



FLOOR STANDING MIXER WITH DIVERTER & HANDHELD SHOWER(BRASS)

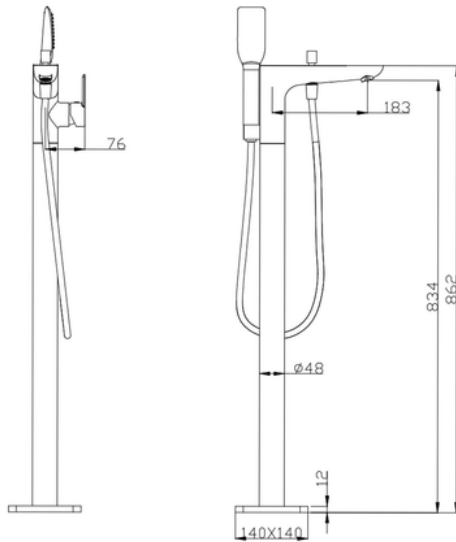


Cod. **DA-CH0124.BS**
CHROME FLOOR STANDING MIXER WITH
DIVERTER & HANDHELD SHOWER(BRASS)



Cod. **DA-OX0124.BS**
BLACK FLOOR STANDING MIXER WITH
DIVERTER & HANDHELD SHOWER(BRASS)

• TECHNICAL DRAWING •



• SPECIFICATIONS •

- Solid brass with chrome finish
- A knob to divert water to spout or handheld shower
- Solid brass water spout
- Solid brass hot & cold water hoses
- Stainless steel handheld hose
- ABS handheld shower
- Brass support tube
- ZN alloy mixer handle
- Stainless steel bottom cover
- Smooth water flow & handheld shower pattern
- Bottom Cover Plate height: 12mm
- Floor mounted
- Ceramic disc cartridge for smooth & long-lasting operation
- **Note: With embedded box, which should be installed before flooring**
- Australian Standard, WELS Approved
- WELS License No. 1554
- WELS REG No. S12958
- WELS star rating: 3 star, 9L/M
- 15 years warranty



For detailed information, please see our website www.dellarte.com.au

Legal disclaimer: The details provided by this file have an informational purpose, thus no contractual value. To obtain further information about the material and the installation, please contact one of our sales advisors. DELL'ARTE Pty Ltd. reserves the right to modify or delete any information regarding its products. Weights, measurements and colours may be subject to small variations.

The copyright of this Fact Sheet, all content, graphic design and codes belongs to DELL'ARTE Pty Ltd. and therefore, reproduction, distribution, public communication, law. transformation or any other activity that can be done with the contents or even quoting the sources, without written consent is prohibited by DELL'ARTE Pty Ltd. All trade names, trademarks and distinctive signs of any kind on this Fact Sheet are property of their owners and are protected by law.