



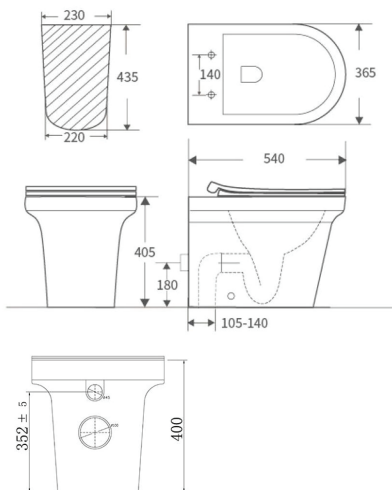
TOILET

Rimless Flushing Toilet



Cod. **DA-BL-101N-FST-A**
540×365×405mm

· TECHNICAL DRAWING ·



· SPECIFICATIONS ·

- Back to wall floor pan
- Self-clean glazing
- Rimless dual flush system
- Pipe glazed with antibacterial
- Universal installation - Back and bottom entry
- S or P trap installation
- Water efficient 4.5/3L
- UF soft close seat cover
- For installation with the Naga in-wall cistern



For detailed information, please see our website www.dellarte.us

Legal disclaimer: The details provided by this technical file have an informational purpose, thus no contractual value. To obtain further information about the materials and the installation, please contact one of our sales advisors. DELL'ARTE Pty Ltd. reserves the right to modify or delete any information regarding its products. Weights, measurements and colours may be subject to small variations.

The copyright of this Fact Sheet, all content, graphic design and codes belongs to DELL'ARTE Pty Ltd. and therefore, reproduction, distribution, public communication, transformation or any other activity that can be done with the contents or even quoting the sources, without written consent is prohibited by DELL'ARTE Pty Ltd. All trade names, trademarks and distinctive signs of any kind on this Fact Sheet are property of their owners and are protected by law.