

EAST LONDON

CLOTH

*Classic cafe poles*



[www.eastlondoncloth.co.uk](http://www.eastlondoncloth.co.uk)



# CLASSIC CAFE POLES

*East London Cloth classic brass cafe poles are designed to be the perfect pairing for our range of cafe curtains. Slim and delicate in appearance.*

*Crafted in solid unlaquered brass, with a polished finish, complete with a set of solid end brass brackets and matching screws and a centre bracket for pole width over 120cm.*

Our cafe poles are available in standard widths of 50cm, 75cm, 100cm, 120cm, 150cm, 175cm and 200cm (width inclusive of brackets) ready to cut to your preferred size.

- To ensure the perfect fit and avoid measuring mistakes, have a competent person cut the poles to size on site. We recommend using a hacksaw or angle grinder.
- Please note; our poles are supplied with small slotted screws. These are only suitable to be screwed directly into wood or PVC, they are too small to be fitted into masonry or plasterboard.
- Poles widths of 150-200cm supplied in two pieces and will need to be fitted with a central support bracket to create the join. The central support bracket has a circular base, with a diameter of 27mm.



*Pole - Solid brass*

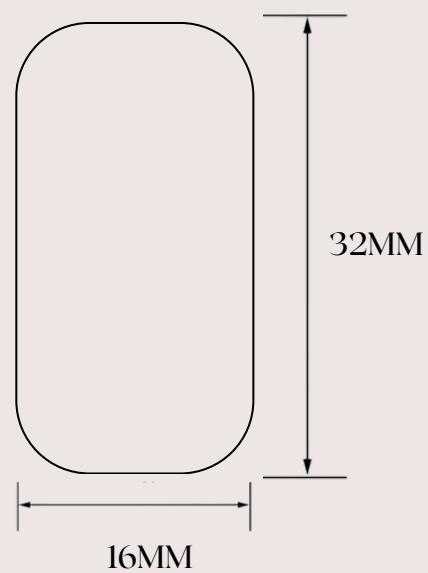
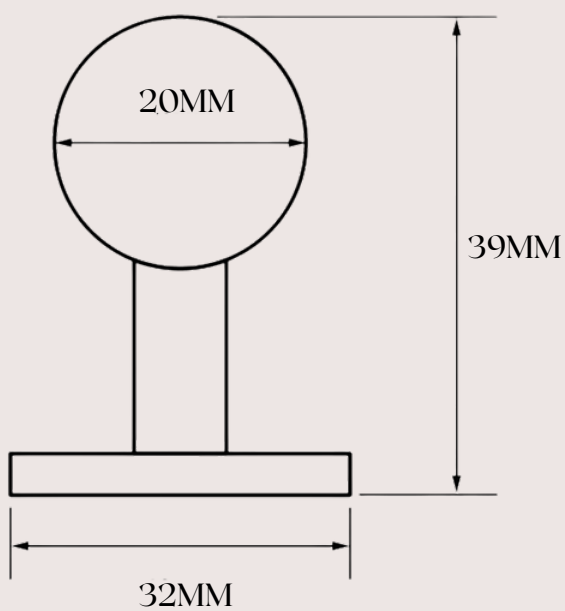
# SOLID BRASS



WIDTH	CENTRE BRACKET	POLE SUPPLIED IN
50cm	no	1 piece
75cm	no	1 piece
100cm	no	1 piece
120cm	no	1 piece
150cm	yes	2 pieces
175cm	yes	2 pieces
200cm	yes	2 pieces



# BRACKETS







EAST LONDON  
EAST LONDON  
CLOTH  
EST 2020