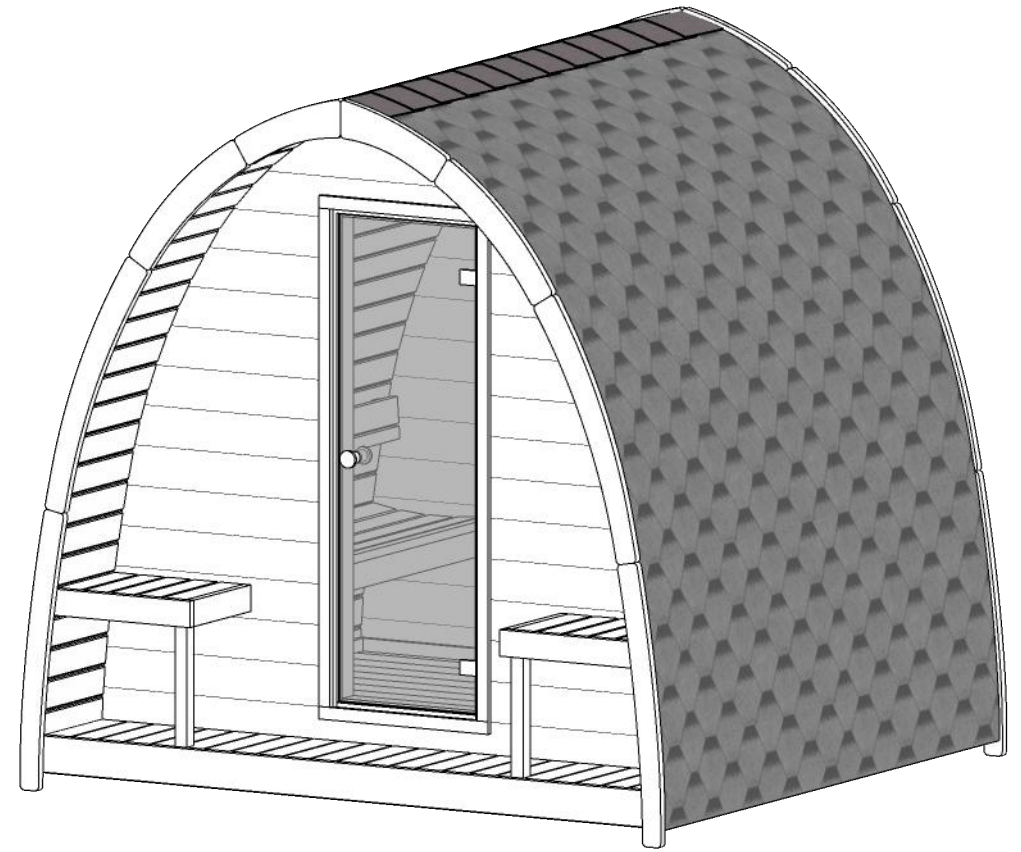
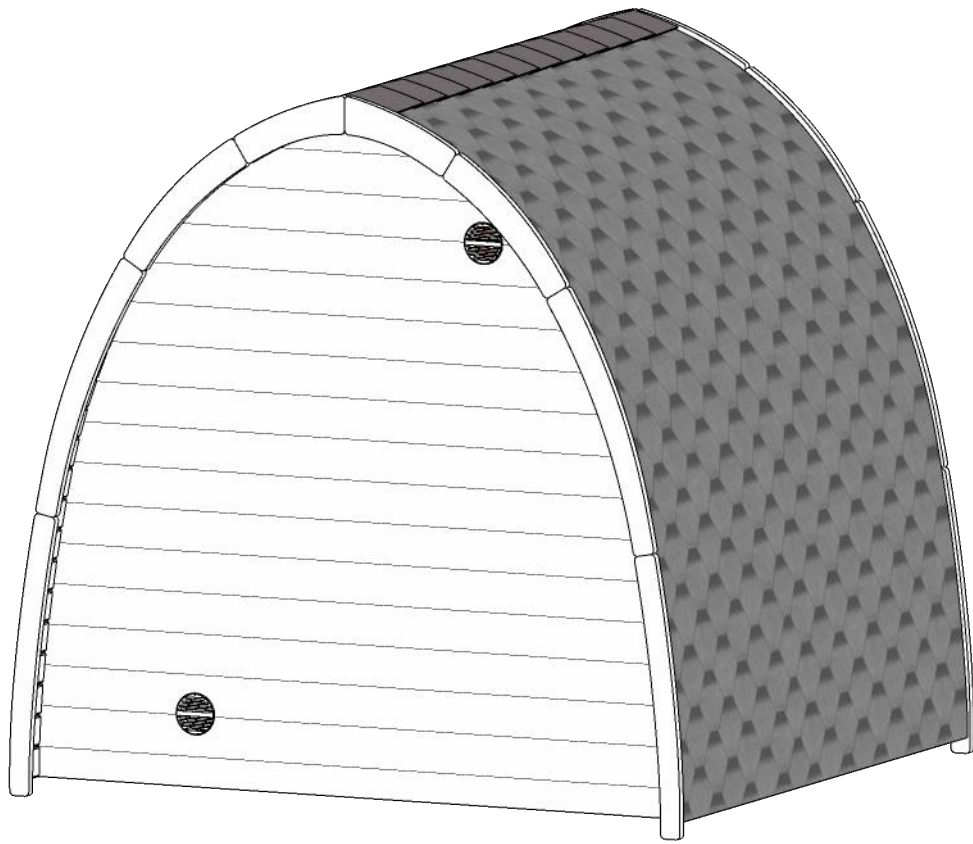


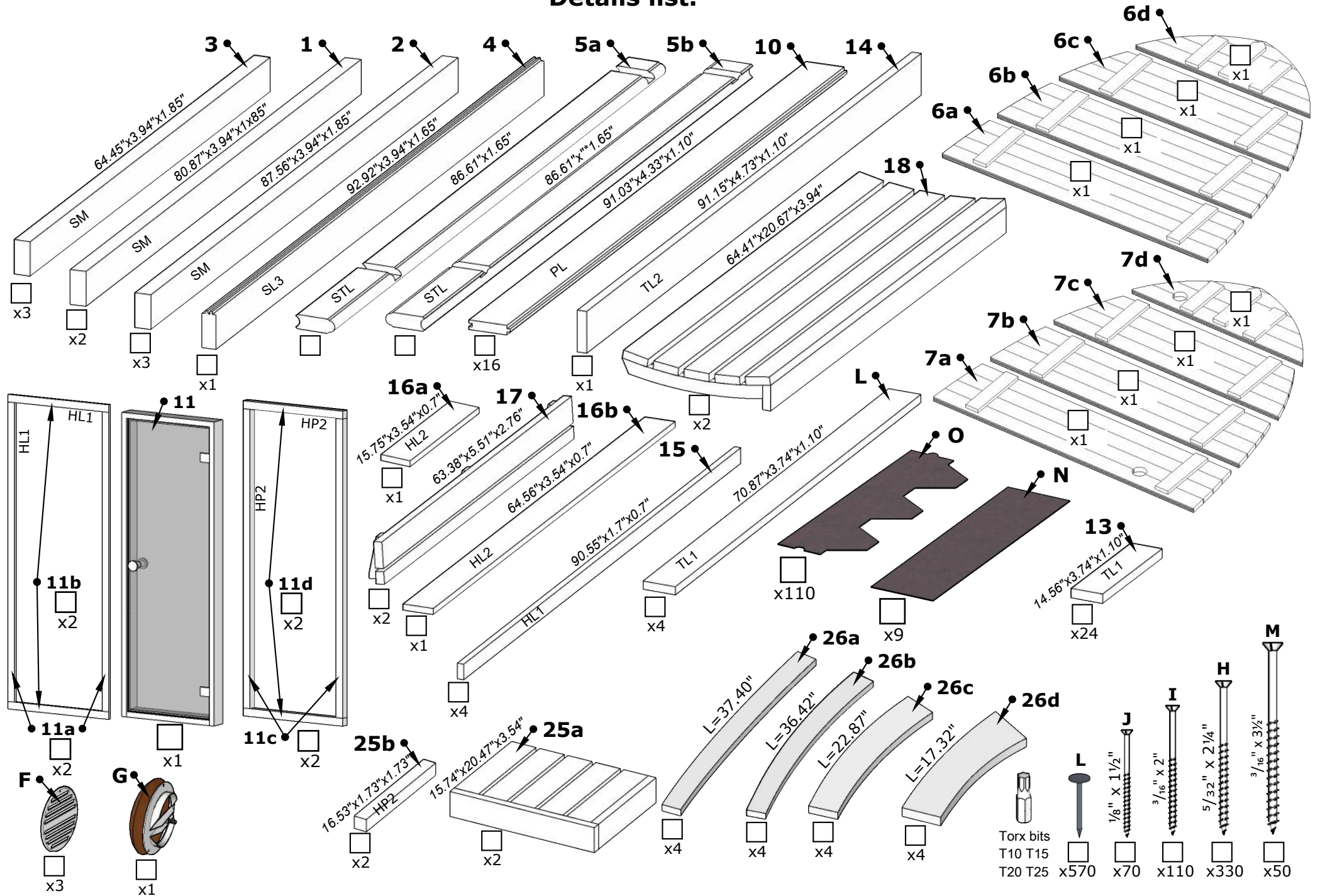


## Garden-Series G3 Outdoor Sauna

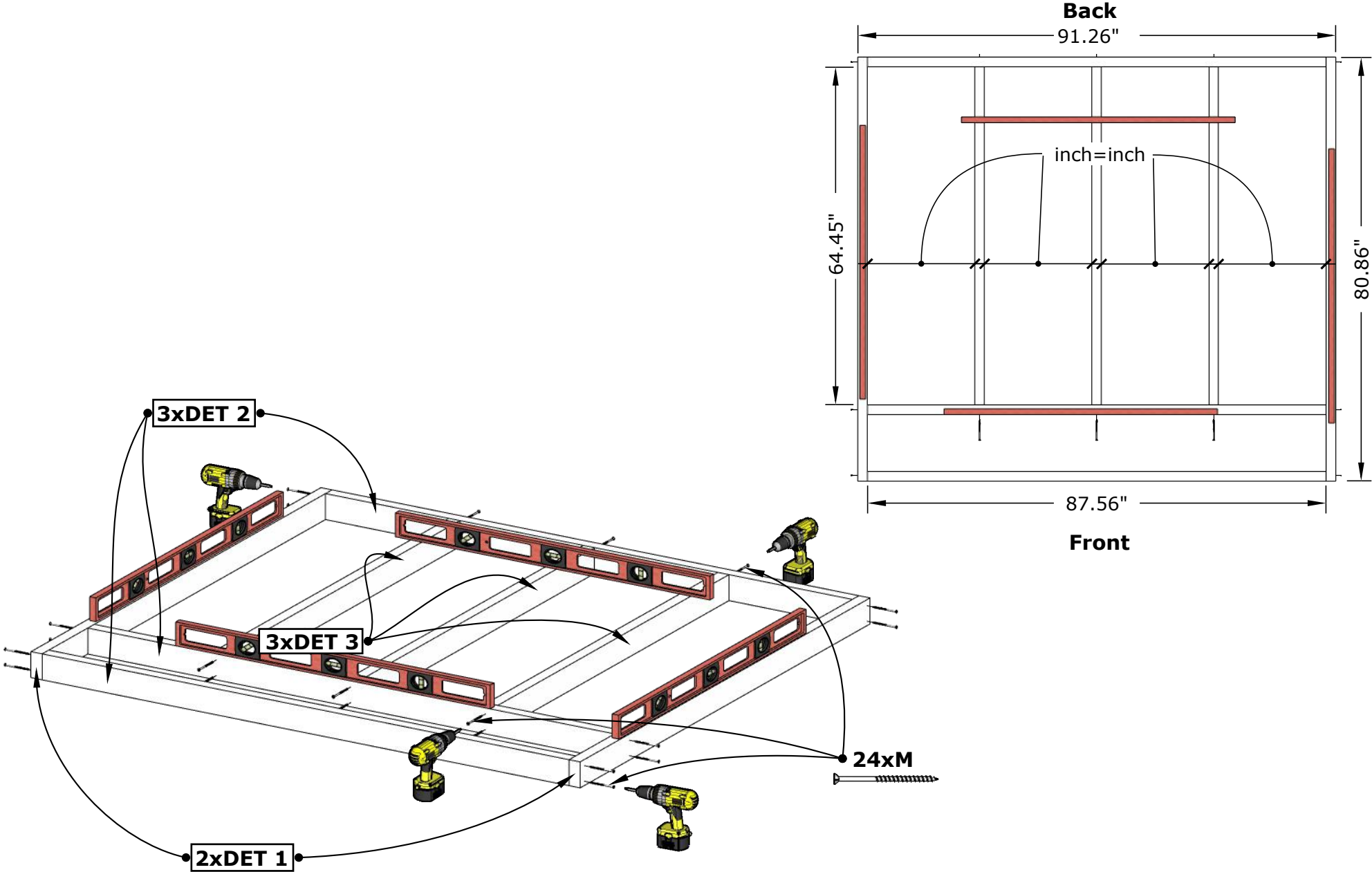


# G3 Outdoor Sauna

## Details list.



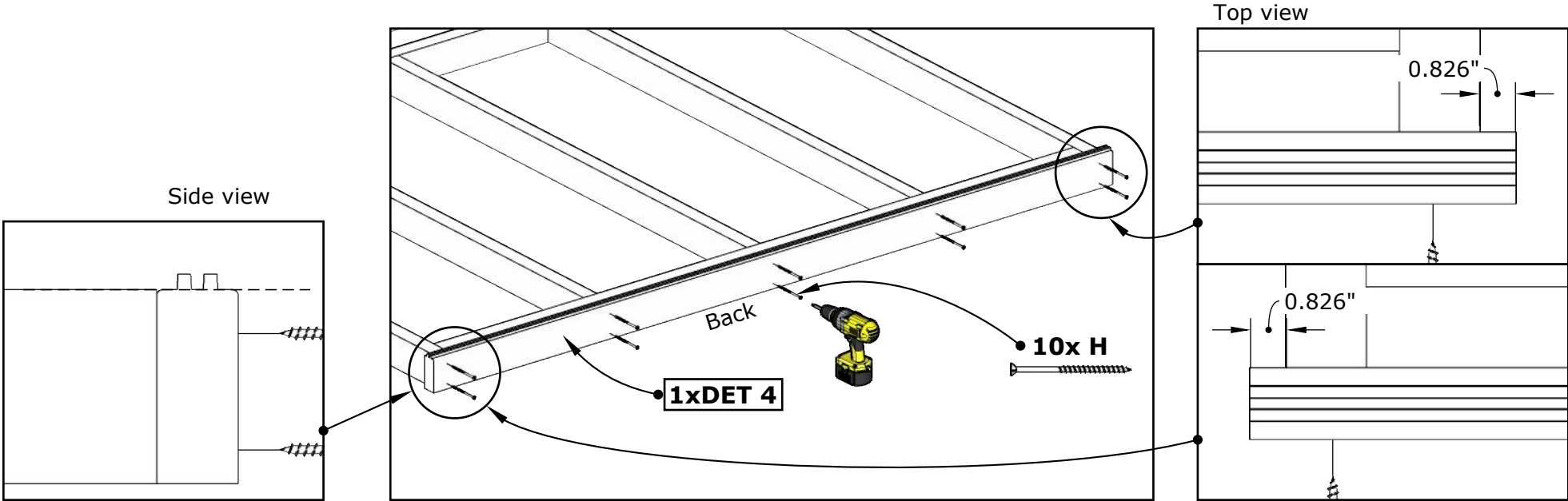
# G3 Outdoor Sauna



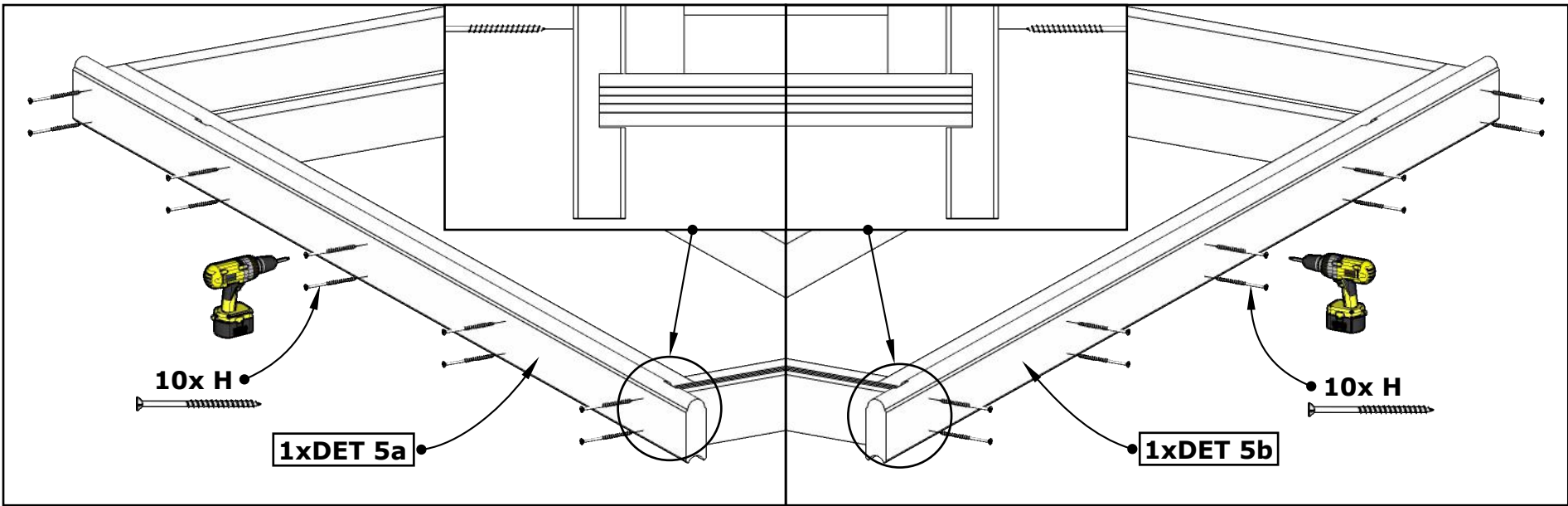
1.

I

# G3 Outdoor Sauna



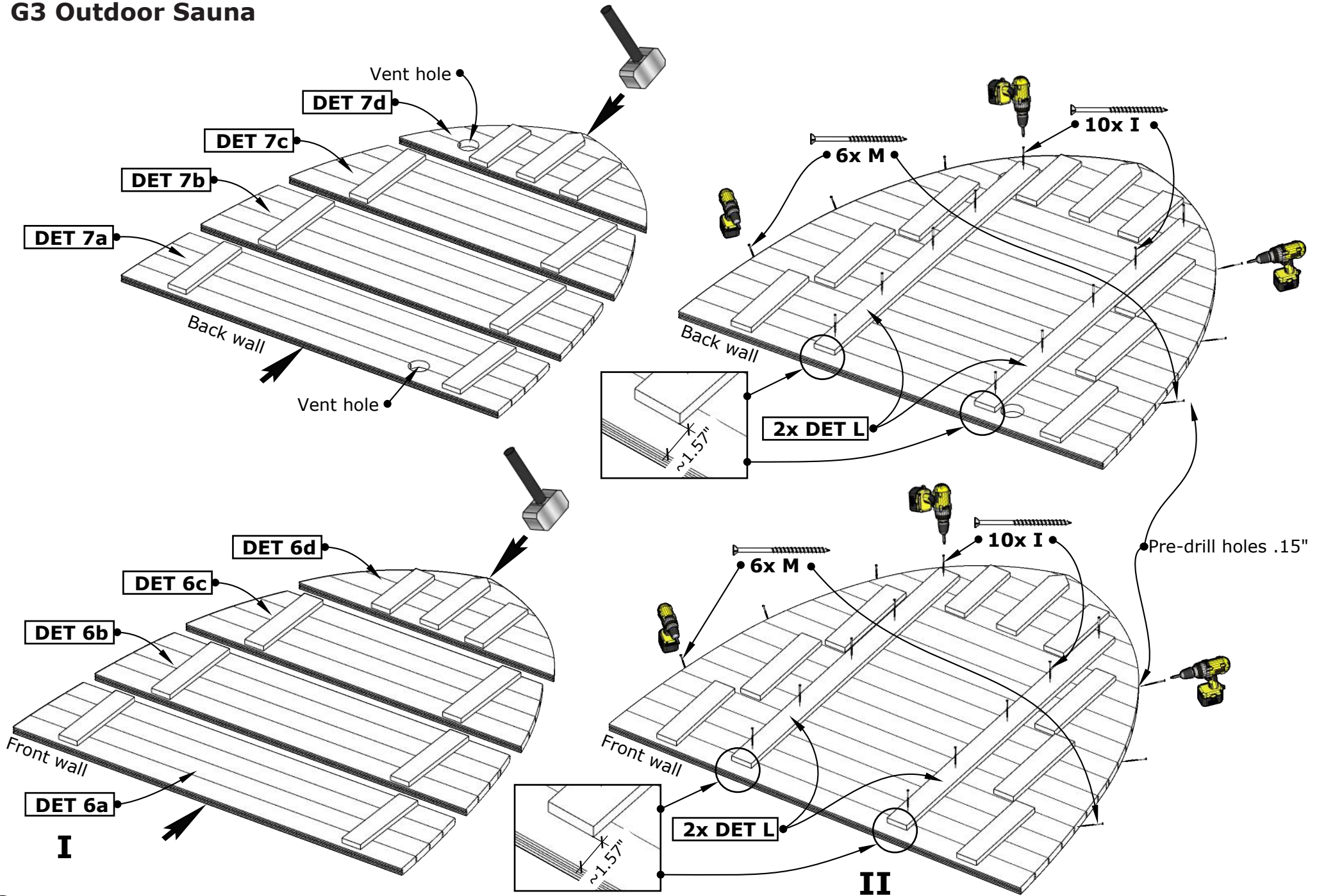
I



II

2.

# G3 Outdoor Sauna



3.

# G3 Outdoor Sauna



Use water level!

1x DET 5a  
1x DET 5b

Fix temporarily to support walls.

4x H

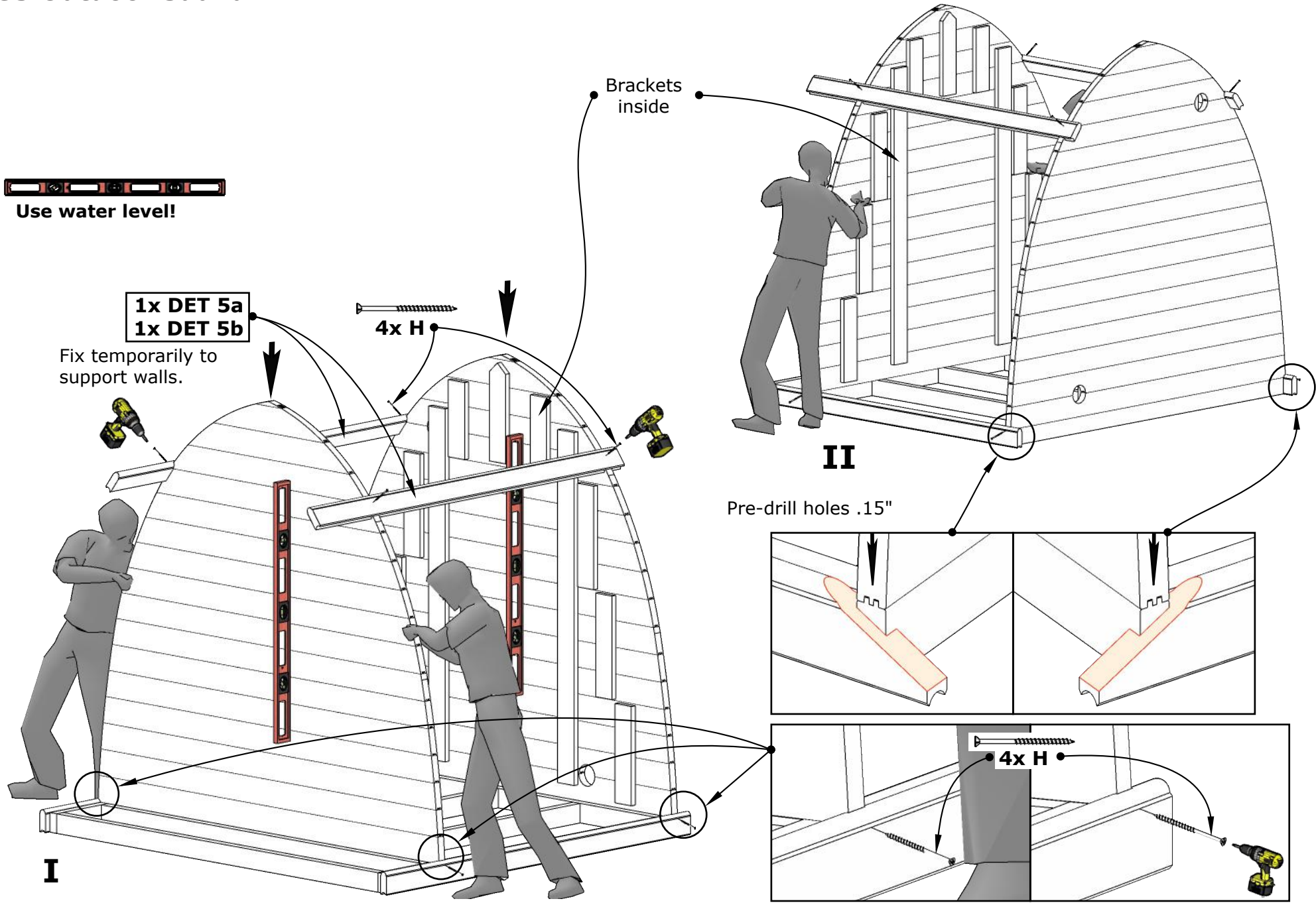
Brackets inside

II

Pre-drill holes .15"

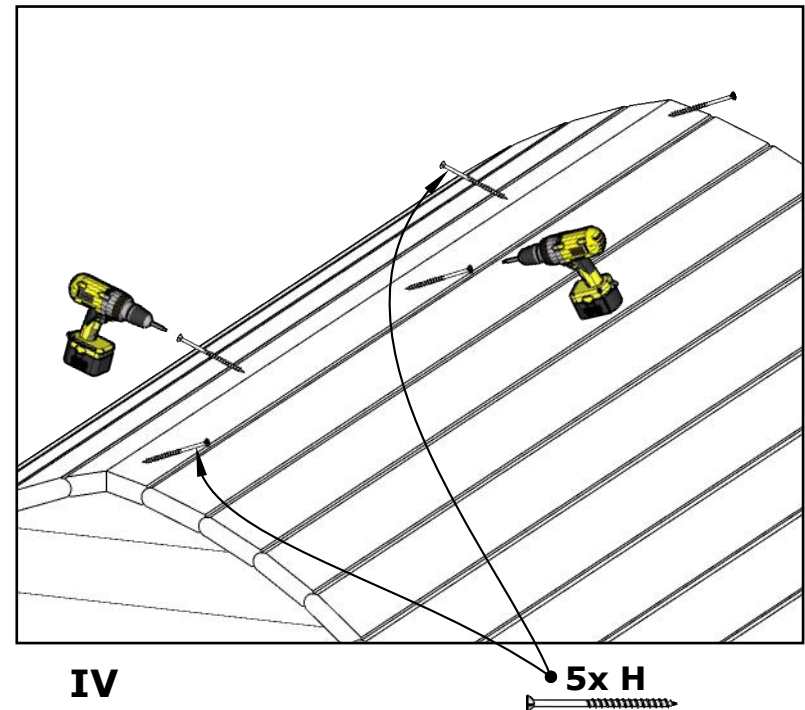
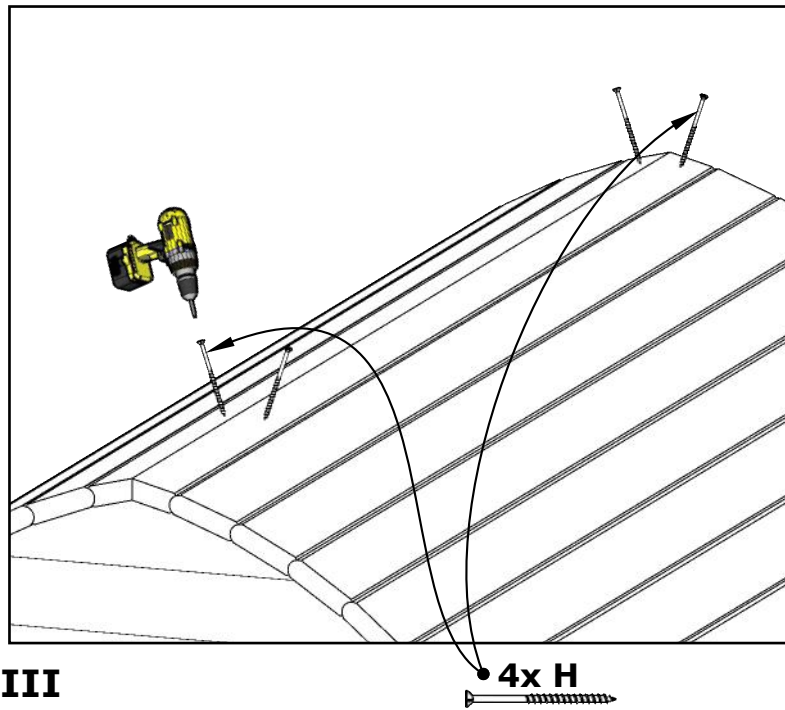
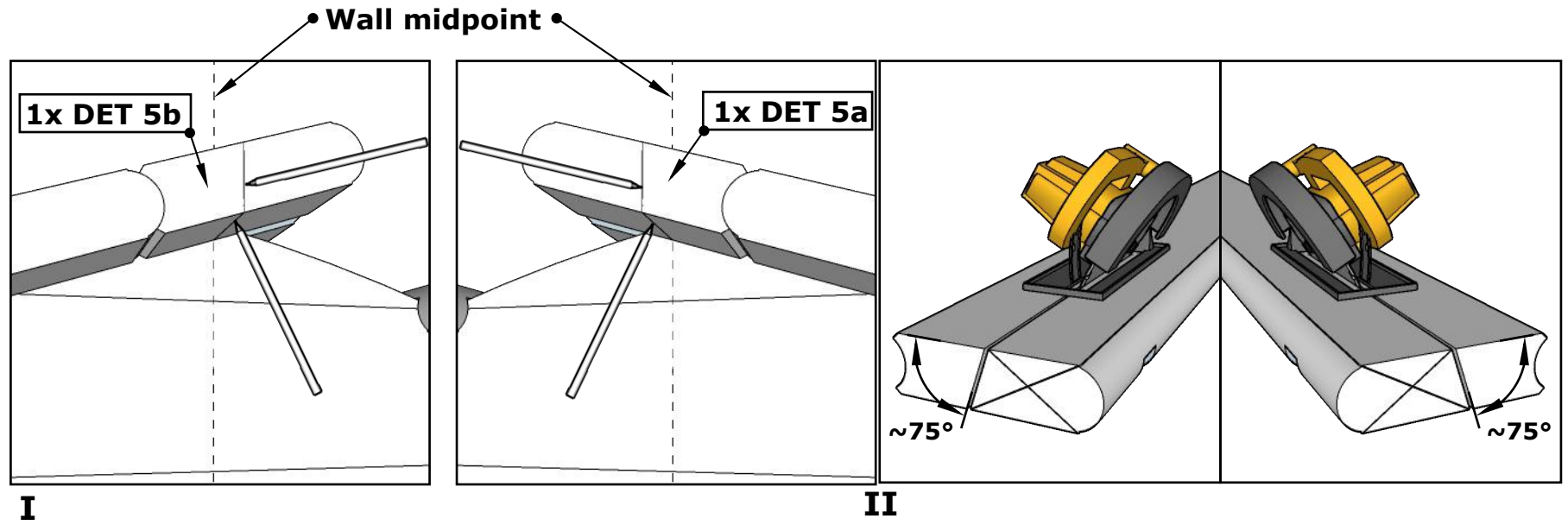
I

4.





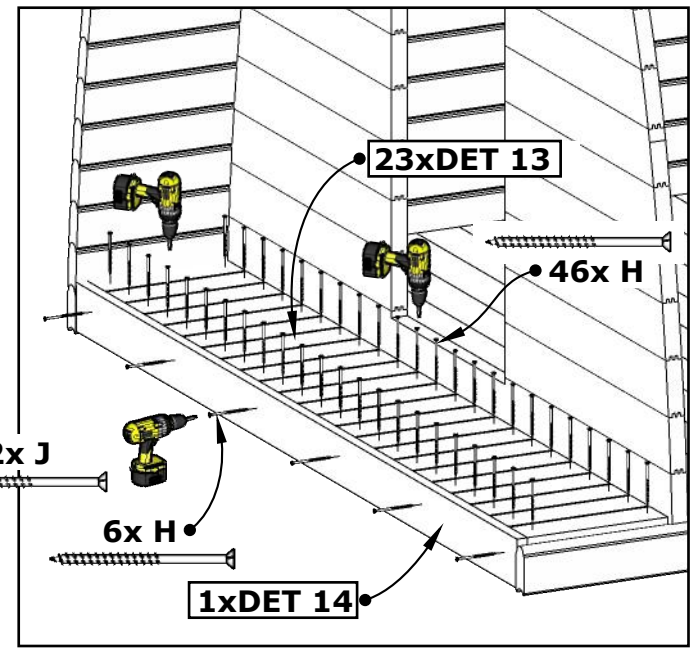
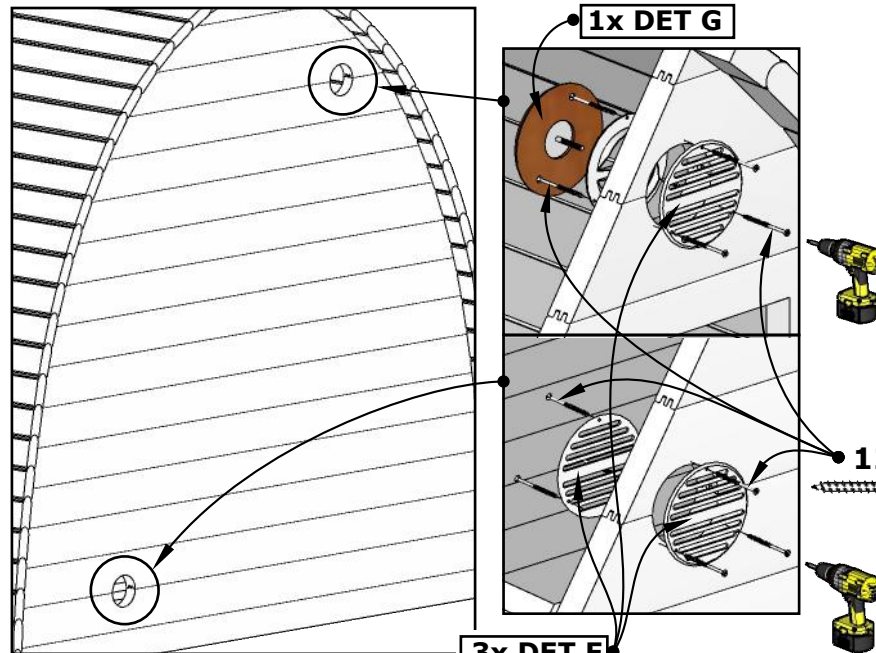
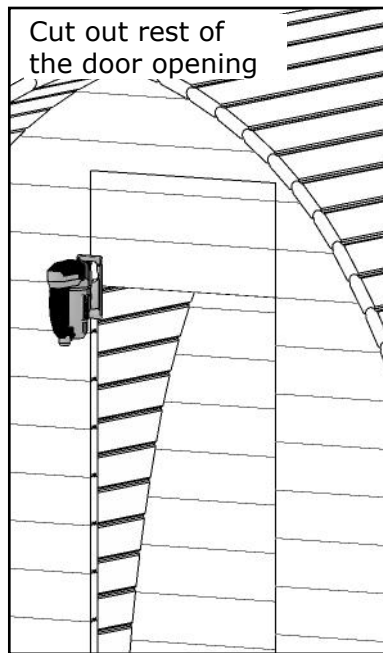
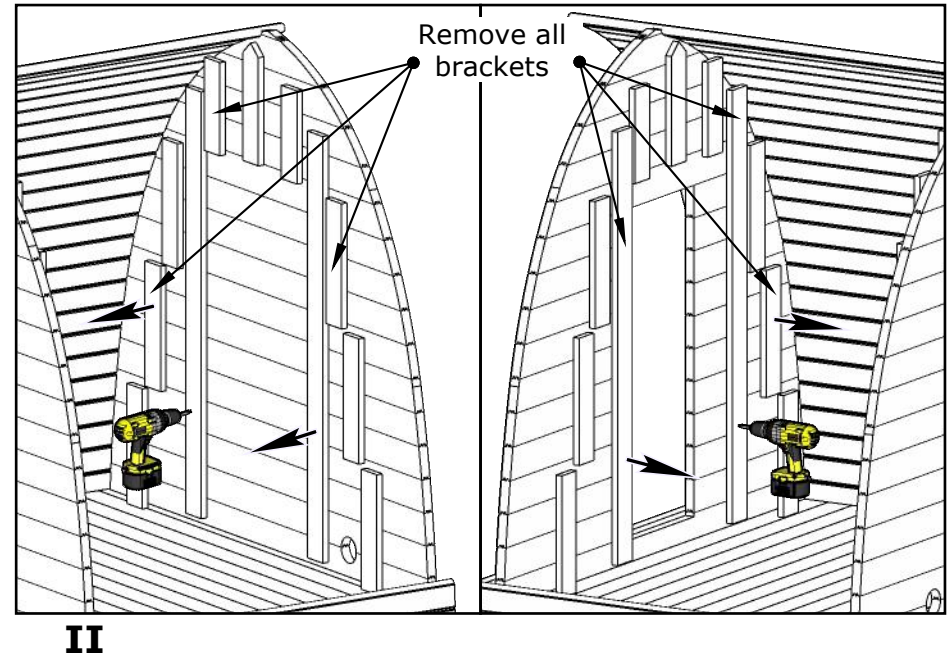
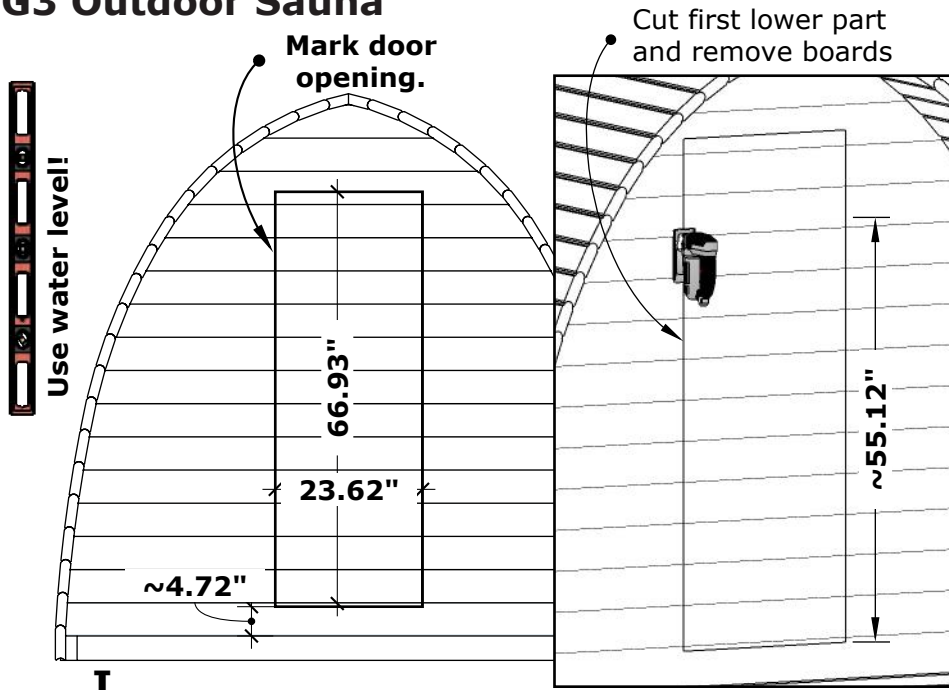
# G3 Outdoor Sauna



6.



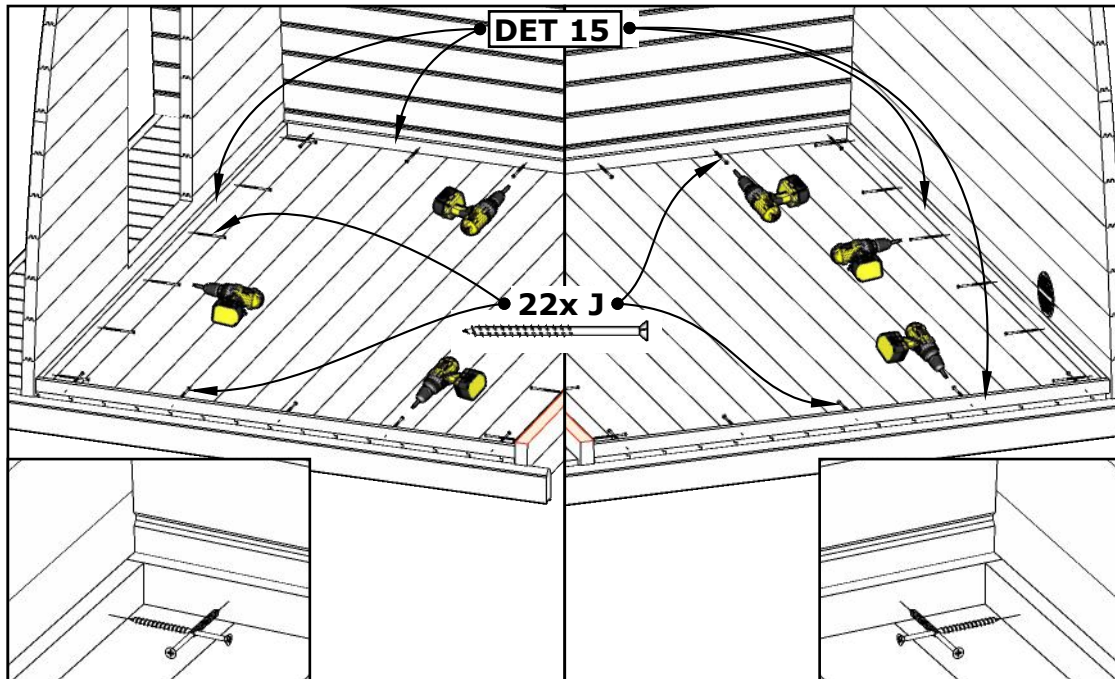
# G3 Outdoor Sauna



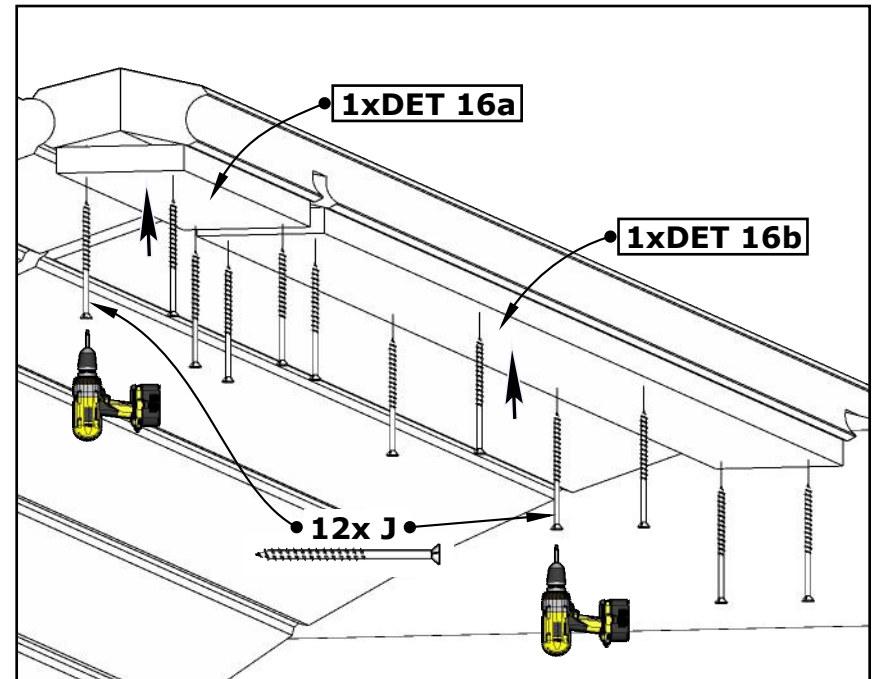
7.

# G3 Outdoor Sauna

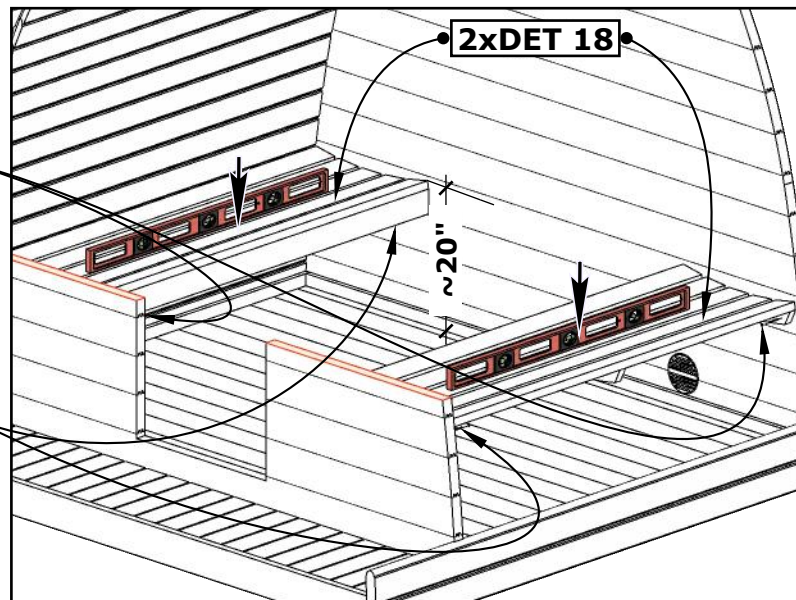
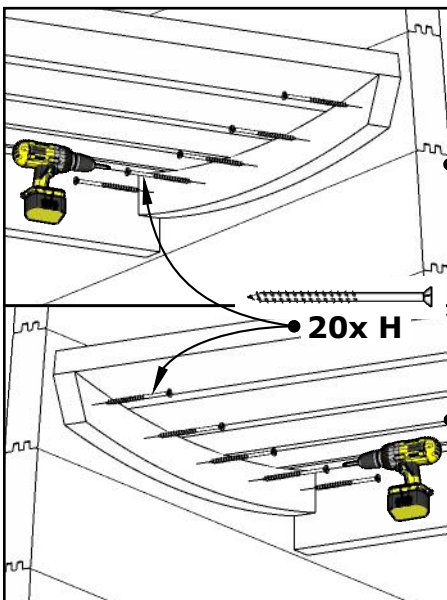
Cut floor slats from DET 15



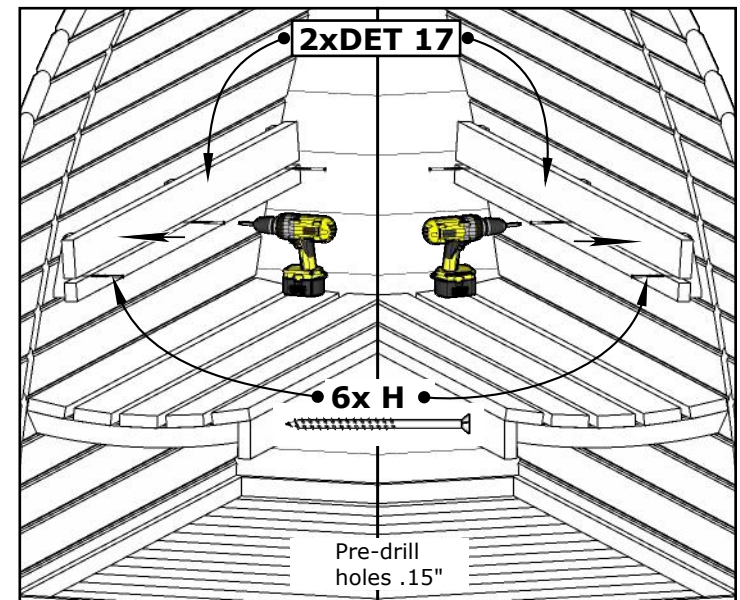
**I**



**II**



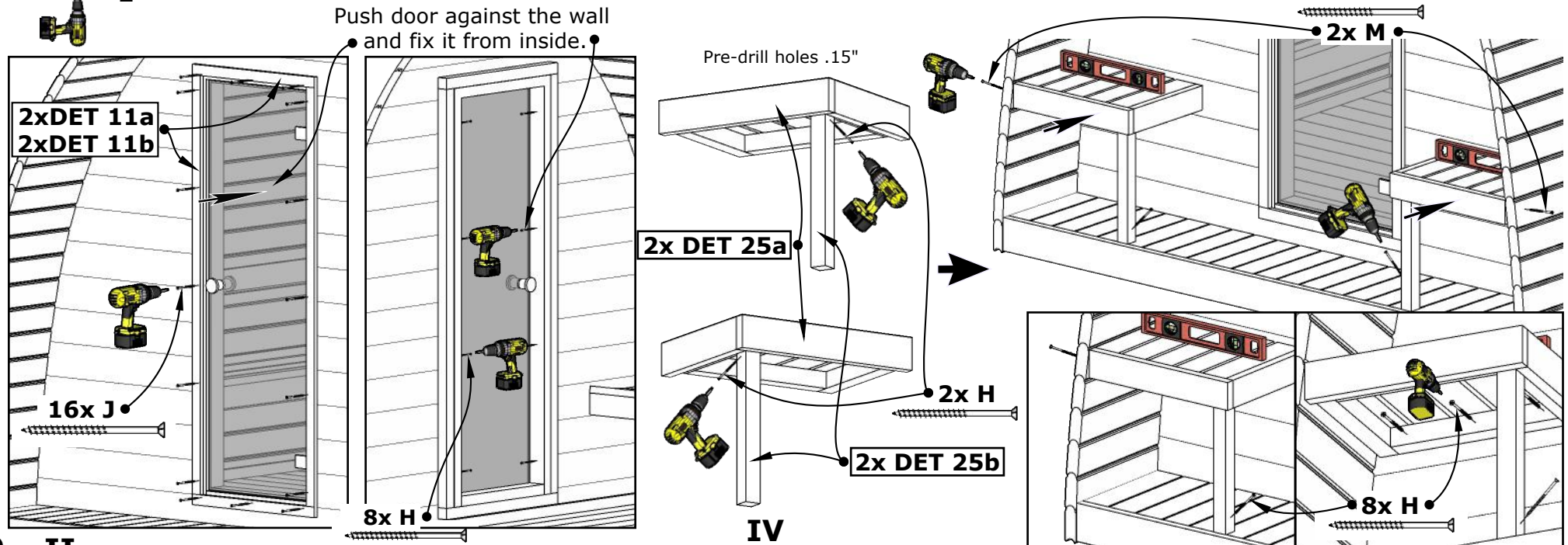
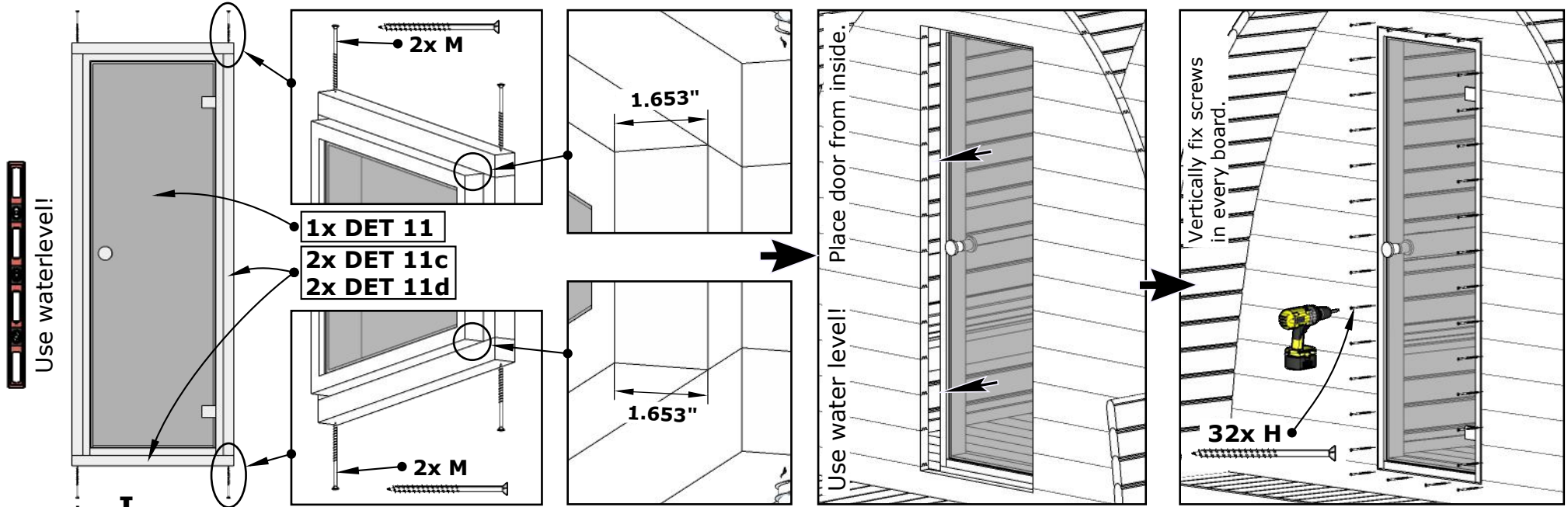
**III**



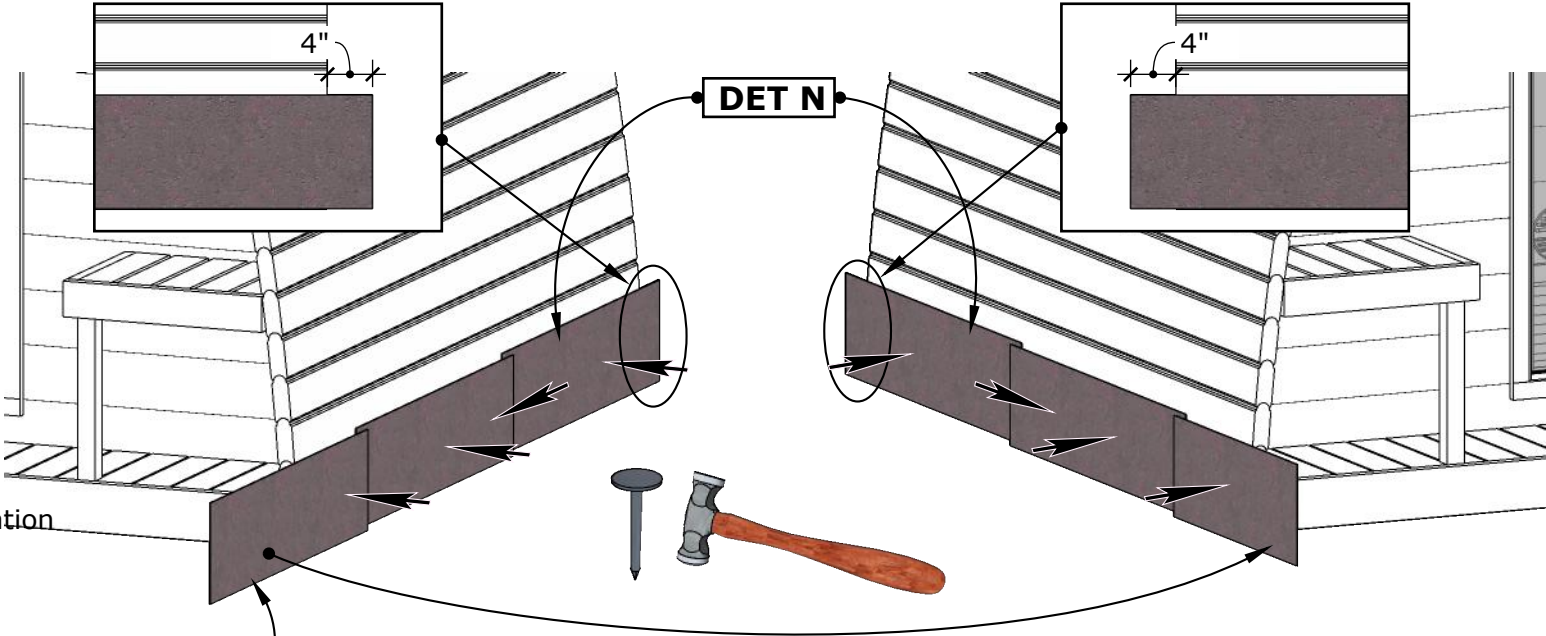
**IV**

**8.**

# G3 Outdoor Sauna



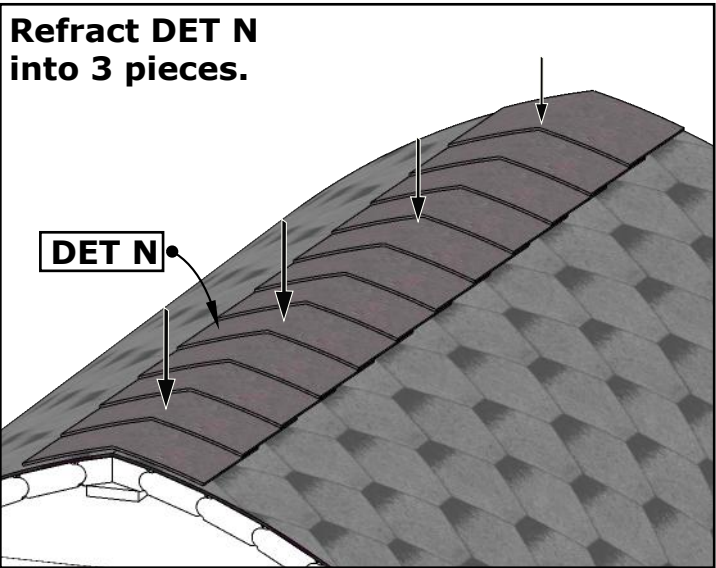
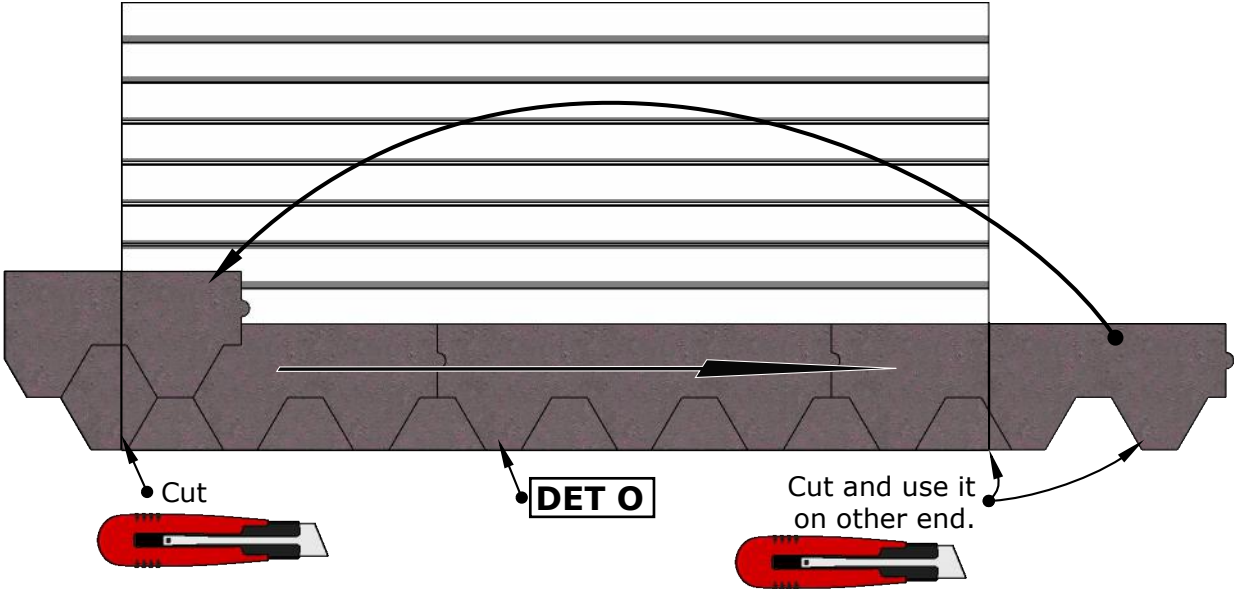
# G3 Outdoor Sauna



Check roof shingles installation manual inside package.

Cut and use it on other side

I



III

# G3 Outdoor Sauna

