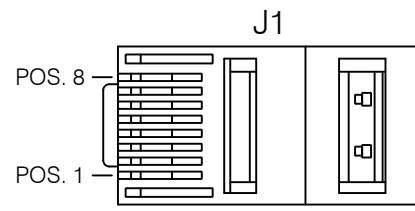


| J1 -- WIRE CONNECTION TABLE | | |
|-----------------------------|--------------|--------------|
| 8 | BROWN | TWISTED PAIR |
| 7 | WHITE/BROWN | PAIR |
| 6 | WHITE/BLUE | |
| 5 | NC - BLUE | |
| 4 | NC - GREEN | |
| 3 | NC - WHT/GRN | |
| 2 | ORANGE | TWISTED PAIR |
| 1 | WHITE/ORANGE | PAIR |



M3525
RJ-45
8 PIN CONNECTOR

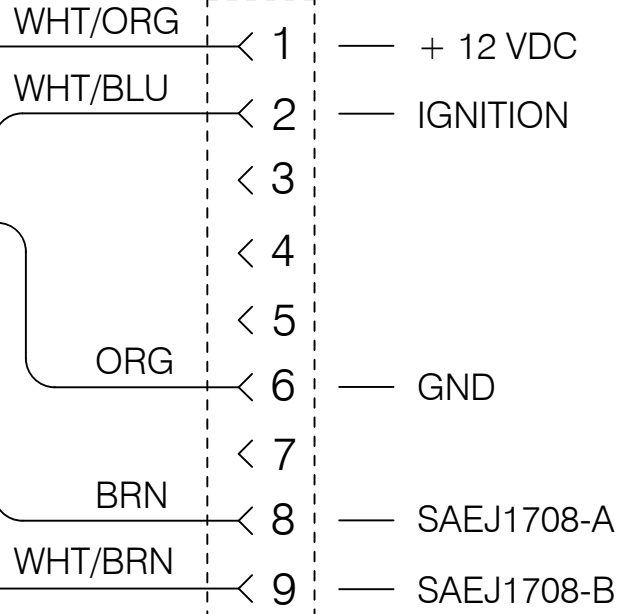
M0213
#7 BLK 11"
TUBING

M3498
1.6 INCHES
SHRINK TUBING

M3498
1.6 INCHES
SHRINK TUBING

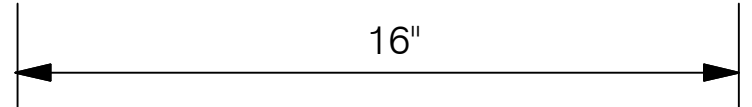
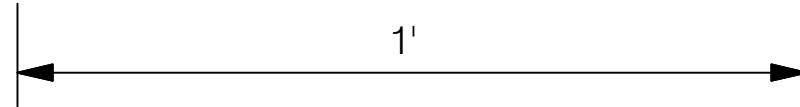
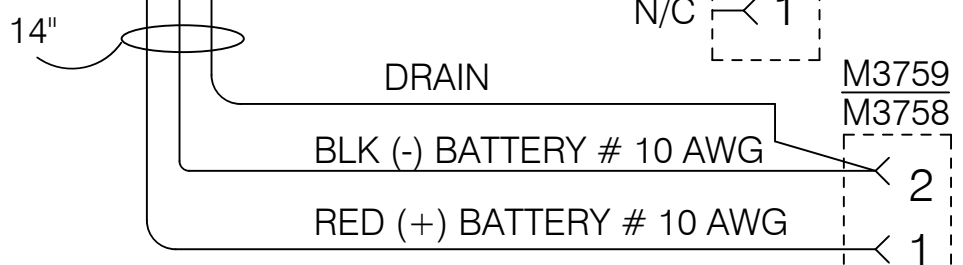
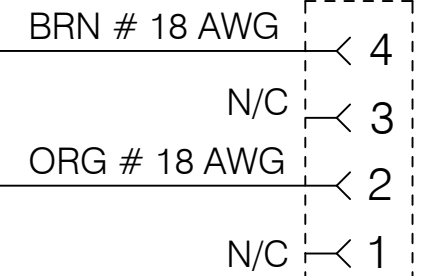
M0213
#7 BLK 15"
TUBING

M1033
DB9 HOOD
M3494
DB9 FEMALE



- ORANGE # 18 AWG
OPTIONS
- BROWN # 18 AWG
PARKING BRAKE OVERRIDE
- BLACK # 10 AWG
- RED # 10 AWG

M3526
9/C DIGITAL LB POWER CABLE



- NOTES:
- M3526 CABLE
 - 16" STRIP DB9 CONNECTOR END
 - 12" STRIP RJ-45 END AND CUT OFF DRAIN LEAD
 - SHORTEN POWER LEADS TO 14"

| UNLESS OTHERWISE SPECIFIED DIMENSIONS ARE IN INCHES. | | | | TOMAR ELECTRONICS INC. 2100 WEST OBISPO GILBERT, ARIZONA 85233 | |
|---|-----|----------|------------------|---|--|
| TOLERANCES: DECIMALS .XX ± .XXX ± ANGLES ± | REV | DATE | DESCRIPTION | 970-C-LD-xx DIGITAL PWR CABLE WIRING DIAGRAM TOMAR PART NO: SA2082A-xx-LD DRAWING NO. REV 14184 04 | |
| SCALE DO NOT SCALE DRAWING | 01 | 07-28-09 | CHG M0213 PN | | |
| DRAWN AML 05-16 | 02 | 05-12-10 | ECO 1761 | | |
| APPROVED | 03 | 02-14 | ADD SA2082-17-LD | | |
| © COPYRIGHT 1999 TOMAR ELECTRONICS INC. | 04 | 07-11-16 | "A" Rev ECO 2435 | FP _____ TE _____ | |