



Smart Solutions for **SERIOUS TOWING**

The Move Over Law requires motorists to move over and change lanes for safe clearance, to any stationary vehicle with flashing or warning lights, including tow trucks. When trucks are equipped with adequate warning lights, the vehicle can be seen from a safer distance. Therefore, giving drivers approaching from both directions the opportunity to **MOVE OVER** and give both trucks and the drivers the respect they deserve. After all, in most states, tow truck operators are considered as first responders and deserve better and safer equipment.

TRX

TRX Series is all about illumination. With visible white-light output, TRX meets illumination needs whether conditions are clear, rainy, smoky, foggy, etc. With rugged industrial construction the TRX will be there when all other lights fail.

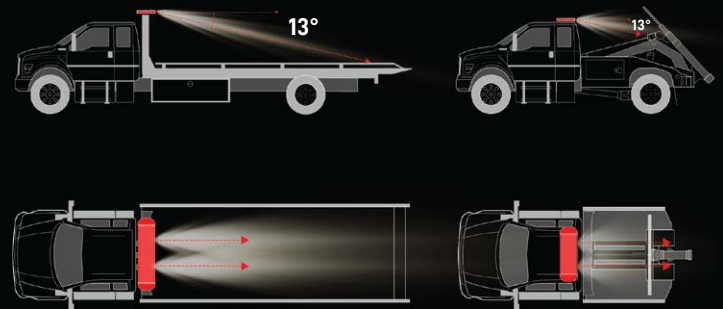


970

The Scorpion™ and Black Widow lightbars are built to be the most rugged lightbars on the market, this means they can answer the call when lives depend on it, delivering uncompromising performance no matter the climate.



Lightbar with optional 13° tilt down rear work lights to light up your scene for another level of safety.



iLED™

The iLED™ series delivers unprecedented functionality in an extremely rugged platform unlike anything else in the industry. It provides the best option to keep you and your team safe, even in the worst lighting conditions.



943

The 943 Switch box is a compact, programmable, full function lighting controller featuring two warning mode switches, two auxiliary switches, a step through arrow switch, a dedicated dim switch that can be used as a third auxiliary switch, and a progressive system off switch. Control your entire system from this one slim line solution.



TOMAR ELECTRONICS, INC. • 2100 W. OBISPO AVE GILBERT, AZ 85233 USA • TEL: 800-338-3133 • FAX: 800-688-6627