



## TRT-10x-DW1-1 Model Operation

### Layout

The TRT-10x-DW1-1 models consist of 2 lamps. Both lamps are Color/White lamps. See Figure 1.

### Wiring

#### *Control Cable*

Activating the Lightbar is done by applying +Vdc to one or more of the lightbar control wires. The control wires consume only a few milliamps of current and can be used with virtually any on/off switch. There are five control wires in the Control Cable plus one +Vdc supply feed.

The control wires are color coded and control the functions shown below.

- Orange wire - Group 1 White Lamp
- Blue wire - Group 2 White Lamp
- Brown/White wire - Warning Patterns on Color lamps
- Brown wire - Steady Color Lamp
- Green wire - DIM Function
- Red/White wire - +Vdc

**Orange Wire** – Activates the Group 1 white lamp. See Figure 1.

**Blue Wire** – Activates the Group 2 white lamp. See Figure 1.

**Brown/White Wire** – Activates the warning patterns using the Warning lamps. See Figure 1.

**Brown Wire** – Activates one Steady lamp at Warning position 2. See Figure 1.

**Green Wire** – Activates the low intensity or dim setting.

**Red/White Wire** – In all lightbars the Red/White wire is a +Vdc feed that can be used to power one or more switches.

The priority of the functions, from highest to lowest, are:

- DIM Function (Green wire)
- Group 1 White Lamp (Orange wire)
- Group 2 White Lamp (Blue wire)
- Steady Color Lamp (Brown wire)
- Warning Patterns on Color lamps (Brown/White wire)



## Warning Mode Lamp Flash Patterns:

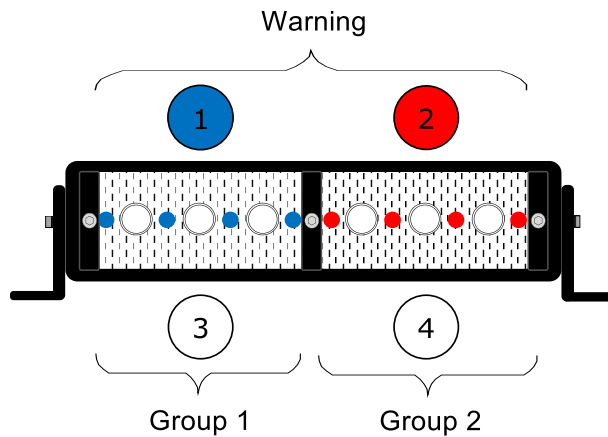


Figure 1. TRT-10x-DW1-1 (Blue/White and Red/White lamps used for illustration only, they could be any Color/White lamps.)

### Available Flash Patterns and Rates:

- 1) **NEOBE 150 ALTERNATE**                      **\*\*\* DEFAULT BROWN/WHITE WIRE**
- 2) NEOBE 150 SIMULTANEOUS
- 3) NEOBE 150 COMBINATION
  
- 4) NEOBE 75 ALTERNATE
- 5) NEOBE 75 SIMULTANEOUS
- 6) NEOBE 75 COMBINATION
  
- 7) DOUBLE FLASH 250 ALTERNATE.
- 8) DOUBLE FLASH 250 SIMULTANEOUS
- 9) DOUBLE FLASH 250 COMBINATION
  
- 10) DOUBLE FLASH 125 ALTERNATE
- 11) DOUBLE FLASH 125 SIMULTANEOUS
- 12) DOUBLE FLASH 125 COMBINATION
  
- 13) SINGLE FLASH 375 ALTERNATE.
- 14) SINGLE FLASH 375 SIMULTANEOUS
- 15) SINGLE FLASH 375 COMBINATION
  
- 16) SINGLE FLASH 150 ALTERNATE
- 17) SINGLE FLASH 150 SIMULTANEOUS
- 18) SINGLE FLASH 150 COMBINATION
  
- 19) SINGLE FLASH 75 ALTERNATE
- 20) SINGLE FLASH 75 SIMULTANEOUS
- 21) SINGLE FLASH 75 COMBINATION
  
- 22) MULTI-FLASH 1 (1, 8, 13, 2)
- 23) MULTI-FLASH 2 (4, 11, 16, 20)



### *Changing Patterns and Rates:*

#### To Enter Programming Mode:

- 1) Apply power and ground to red and black input wires, ensure no other wires are powered
- 2) Attach the Green wire to +Vdc.
- 3) Wait at least 1 second and then tap the Brown wire to +Vdc wire twice. If entry into Program Mode is successful, the two Warning lamps will flash three times.

Note: The Double Tap of the Brown wire must occur within 4 seconds of connecting the Green wire to +Vdc, otherwise the lightbar will NOT enter Program Mode and will operate normally.

#### To change the Flash Pattern:

- 4) To advance the flash pattern, tap the Brown wire to +Vdc once.
- 5) To go back one step, tap the Brown wire to +Vdc twice.
- 6) To return to the factory default, tap and hold the Brown wire to +12Vdc for three seconds. The warning lamps will flash 3 times.



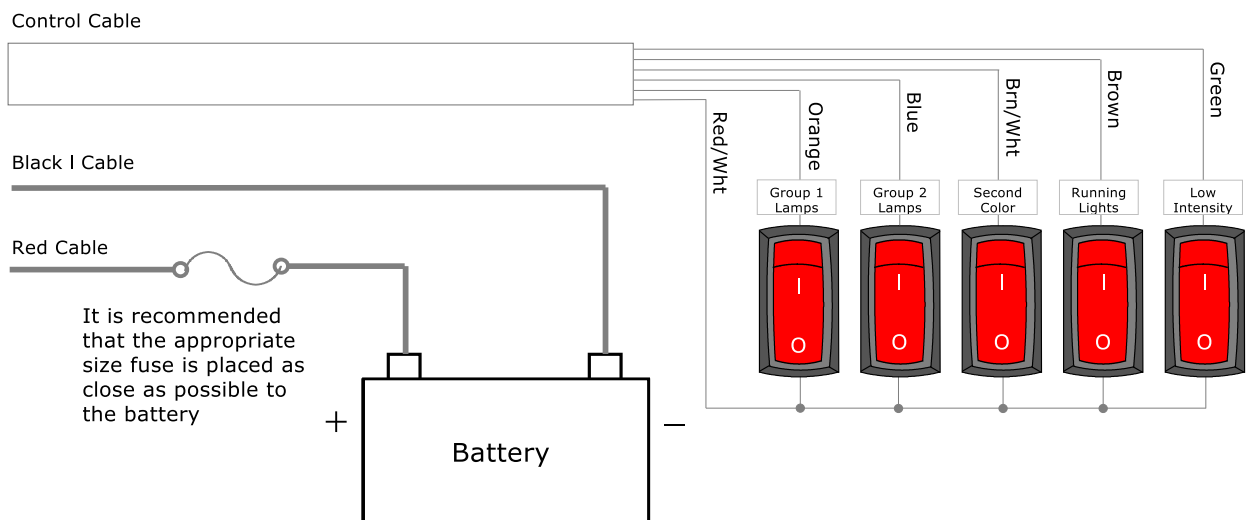
### Wire Runs

The table below lists the maximum recommended wire run for the power and ground cables in feet. The control cable can be the same length as the power cables but 20 gauge wire is sufficient in all cases.

Part Number	Lamps	WIRE GAUGE					
		18	16	14	12	10	8
TRT-03	1	89	142	225	361	575	914
TRT-06	1	51	81	129	206	328	522
TRT-10	2	25	40	64	103	164	261
TRT-15	3		27	42	68	108	174
TRT-20	4		20	31	50	82	130
TRT-25	5		16	25	41	65	104
TRT-30	6			21	34	54	86
TRT-35	7			18	29	46	74
TRT-40	8				25	41	65
TRT-45	9				22	36	57
TRT-50	10					32	52
TRT-60	12					27	43

### Common Switch Wiring Configuration

Wire colors/groups on product may differ from diagram.

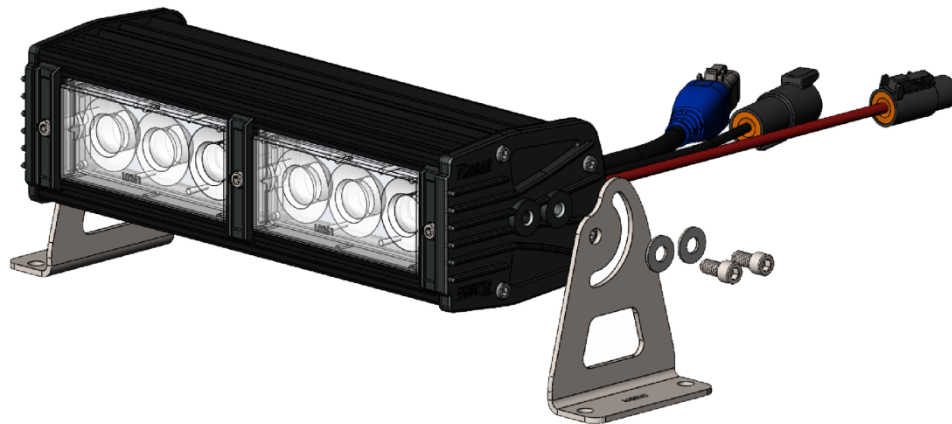




## Mounting

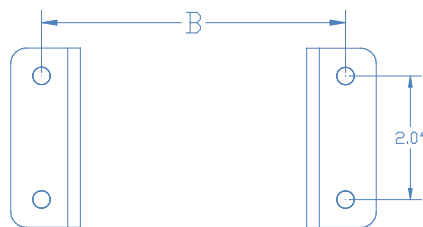
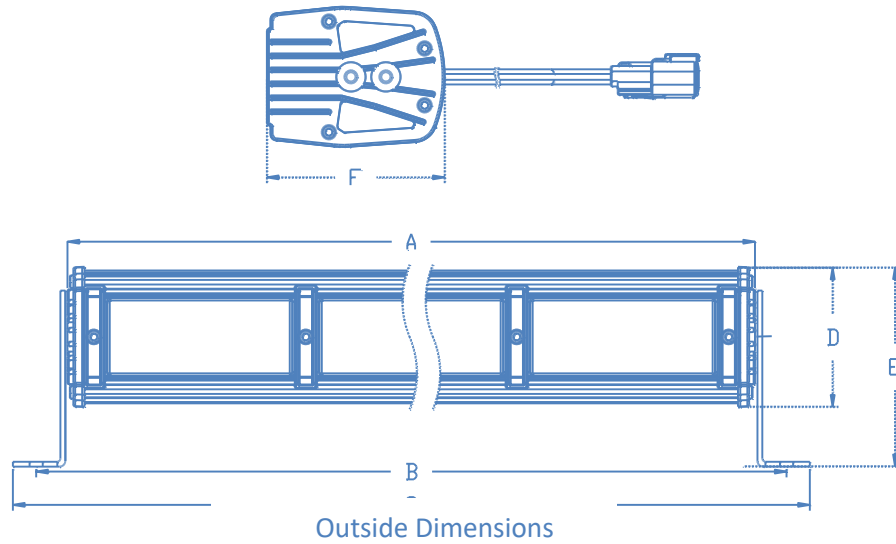
TRT lightbars include an L shape mounting brackets designed to secure the lightbar to a flat surface. The bracket will allow a 135° range of motion. For additional mounting options visit [www.tomaroffroad.com](http://www.tomaroffroad.com).

1. Attach the mounting foot to the lightbar using the 1/4 -20 socket head screws and 1/4" flat washers included with the lightbar, leaving the screws finger tight.
2. Place the lightbar with attached mounting feet on a flat surface that has sufficient strength to support its weight. Using the holes in the mounting brackets as a template mark the location of the mounting holes. The mounting holes in the bracket are designed to free fit 1/4 inch hardware. Recommended drill sizes for 1/4" hardware are 17/64" for clearance holes and 13/64 for taped holes. Note: the hole pattern on the foot is on 2" centers. For the hole spacing between the mounting feet refer to the Dimensions section below.
3. Once the lightbar is secured to the mounting surface, adjust the lightbar to the desired angle and tighten the 1/4-20 socket head screws to approx. 36 in/lb.





## Dimensions



Nominal Length	Lamps	Dim "A"	Dim "B"	Dim "C"	Dim "D"	Dim "E"	Dim "F"
3	1	3.41	4.66	5.66	3.00	4.25	3.82
6	1	5.68	6.93	7.93	3.00	4.25	3.82
10	2	10.23	11.48	12.48	3.00	4.25	3.82
15	3	14.78	16.03	17.03	3.00	4.25	3.82
20	4	19.33	20.58	21.58	3.00	4.25	3.82
25	5	23.88	25.13	26.13	3.00	4.25	3.82
30	6	28.43	29.68	30.68	3.00	4.25	3.82
35	7	32.98	34.23	35.23	3.00	4.25	3.82
40	8	37.53	38.78	39.78	3.00	4.25	3.82
45	9	42.08	43.33	44.33	3.00	4.25	3.82
50	10	46.63	47.88	48.88	3.00	4.25	3.82
60	12	55.73	56.98	57.98	3.00	4.25	3.82



## Recommended Fuse/Breaker Sizing

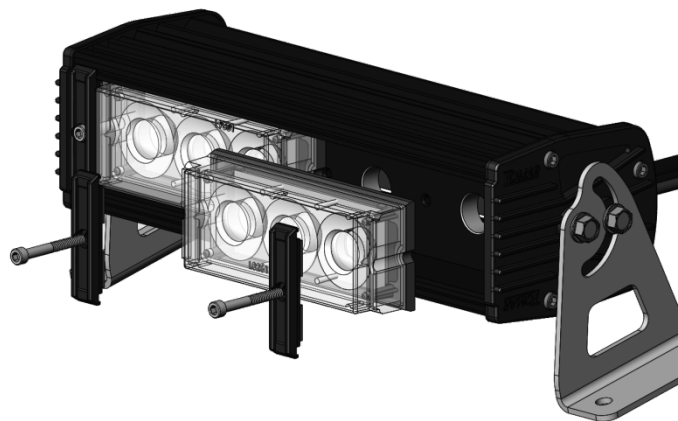
Part Number	Lamps	Amp draw @13.8Vdc	Fuse/Breaker Size (A)
TRT-03	1	1.3	3
TRT-06	1	2.1	5
TRT-10	2	4.2	10
TRT-15	3	6.3	12
TRT-20	4	8.4	15
TRT-25	5	10.5	20
TRT-30	6	12.6	25
TRT-35	7	14.7	30
TRT-40	8	16.8	35
TRT-45	9	18.9	40
TRT-50	10	21.0	45
TRT-60	12	25.2	50

## Replacing a lamp module

All TRT lamp modules are interchangeable and can be used in any position on the lightbar. This offers the flexibility to configure a lightbar for any mission with perfect balance of flood, spot or dual color amber white modules. Keep in mind that only the outboard positions will have flash patterns.

With this modular design the replacement of a TRT Lamp couldn't be easier. Each module is hermetically sealed so replacement will not compromise the watertight integrity of the lightbar or void the warranty.

To replace a lamp module simply remove the two lamp clips using a 9/64" hex tool. Unplug the lamp from the waterproof connector, plug in the new lamp and reattach the lamp clips.





## Maintenance

The best cleaning method is to gently wash the lightbar with a solution of mild soap and lukewarm water, using a soft cloth or sponge to loosen any dirt or grime. Thoroughly rinse with clean water to remove any cleaner residue and dry the surface with a soft cloth to prevent water spotting.

If using a high-pressure water cleaner and/or a steam cleaner the pressure should not exceed 1,450psi. The use of additives to the water and/or steam should also be avoided.

### *Important Considerations for Lexan lenses:*

- Never use abrasive or highly alkaline cleaners.
- Never use aromatic or halogenated solvents like toluene, benzene, gasoline, acetone or carbon tetrachloride.
- Contact with harsh solvents such as methyl ethyl ketone (MEK) or hydrochloric acid can result in surface degradation and possible crazing.
- Never scrub lenses with brushes, steel wool or other abrasive materials.