



# TOMAR MODEL SPK300 & SPK300-B SIREN SPEAKER

## INSTRUCTION SHEET

The TOMAR SPK300 & SPK300-B SIREN SPEAKER is rated for 100 watts and designed for use in emergency vehicles, security alarm, public safety, and 2-way radio systems.

<u>Model No.</u>	<u>Description</u>
SPK300	Speaker - Alumimum finish
SPK300-B	Speaker - Black finish

### Specifications:

Power Rating:	100 watts RMS
Plane Wave Frequency Response:	250-3600Hz +- 5dB
Sound Level: ( <i>Peak dBA</i> )	116dB ( <i>average</i> )
Nominal Impedance	11 Ohms
DCR:	6 Ohms
Dimensions:	5-1/8" H. x 6-1/4"W. x 3-1/8 D. (130.2mm x 155.5mm X 79.4mm)

### 1.) UNPACKING

Examine the equipment for damage that may have occurred in shipping. If damaged, do not attempt to install or operate. File a claim immediately with the carrier stating the extent of the damage. Carefully check all envelopes, shipping labels, and tags before removing or discarding them. Check the contents of the shipping package and verify that you have received all components. Refer to the SIREN SPEAKER Assembly Diagram on page 2.

### 2.) ASSEMBLE SIREN

Attach the 1/4" female SPEAKER CABLE connectors to the terminals #1 (RED wire) & # 2 (BLK wire) on the SIREN DRIVER. Feed the SPEAKER CABLE through the SIREN CONE and then through the COMPACT SIREN HOUSING. Assemble the SIREN CONE and the SIREN DRIVER in to COMPACT SIREN HOUSING and secure SPEAKER Assembly with #1/4 HEXHEAD BOLTS & LOCK WASHERS.

### 3.) MOUNTING

Position the MOUNTING BRACKET in the desired mounting location and mark the center of the 2 mounting bracket holes. Drill clearance holes for the 3/8" HEXHEAD BOLTS and install MOUNTING BRACKET with a pair of 3/8" HEXHEAD BOLTS, LOCK WASHER, FLAT WASHER & NYLON LOCK NUTS. Position the SPEAKER Assembly on the MOUNTING BRACKET and secure with a pair of 3/8" HEXHEAD BOLTS, LOCK WASHER, FLAT WASHER & SPUR WASHERS. Adjust the desired mounting angle through the potential 360 degree rotation.

### 3.) COMPLETE ELECTRICAL CONNECTION

Route the SPEAKER CABLE so that it is protected from cuts, nicks, abrasion, or fraying. Refer to Speaker Amplifier manufactures installation instructions to complete the electrical installation.

### **TOMAR Electronics, Inc.**

2100 West Obispo  
Gilbert, Arizona 85233

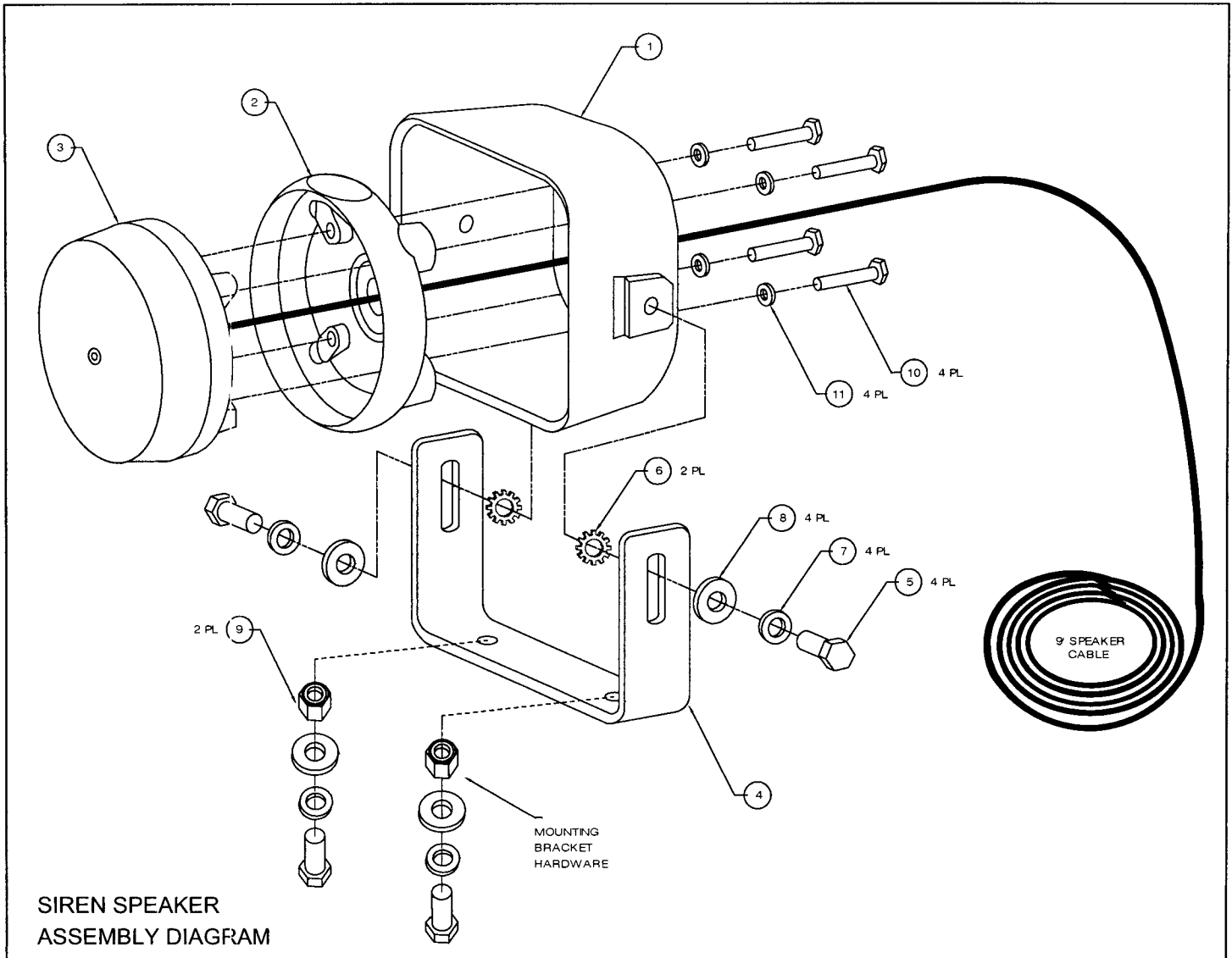
(480) 497-4400 (800) 338-3133

FAX (480) 497-4416 (800) 688-6627

E-mail: [sales@tomar.com](mailto:sales@tomar.com) [www.tomar.com](http://www.tomar.com)

IS0436-00  
07-15-2004

# TOMAR MODEL SPK300 & SPK300-B SIREN SPEAKER



ITEM	Qty	Description
1	1	COMPACT SIREN HOUSING
2	1	SIREN CONE
3	1	SIREN DRIVER 100 WATT
4	1	U SHAPED MOUNTING BRACKET
5	4	#3/8 - 16 x 1.00 HEXHEAD BOLT
6	2	#3/8 - SPUR WASHER
7	4	#3/8 - LOCK WASHER
8	4	#3/8 - FLAT WASHER
9	2	#3/8 - NYLON LOCK NUT
10	4	#1/4 - 20 x 1.375 HEXHEAD BOLT
11	4	#1/4 - LOCK WASHER
12	1	9' SPEAKER CABLE w/ 1/4" FEMALE CONNECTORS

### TOMAR Electronics, Inc.

2100 West Obispo  
Gilbert, Arizona 85233

(480) 497-4400      (800) 338-3133

FAX (480) 497-4416      (800) 688-6627

E-mail: [sales@tomar.com](mailto:sales@tomar.com)      [www.tomar.com](http://www.tomar.com)

IS0436-00  
07-15-2004