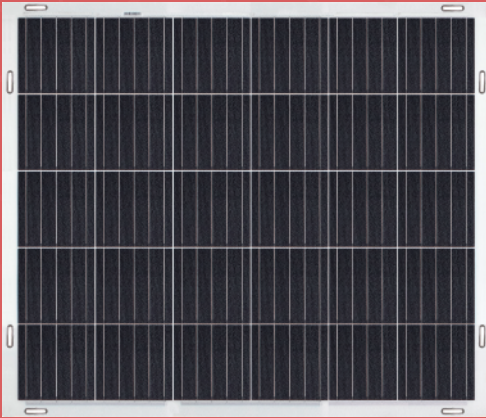


# eArc

## SMF150M-6X05DW

# 150 Watt

## 30 Cell Monocrystalline Module



**Ultra-light:** Glass free module weighs 2.6 kg, 70% lighter than conventional glass modules.



**Aesthetic:** Seamless integration with underlying installation surface.



**Durable:** eArc is the first glassless module to pass the same durability tests as conventional glass modules, including IEC 61215:2016, IEC61730:2016 and UL1703 (USA). eArc has also passed PID, salt mist and ammonia corrosion tests.

POWER OUTPUT RANGE 150 W

POWER TOLERANCE 0-5 W

### LINEAR PERFORMANCE WARRANTY

**12 Year Product Warranty**

**25 Year Linear Power Warranty**



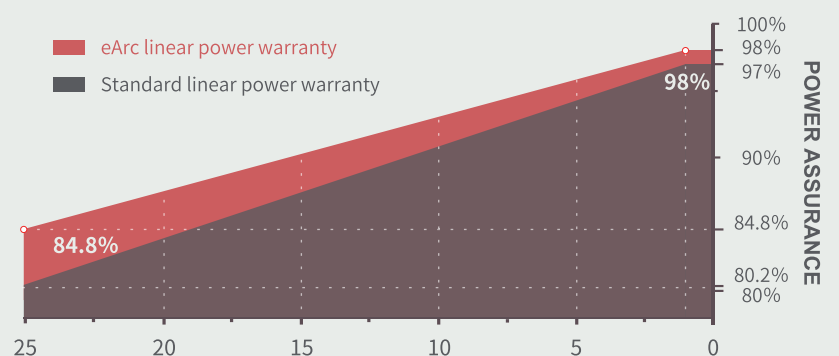
[www.sunman-energy.com](http://www.sunman-energy.com)



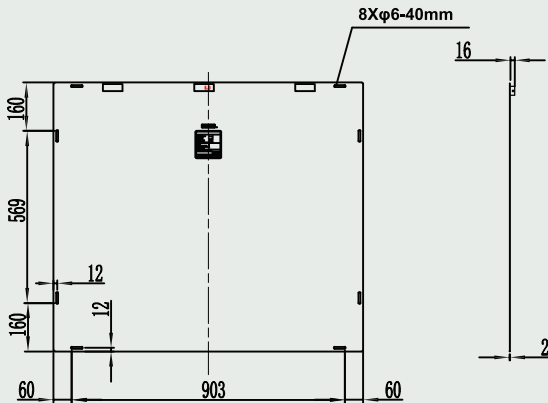
ULTRA-LIGHT & FLEXIBLE SOLAR PANEL

CAUTION: Read installation manual before using the product.

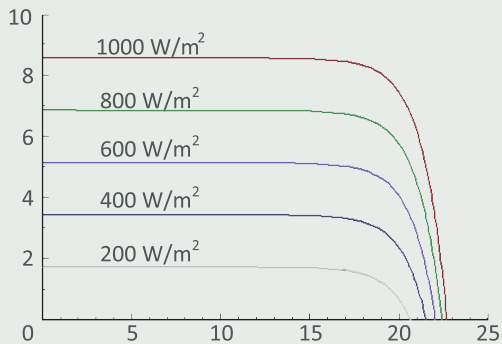
©2021 Sunman (zhenjiang) Co., Ltd. All rights reserved. Specifications included in this datasheet are subject to change without notice.



## DIMENSIONS

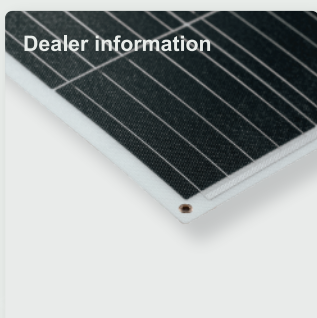


## I-V CURVE (150)



## TEMPERATURE CHARACTERISTICS

Nominal Module Operating Temperature(NMOT)	41±2 °C
Temperature Coefficient of P <sub>max</sub>	-0.38 %/°C
Temperature Coefficient of V <sub>oc</sub>	-0.28 %/°C
Temperature Coefficient of I <sub>sc</sub>	0.020 %/°C



SMFDW IEC EN 2022D

## ELECTRICAL CHARACTERISTICS

STC	SMF150M-6X05DW
Maximum Power (P <sub>max</sub> )	150
Maximum Power Voltage (V <sub>mp</sub> )	18.7
Maximum Power Current (I <sub>mp</sub> )	8.14
Open-circuit Voltage (V <sub>oc</sub> )	22.7
Short-circuit Current (I <sub>sc</sub> )	8.54
Module Efficiency (%)	17.6
Operating Temperature	-40 °C to 85 °C
Maximum System Voltage	1000 V DC (IEC)
Maximum Series Fuse Rating	20 A
Application Class	Class A
Power Tolerance	0/+5 W

STC: Irradiance 1000W/m<sup>2</sup>, Cell temperature 25°C, AM=1.5.

Tolerances of P<sub>max</sub>, V<sub>oc</sub> and I<sub>sc</sub> are within ±5%

NMOT	SMF150M-6X05DW
Maximum Power (P <sub>max</sub> )	122.7
Maximum Power Voltage (V <sub>mp</sub> )	18.9
Maximum Power Current (I <sub>mp</sub> )	6.49
Open-circuit Voltage (V <sub>oc</sub> )	22.8
Short-circuit Current (I <sub>sc</sub> )	6.81

NMOT: Irradiance 800W/m<sup>2</sup>, Ambient temperature 20°C, AM=1.5, Wind speed 1 m/s.

## MECHANICAL CHARACTERISTICS

Solar Cell	Monocrystalline silicon (158.75mm)
No. of Cells	30 (6×5)
Module Dimensions	1023×889×2 mm
Weight	2.6kg
Backsheet	White
Frame	Frameless
J-box	IP 68 rated
Output Cables	Photovoltaic technology cable 4.0 mm 2, (+)450 mm / (-)450 mm
Connector	MC4 compatible

## PACKAGING CONFIGURATION

	20' GP	40' HC
Module per pallet	66+86	66+86
Pieces per container	1216	2736