

# Technical Guide



**QUICKCAB**

# QUICKCAB

## Standard Carcasses

**Please Note:** The information shown in this literature is accurate as at the date of print/release shown on such information but it may be subject to changes after such date. Please therefore ensure that you are viewing the most current product available and check with us if you have any doubt about the suitability of the product or accuracy of the information shown.

## IMPORTANT PLEASE NOTE:

The information contained in this literature is for illustrative purposes only to assist in choosing your desired kitchen. While we endeavour to keep the information up to date and correct we do not make any representations or warranties of any kind, express or implied, about the completeness, accuracy, reliability and suitability of the doors and products that appear in this literature.

We aim to showcase as many different items as possible and therefore some products have been installed and photographed purely to show as many of our product features as possible and they should not be taken as an example of how they are intended to be installed in real kitchen installations.

**It is therefore the responsibility of the installer to check the corresponding manufacturer's installation information and the manufacturer's technical information to ensure this is up to date and to ensure that the products can be fitted in a way they are displayed and the products are suitable for your requirements.**

We specifically exclude any liability in this regard unless the products are fitted in accordance with the specifications we supply and the manufacturer's installation recommendations are used in a way recommended by the manufacturer and in accordance with the manufacturer's technical information provided.

The information shown in this literature is accurate as at the date of print/release shown on such information but it may be subject to changes after such date. Please therefore ensure that you are viewing the most current product information available and check with us if you have any doubt about the suitability of the product or accuracy of the information shown.

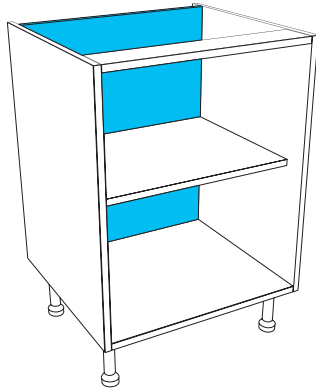
We are proud that all our products that we sell are covered by a statutory warranty but this does not stop all our products naturally ageing overtime. As a result of this natural ageing process we are therefore unable to provide an identical colour finish to the existing products you have purchased from us with any products that we supply you from the same product line. In such event our liability will be limited to the purchase price paid for the product you are seeking to replace.

Due to the limitations on photographic reproduction, colours may differ slightly from the actual products shown. Please note that board matches listed with the doors are a suggestion only and better board matches may be available on the market. It is up to the individual to decide on its suitability.

# Quickcab Carcasses Features

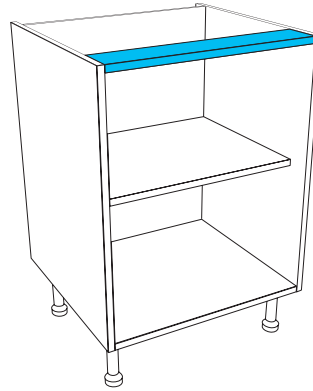
## Solid 18mm back panel

on base units for strength and rigidity



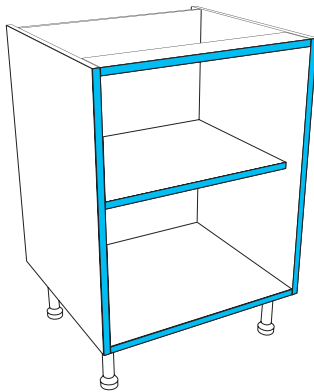
## 100mm cross rail

for added stability & practicality



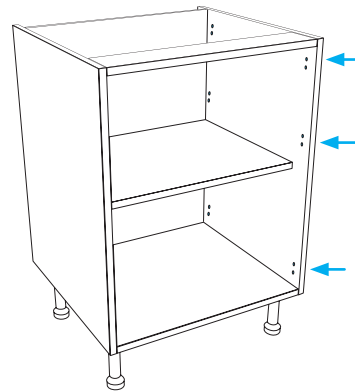
## 2mm PVC leading edging\*

for high impact resistance



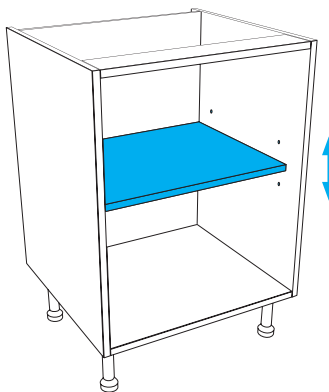
## Pre-drilled drawer holes

for drawerline, 2 drawer pack & 3 drawer pack



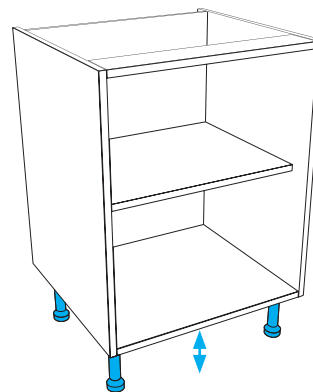
## Variable shelf position

with metal studs for easy repositioning



## 150mm adjustable legs

to compensate for uneven floors

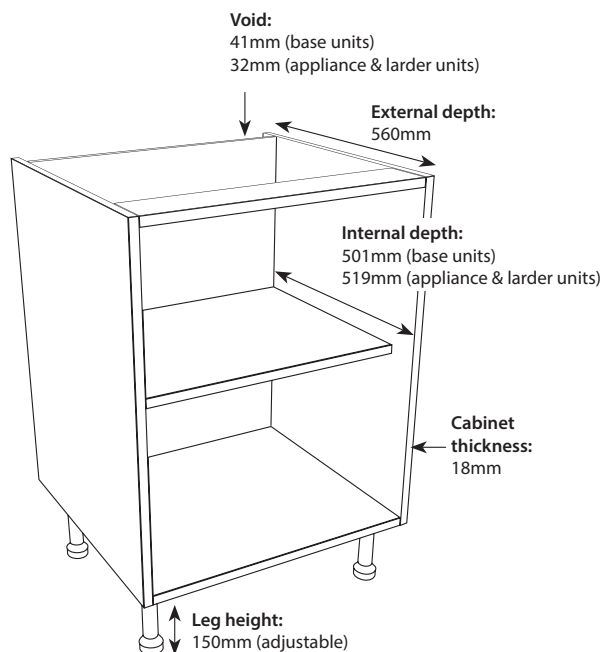


\* All Quickcab units have a 2mm leading edge on shelves, except for curved units where the radius does not allow this edging to be used. For these items the edging will be 0.8mm ABS tape. All other exposed leading edges will be a 0.4mm melamine edge.

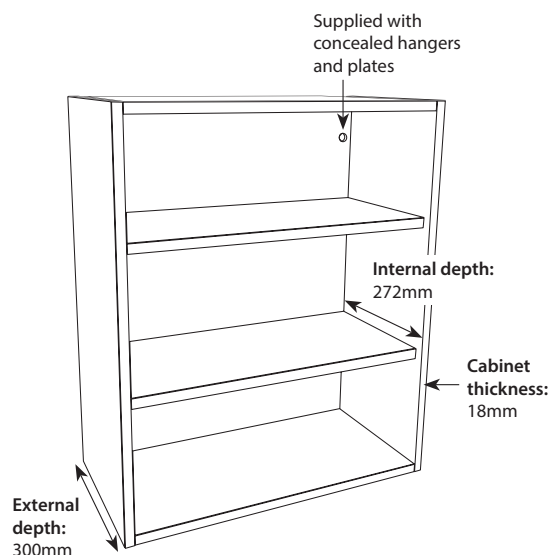
# Quickcab Carcasses

## Product Overview

### BASE, APPLIANCE & LARDER UNITS



### WALL UNITS



### DIMENSIONS

UNIT TYPE	HEIGHT	EXTERNAL DEPTH	BACK THICKNESS	VOID AT BACK
<b>Base Units</b>				
Belfast Base Units	450/490mm	560mm	18mm	41mm
Standard Base Units	720mm	560mm	18mm	41mm
Curved Base	720mm	300mm	18mm	N/A
<b>Wall Units</b>				
Bridging Units	360mm	300mm	8mm	N/A
Standard Wall Units	720mm	300mm	8mm	N/A
Tall Wall Units	900mm	300mm	8mm	N/A
Dresser Units	1210mm	300mm	8mm	N/A

UNIT TYPE	HEIGHT	EXTERNAL DEPTH	BACK THICKNESS	VOID AT BACK
<b>Full Height Units</b>				
Appliance / Larder	1970mm	560mm	8mm	32mm
Curved Full Height	1970mm	300mm	18mm	N/A
Extra Tall Appliance / Larder	2150mm	560mm	8mm	32mm

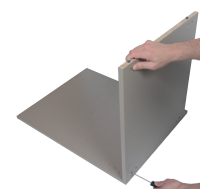
### ADDITIONAL INFORMATION

- All back panels and centre posts are MFC.
- Gables marked for hinges, 100mm hinges.
- All carcasses are supplied without drawers, apart from Smartlarder Complete.
- Includes 5mm colour co-ordinated cover caps

**Robust cam & dowel technology**  
for the strength of rigid



**Simple screwdriver fixing**  
Simply push panels in position  
and lock in place with screwdriver



# Quickcab Carcasses

## Product Overview

### QUICKCAB COLOURS

#### Price Group 1



WHITE

Prefix code: 184  
Board Colour: Egger W980



IVORY

Prefix code: 183  
Board Colour: Egger U104

#### True Handleless Rail Kitchens



Pre-routed rail cabinets are available for true handleless kitchens in 4 colours.

#### Price Group 2



LIGHT GREY

Prefix code: 187  
Board Colour: Egger U708

updated to  
dust grey to  
match Dust grey  
doors



STONE GREY

Prefix code: 87  
Board Colour: Egger U727



OAK

Prefix code: 186  
Board Colour: Egger H3368

### PACK CONTENTS & ASSEMBLY



build  
time

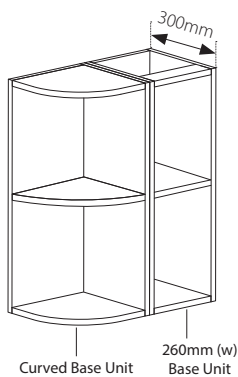


All fittings pre-inserted.

The strength  
of rigid in 2  
minutes!

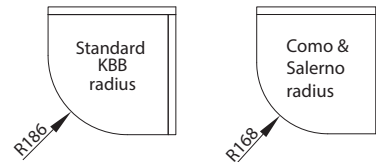
# Quickcab Carcasses

## Curved Base Unit 720mm



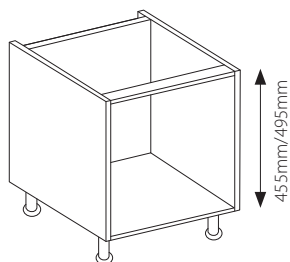
- External curved unit
- Includes 1 shelf
- Legs not supplied with curved base unit  
Legs can be purchased separately.

**Height:** 720mm  
**Depth:** 300mm  
**Back:** 18mm



Code	Description
XXXRADIUS	Radius unit
XXXRADIUSCART	Como & Salerno radius unit (for Como & Salerno doors)
XXXBASE260	Base unit 260mm (w) x 300mm (d), for use with Radius Unit

## Belfast Base Unit 455/495mm

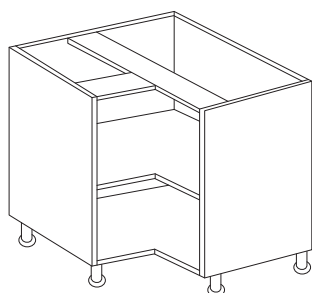


- For use with Belfast Sink
- 455mm height suitable for 450 x 596mm door
- 495mm height suitable for 490 x 596mm door

**Height:** 455mm/495mm  
**Width:** 600mm  
**Depth:** 560mm  
**Back:** 18mm

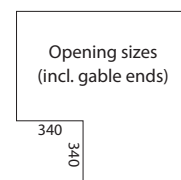
Code	Description
XXXBELFAST455	Belfast base unit, 600mm (w) x 455mm (h)
XXXBELFAST495	Belfast base unit, 600mm (w) x 495mm (h)

## L Shaped Corner Base Unit 720mm



- Includes 1 shelf

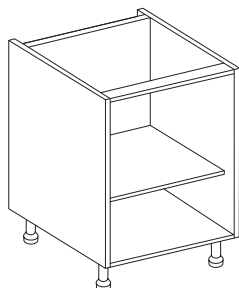
**Height:** 720mm  
**Size:** 900 x 900mm  
**Back:** 18mm



Code	Description
XXXCBASE900	L shaped corner base unit, 900 x 900mm

# Quickcab Carcasses

## Single Base Unit 720mm

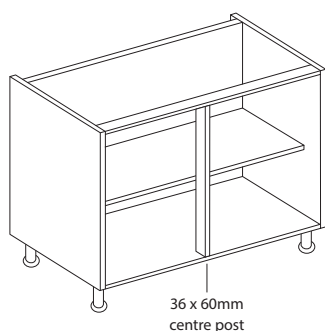


- Includes 1 shelf
- Can be converted into a drawer unit (comes pre-drilled for drawer line, 2 drawer pack & 3 drawer pack)
- Drawer packs sold separately (nb. 150, 350 & 450mm drawer packs not available)

**Height:** 720mm  
**Depth:** 560mm  
**Back:** 18mm

Code	Description
XXX <b>BASE150</b>	Base unit, 150mm
XXX <b>BASE300</b>	Base unit, 300mm
XXX <b>BASE350</b>	Base unit, 350mm
XXX <b>BASE400</b>	Base unit, 400mm
XXX <b>BASE450</b>	Base unit, 450mm
XXX <b>BASE500</b>	Base unit, 500mm
XXX <b>BASE600</b>	Base unit, 600mm

## Double Base Unit 720mm

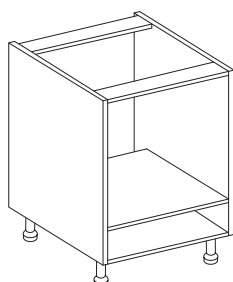


- Includes 1 shelf & centre post
- Can be converted into a drawer unit (comes pre-drilled for drawer line, 2 drawer pack & 3 drawer pack)
- Drawer packs sold separately (nb. 700mm drawer packs not available)
- Converted into a corner base using blanking panel

**Height:** 720mm  
**Depth:** 560mm  
**Back:** 18mm

Code	Description
XXX <b>BASE700</b>	Base unit, 700mm
XXX <b>BASE800</b>	Base unit, 800mm
XXX <b>BASE900</b>	Base unit, 900mm
XXX <b>BASE1000</b>	Base unit, 1000mm
XXX <b>BLANKPANEL</b>	Blanking panel, 720mm (h) x 500mm (w)

## Under Oven Housing Unit 720mm



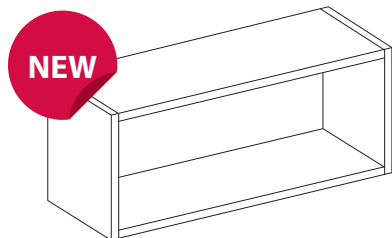
- Includes 1 fixed shelf
- Open back

**Height:** 720mm  
**Depth:** 560mm

Code	Description
XXX <b>UOH600</b>	Under oven housing unit, 600mm

# Quickcab Carcasses

## Fridge/freezer Bridging Unit 288mm

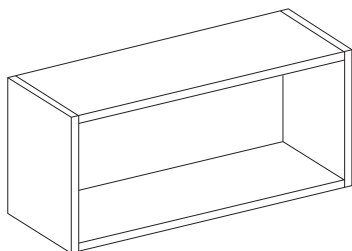


- Suitable for 283mm (h) door

**Height:** 288mm  
**Depth:** 300mm  
**Back:** 8mm

Code	Description
XXX <b>FBRIDGE600</b>	Fridge/freezer bridging unit, 600mm <b>NEW</b>
XXX <b>FBRIDGE800</b>	Fridge/freezer bridging unit, 800mm <b>NEW</b>
XXX <b>FBRIDGE900</b>	Fridge/freezer bridging unit, 900mm <b>NEW</b>
XXX <b>FBRIDGE1000</b>	Fridge/freezer bridging unit, 1000mm <b>NEW</b>

## Bridging Unit 360mm

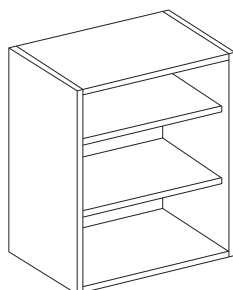


- Suitable for 355mm (h) door

**Height:** 360mm  
**Depth:** 300mm  
**Back:** 8mm

Code	Description
XXX <b>BRIDGE500</b>	Bridging unit, 500mm
XXX <b>BRIDGE600</b>	Bridging unit, 600mm
XXX <b>BRIDGE800</b>	Bridging unit, 800mm
XXX <b>BRIDGE900</b>	Bridging unit, 900mm
XXX <b>BRIDGE1000</b>	Bridging unit, 1000mm

## Single Wall Unit 720mm



- Includes 2 shelves

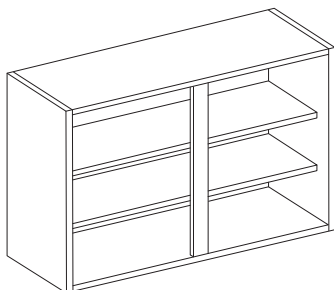
**Height:** 720mm  
**Depth:** 300mm  
**Back:** 8mm

Code	Description
XXX <b>WALL150</b>	Wall unit, 150mm <b>NEW</b>
XXX <b>WALL300</b>	Wall unit, 300mm
XXX <b>WALL350</b>	Wall unit, 350mm
XXX <b>WALL400</b>	Wall unit, 400mm
XXX <b>WALL450</b>	Wall unit, 450mm
XXX <b>WALL500</b>	Wall unit, 500mm
XXX <b>WALL600</b>	Wall unit, 600mm



# Quickcab Carcasses

## Double Wall Unit 720mm

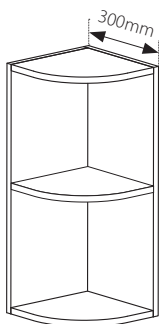


- Includes 2 shelves & centre post

**Height:** 720mm  
**Depth:** 300mm  
**Back:** 8mm

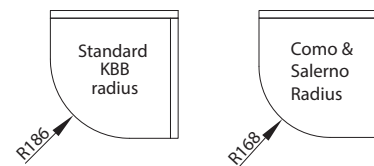
Code	Description
XXXWALL700	Wall unit, 700mm
XXXWALL800	Wall unit, 800mm
XXXWALL900	Wall unit, 900mm
XXXWALL1000	Wall unit, 1000mm

## Curved Wall Unit 720mm



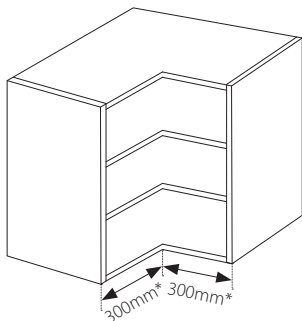
- External curved unit
- Includes 1 shelf

**Height:** 720mm  
**Depth:** 300mm  
**Back:** 18mm



Code	Description
XXXRADIUS	Radius unit
XXXRADIUSCART	Como & Salerno radius unit (for Como & Salerno doors)

## L Shaped Corner Wall Unit 720mm



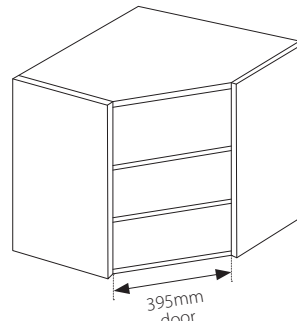
- Includes 2 shelves
- Suitable for 2 x 273-277mm (w) doors

**Height:** 720mm  
**Size:** 600 x 600mm  
**Back:** 8mm

\* Opening sizes including gable ends

Code	Description
XXXCWALL600	L shaped corner wall unit, 600 x 600mm

## Splay Corner Wall Unit 720mm



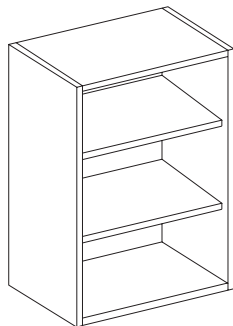
- Includes 2 shelves
- Suitable for a 395mm (w) door

**Height:** 720mm  
**Size:** 600 x 600mm  
**Back:** 8mm

Code	Description
XXXDWALL600	Splay corner wall unit, 600 x 600mm

# Quickcab Carcasses

## Tall Single Wall Unit 900mm

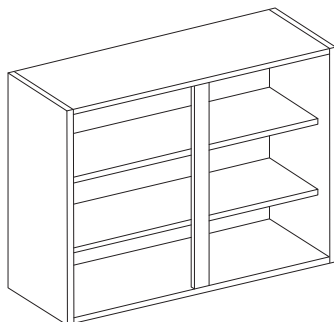


- Includes 2 shelves

**Height:** 900mm  
**Depth:** 300mm  
**Back:** 8mm

Code	Description
XXXTWALL300	Tall wall unit, 300mm
XXXTWALL400	Tall wall unit, 400mm
XXXTWALL450	Tall wall unit, 450mm
XXXTWALL500	Tall wall unit, 500mm
XXXTWALL600	Tall wall unit, 600mm

## Tall Double Wall Unit 900mm

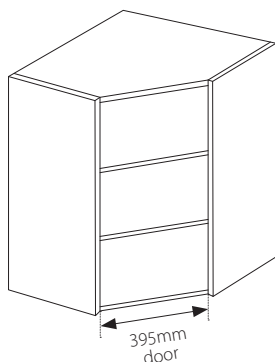


- Includes 2 shelves & centre post

**Height:** 900mm  
**Depth:** 300mm  
**Back:** 8mm

Code	Description
XXXTWALL800	Tall wall unit, 800mm
XXXTWALL900	Tall wall unit, 900mm
XXXTWALL1000	Tall wall unit, 1000mm

## Tall Splay Corner Wall Unit 900mm



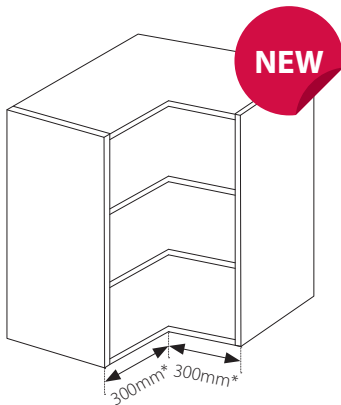
- Includes 2 shelves
- Suitable for a 395mm (w) door

**Height:** 900mm  
**Size:** 600 x 600mm  
**Back:** 8mm

Code	Description
XXXTDWALL600	Tall splay corner wall unit, 600 x 600mm

# Quickcab Carcasses

## Tall L Shaped Corner Wall Unit 900mm



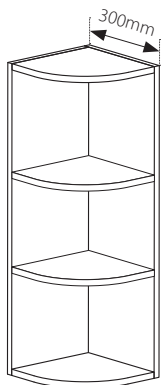
\* Opening sizes including gable ends

- Includes 2 shelves
- Suitable for 2 x 273-277mm (w) doors

**Height:** 900mm  
**Size:** 600 x 600mm  
**Back:** 8mm

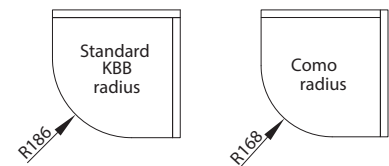
Code	Description
XXXTCWALL600	Tall L shaped corner wall, 600 x 600mm <b>NEW</b>

## Tall Curved Wall Unit 900mm



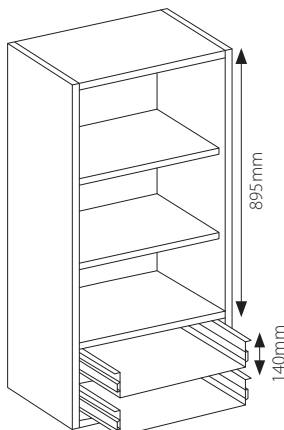
- External curved unit
- Includes 2 shelves

**Height:** 900mm  
**Depth:** 300mm  
**Back:** 8mm



Code	Description
XXXTRADIUS	Tall radius unit
XXXTRADIUSCART	Tall Como radius unit (for Como doors)

## Dresser Unit 1210mm



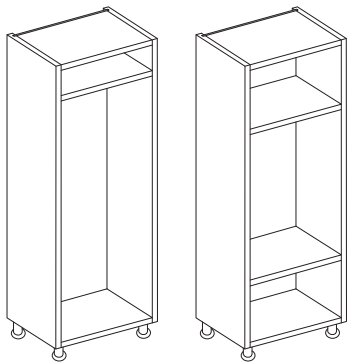
- 2 drawer dresser unit (not suitable for 1 drawer units)
- Includes 2 shelves (Glass shelves can be purchased separately)
- Dresser drawer packs (270mm depth) sold separately
- Suitable for 895mm (h) door & 2 x 140mm (h) drawer fronts

**Height:** 1210mm  
**Depth:** 300mm  
**Back:** 8mm

Code	Description
XXXDRESS500	Dresser unit, 500mm
XXXDRESS600	Dresser unit, 600mm

# Quickcab Carcasses

## Appliance Unit 1970mm



Fridge/freezer unit

Double oven housing unit

- Multi purpose unit
- Supplied with gable ends, back and a shelf pack
- Includes top and bottom, 3 fixed shelves and 1 floating shelf

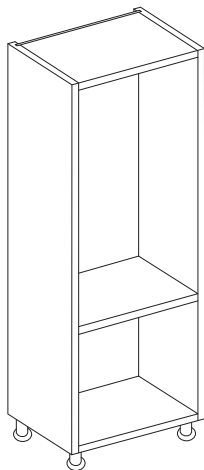
**Height:** 1970mm

**Depth:** 560mm

**Back:** 8mm

Code	Description
XXX <b>TALL600</b>	Appliance unit, 600mm

## Larder Unit 1970mm



- Supplied with gable ends, back and a shelf pack
- Includes top and bottom, 3 fixed shelves and 1 floating shelf to cover multiple configurations

**Height:** 1970mm

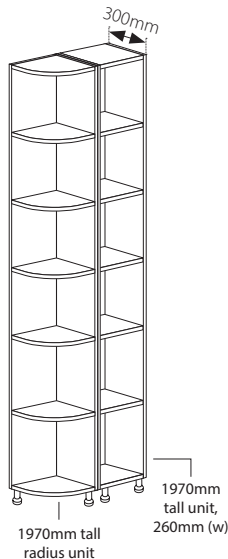
**Depth:** 560mm

**Back:** 8mm

Code	Description
XXX <b>LARDER300</b>	Larder unit, 300mm
XXX <b>LARDER400</b>	Larder unit, 400mm
XXX <b>LARDER500</b>	Larder unit, 500mm
XXX <b>LARDER600</b>	Larder unit, 600mm

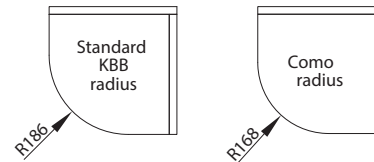
# Quickcab Carcasses

## Curved Full Height Unit 1970mm



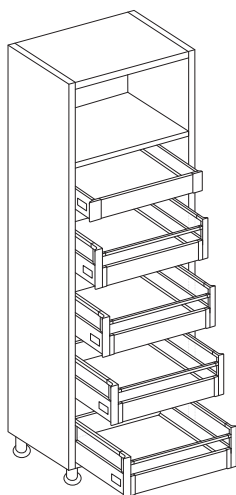
- Includes 5 shelves
- Use with 1245mm curved door and 715mm curved door

**Height:** 1970mm  
**Depth:** 300mm  
**Back:** 18mm



Code	Description
XXXETRADIUS	1970mm tall radius unit
XXXETRADIUSCART	1970mm tall Como radius unit
XXXETBASE260	1970mm tall unit, 260mm (w), for use with tall radius unit

## SmartLarder Complete 1970mm



- Includes cabinet, 5 boxed internal drawers & 1 fixed shelf
- Drawer specifications: grey finish, soft closing, 40kg capacity/drawer

**Cabinet Height:** 1970mm  
**Cabinet Depth:** 560mm  
**Cabinet Back:** 8mm

Fascia panel cutting dimensions:  
 Internal cabinet width - 97mm

Front rail cutting dimensions:  
 Internal cabinet width - 63mm

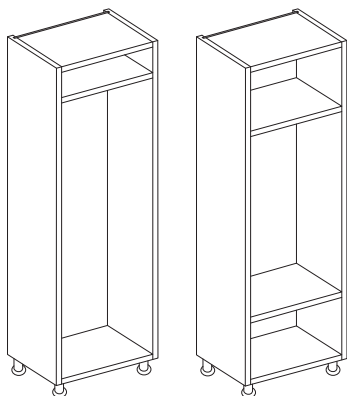
### PACK CONTENTS:

- Larder Unit (1970mm) x 1
- Topside boxed shallow drawer & internal bracket (83mm) x 1
- Topside boxed pan drawer, glass conversion kit & internal bracket (224mm) x 4
- Topside internal fascia panel, 1100mm length x 3 (need cutting to size)
- Topside square front rail, 1100mm length x 2 (need cutting to size)
- Silence 165° soft close hinge & Euro 18mm hinge plate x 4

Code	Description
XXXSL50G	SmartLarder complete, 500mm
XXXSL60G	SmartLarder complete, 600mm

# Quickcab Carcasses

## Extra Tall Appliance Unit 2150mm



Fridge/freezer unit

Double oven housing unit

- Multi purpose unit
- Supplied with gable ends, back and a shelf pack
- Includes top and bottom, 3 fixed shelves and 1 floating shelf to cover multiple configurations

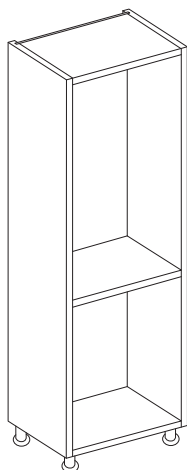
**Height:** 2150mm

**Depth:** 560mm

**Back:** 8mm

Code	Description
XXXTTALL600	Extra tall appliance unit, 600mm

## Extra Tall Larder Unit 2150mm



- Supplied with gable ends, back and a shelf pack
- Includes top and bottom, 3 fixed shelves and 1 floating shelf to cover multiple configurations

**Height:** 2150mm

**Depth:** 560mm

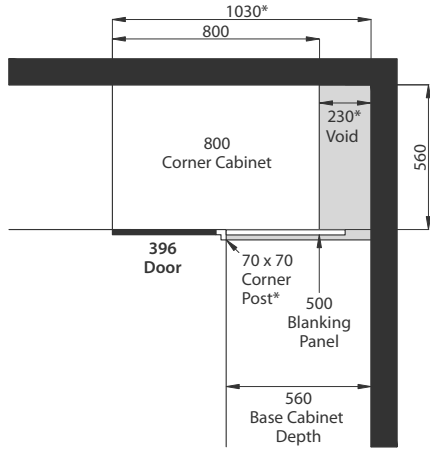
**Back:** 8mm

Code	Description
XXXTLARDER300	Extra tall larder unit, 300mm
XXXTLARDER400	Extra tall larder unit, 400mm
XXXTLARDER500	Extra tall larder unit, 500mm

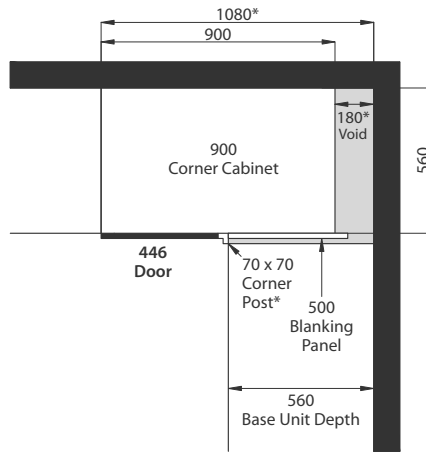
Please note: For Extra Tall Larder Unit 600mm use Extra Tall Appliance Unit (code: XXXTTALL600)

# Quickcab Carcasses

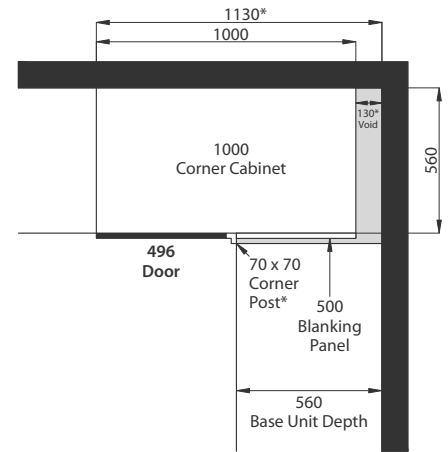
## CORNER BASE UNIT INFORMATION



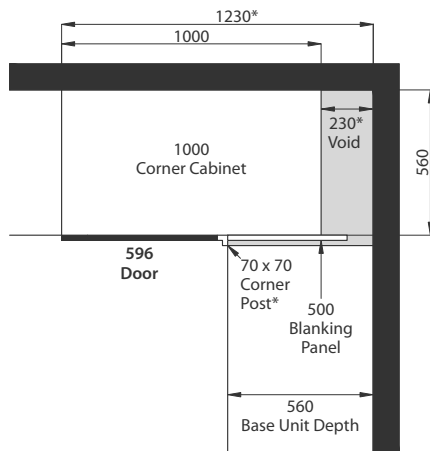
**Base Unit:** 800mm (w)  
**Door size:** 396mm (w) x 715mm (h)  
**Blanking panel:** 500mm (w), can be cut to size



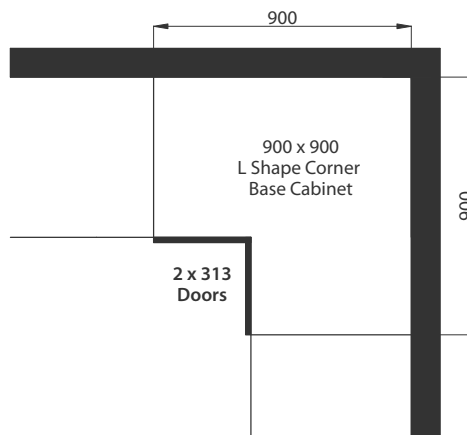
**Base Unit:** 900mm (w)  
**Door size:** 446mm (w) x 715mm (h)  
**Blanking panel:** 500mm (w), can be cut to size



**Base Unit:** 1000mm (w)  
**Door size:** 496mm (w) x 715mm (h)  
**Blanking panel:** 500mm (w), can be cut to size



**Base Unit:** 1000mm (w)  
**Door size:** 596mm (w) x 715mm (h)  
**Blanking panel:** 500mm (w), can be cut to size



**Base Unit:** 900 x 900mm L-shape  
**Door size:** 2 x 313mm (w) x 715mm (h)  
**Hinges:** 165° and Pie-cut Corner hinges to be used for the bi-fold corner door

### \* PLEASE NOTE:

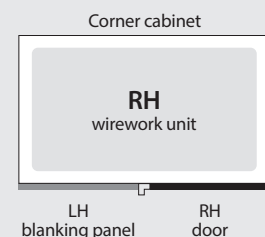
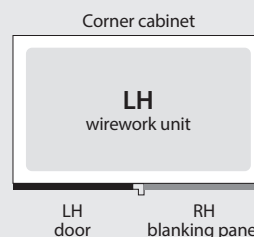
Dimensions are based on 70 x 70mm Verano slab corner post. Corner post sizes vary between ranges which affects the size of the required distance from wall to end of corner cabinet. Please make sure the distance is adjusted to reflect the size of the corner post for the specific door range.

**Eg.** Lugano J-pull corner posts are 60 x 60mm which means distance from wall to end of corner cabinet is 10mm shorter.

Void is covered by the worktop after installation.

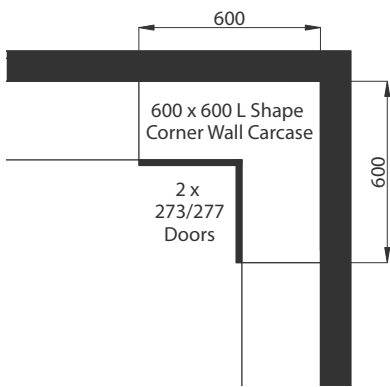
## Guide to LH / RH corner wirework units

Wirework is handed by the side the door is on. The door is hinged on the side that the blanking panel is on (applies to Combi pull out shelves).

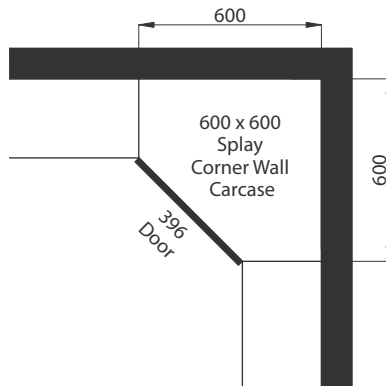


# Quickcab Carcasses

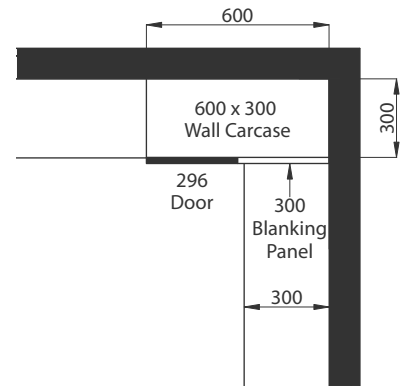
## CORNER WALL UNIT INFORMATION



**Wall Unit:** 600 x 600mm L-shape  
**Door size:** 2 x 273/277mm (w) x 715mm (h)  
**Hinges:** 165° and Pie-cut Corner hinges to be used for the bi-fold corner door.



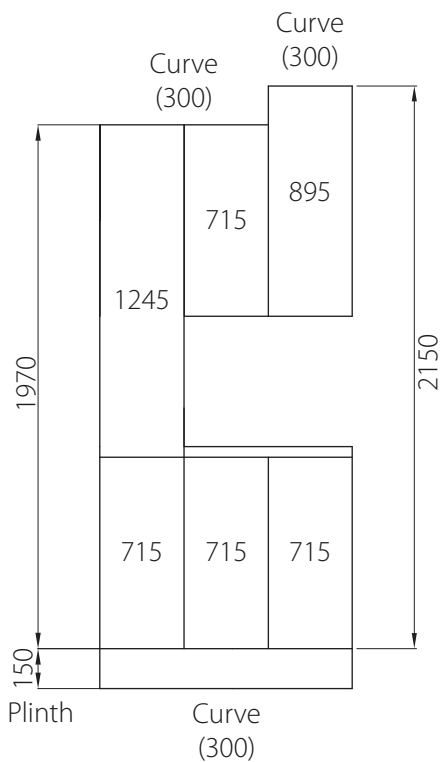
**Wall Unit:** 600 x 600mm D-shape  
**Door size:** 396mm (w) x 715/895mm (h)



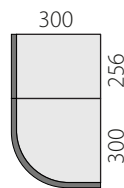
**Product Code:** 600mm  
**Wall Unit:** 600 x 300mm conventional corner  
**Door size:** 296mm (w) x 715mm (h)

## CURVED UNIT DOOR CONFIGURATIONS

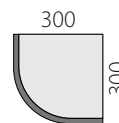
Medium (1970mm) and tall (2150mm) installation heights



BASE & TALL



WALL



RADIUS

