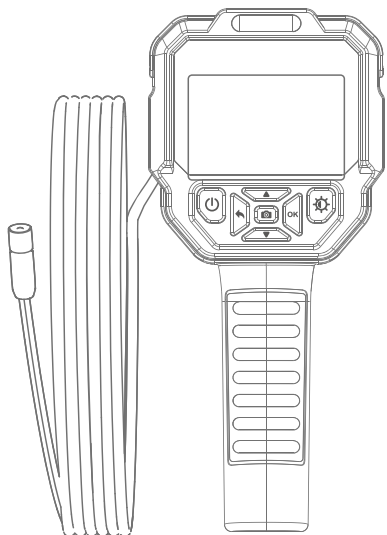


ENDOSCOPE

NF-615



Safety Warning

Warning: Pls read and understand the user manual, otherwise incorrect operation may bring shock, fire or serious damage to the user.

Welcome

Welcome to choose Noyafa handheld endoscope, Pls read the user manual carefully before using, the device has real-time video display, video record and picture capture etc functions, it is suitable for narrow area and unobservable area, such as auto repair, sewer checking etc.

Features

- ① 3.5" 1080P high resolution HD display can capture more details and offer best vision experience.
- ② Support to take video and pictures: can take HD pictures and videos to store in SD card.
- ③ Focal length: 4cm~500cm.
- ④ High intensity auxiliary light source : 8 adjustable LED lights for dark environment use.
- ⑤ IP67 water proof Grade: Equipped with semi-rigid waterproof cable for wet environment use.



Take Video



Take Picture



3.5"



TF Card



1080P



IP67

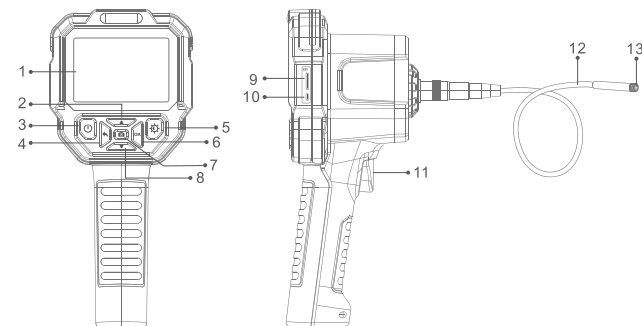


LED Light

Application

- ① Rope/ Pipe Clean: Can check the status of the pipe, prevent dust breakage, and rust.
- ② Shipyard industry: To check the boilers, turbines, diesel engines and pipes etc.
- ③ Industrial Machinery.
- ④ Electronic Industry: Check the connection status of cables and device status.

Function illustration for keys and buttons



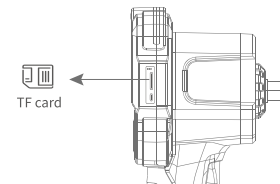
1	Display Menu	8	Down
2	UP	9	TF Card Slot
3	Power	10	Type-C Charging Port
4	Return	11	Picture/ Video
5	Brightness adjustment	12	Hardwire
6	Confirm/ Set	13	Led Light
7	View		

Operation Guidance



1. TF Card

Insert Micro TF card (Excluded) in to the slot, until the card was locked.







Remarks: Pls make sure the TF card need to be Class 10 or above.




2. Turn ON/OFF

- ① Long Press " " button for 2S to turn on/off the device.
- ② Short press " " button to turn off the screen, press any key to wake up the screen.


3. Take Pictures/Videos

- ① Press the trigger button to take a photo.
- ② Long Press Trigger to take video, short press trigger again to stop taking video, press " " to save the video and " " to cancel the video.
- ③ Short press " " to enter view page, short press " " " " to view the pictures or videos; Long press " " to delete the file.

4. Led Light

Short Press " " to adjust the brightness of Led light, 3 different levels available.

5. Set

- ① Short press " " to enter set menu.
- ② Can set Language, Time, Resolution, Brightness, Screen Protection, Default Setting, Restore, Auto-OFF, check System inf.

6. Charge

- ① Type-C cable to charge the battery, pls pay attention to the power level when using it.
- ② The device should be store in the environment at -10~45°C , humidity<75% dry environment with fully charged battery.

Product Parameter

Model	NF-615
Display	3.5-inch color screen
Resolution	1080P
Line length	1m/5m/10m
Focal length	4~500cm
Lens waterproof	IP67(Only for lens)
Camera diameter	8mm
Screen Auto-Off	OFF/30S/1m/2m
Device Auto-Off	OFF/15m/20m/30m
Battery	3.7V 2600mAh lithium battery (TYPE-C)
Size	228*105*105mm

Packing Details

Endoscope	1pc	Certificate	1pc
User Manual	1pc	Type-C Charging Cable	1pc
Packing Box	1pc	Lithium Battery Instruction	1pc

Remarks: All accessories depend on the real goods.

Trouble Shooting

Problems	Solutions
Can't Turn On	Pls recharge the battery to full capacity, and make sure that you have connect the battery to the device.
Can't Read TF cards	Make sure the TF card is qualified (Support Max 64GB Micro TF card with FAT32 format, and the speed needs to be Class10 or above)
	Remove the card and reinsert it into the device.
Device freezes	Insert the USB cable to recharge the device get the device to auto-off and repress the power button to restart it.
Dirt on the screen	Use the soft cloth to clean it.



精明鼠

深圳市诺方舟电子有限公司

编号	201	202	301	302	303	304	305	比例:	1:1	品号:	304-M1301-0002
类目	塑胶件	五金类	镜片	PVC贴纸	不干胶贴	说明书	包装盒	单位:	mm		
选择						√		设计	CZG	品名:	NF-615说明书折页英文-V1 20240605
306	307	308	309	310	311	312	313	核准			
彩卡	吸塑	工具包	PE袋	纸箱	宣传单	合格证	打印标签	标准:	√	文件类型:	做货文件 (较于打样文件, 优化了内容排版)
								定制:			
制作日期	2024.06.05			样式	3折页		印刷材质	128g双铜纸			
印刷要求	单色			页码			变更记录				
尺寸大小	315*140mm			版本	V1						