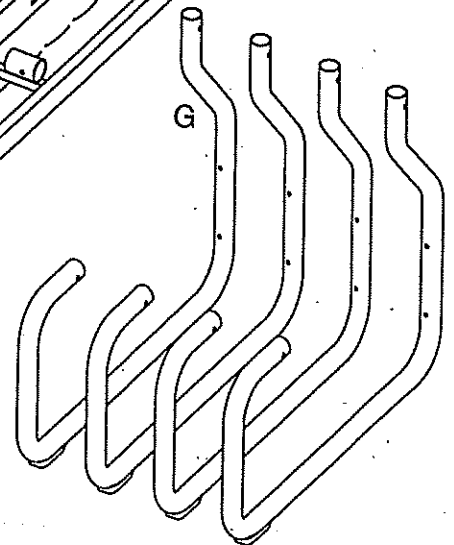
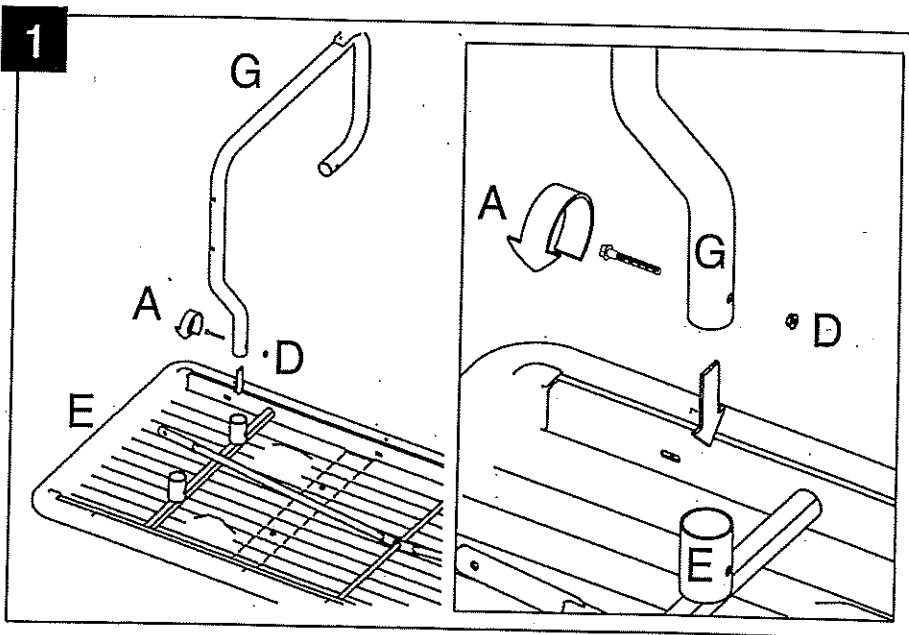
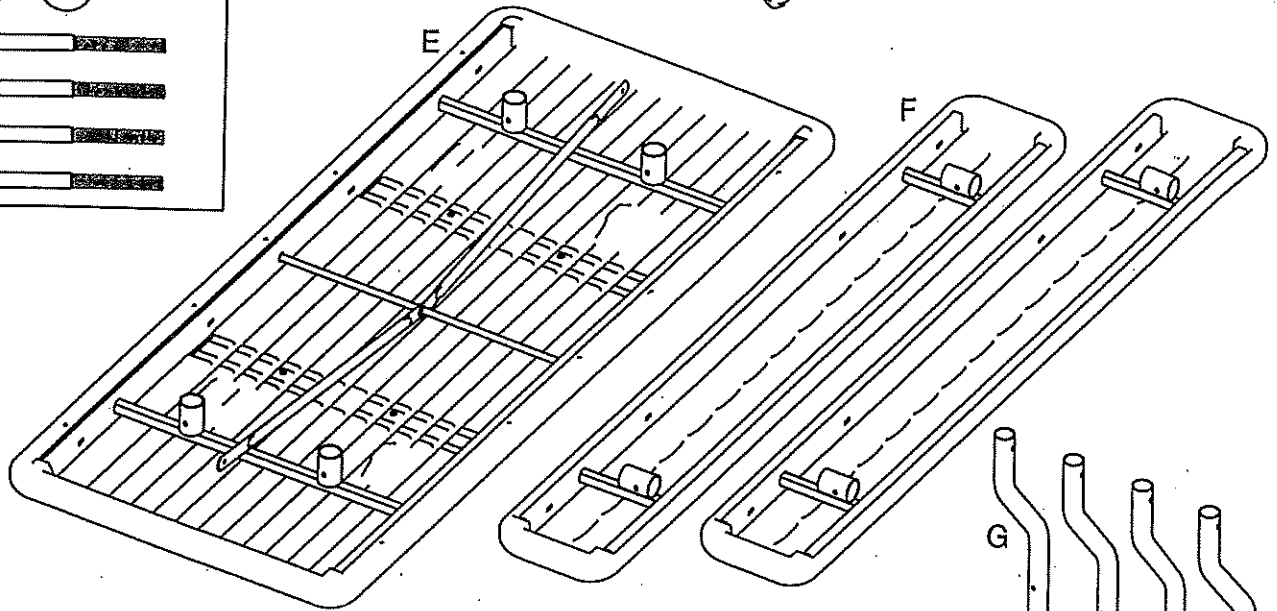
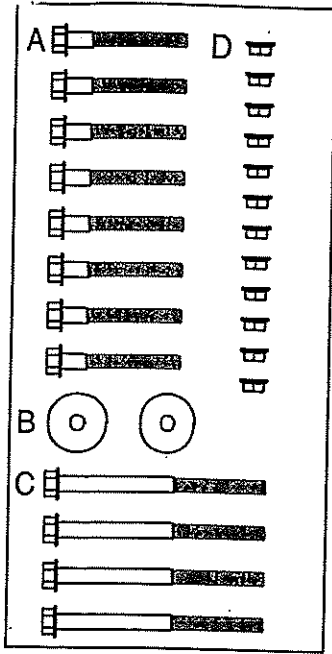
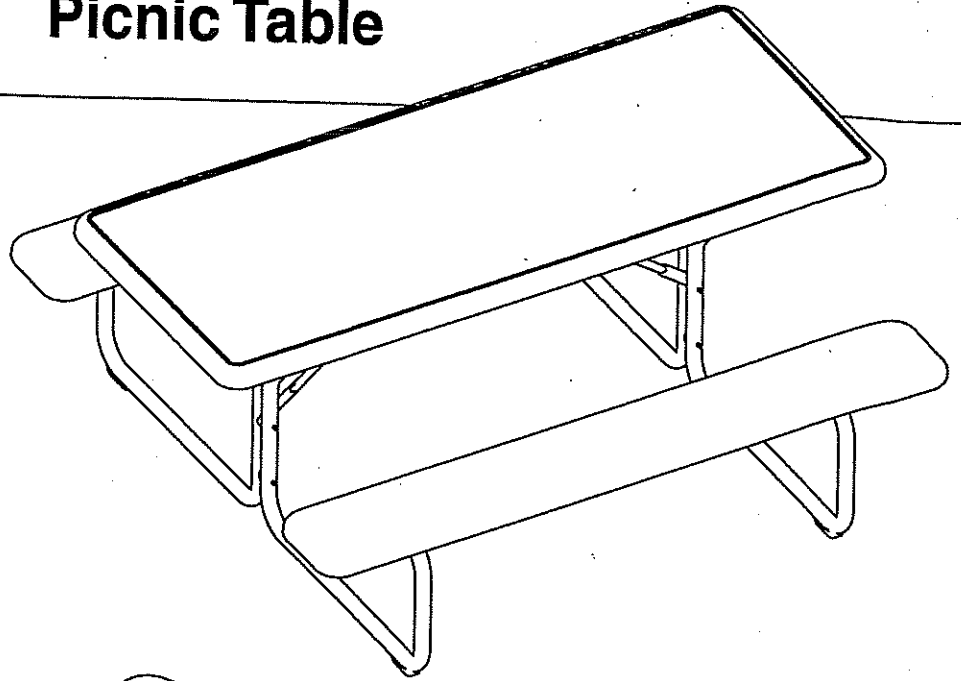
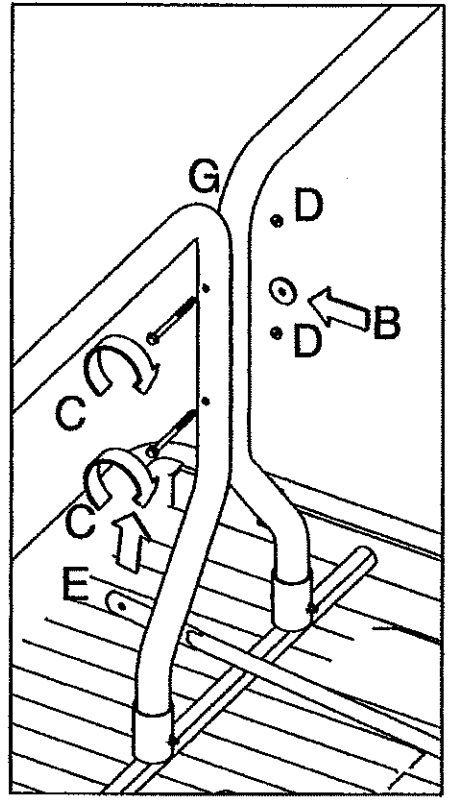
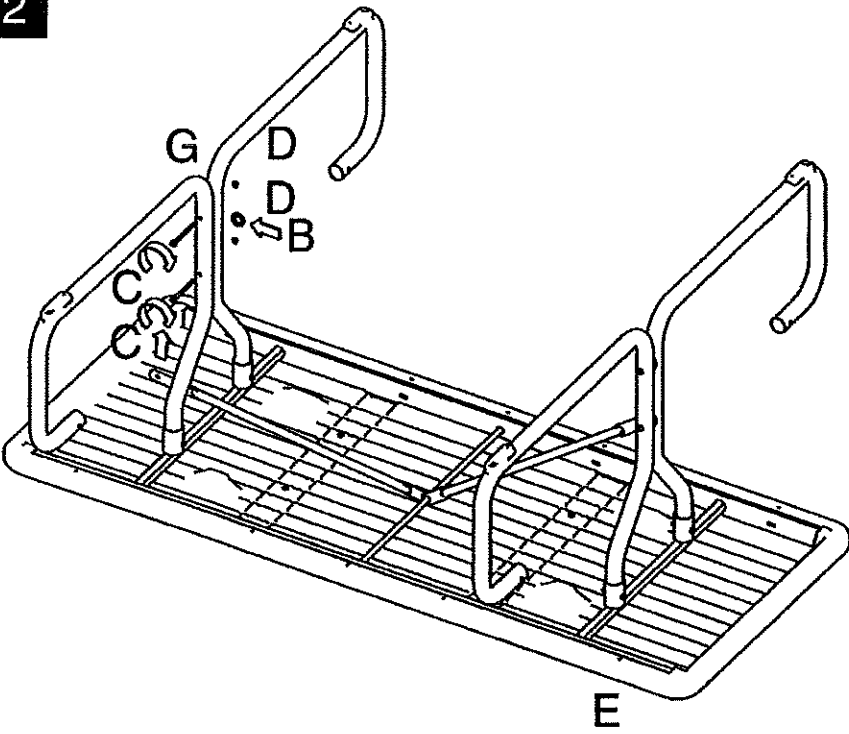


Picnic Table



MidWest Enterprises for the Blind
2207 Lake Street
Kalamazoo MI 49048
Phone 269 383-0713
Fax 269 383- 0357

2



3

