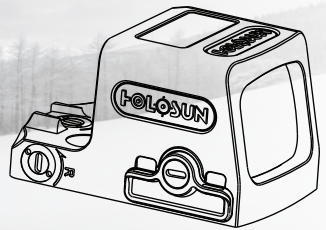




## User's Manual



[www.holosun.com](http://www.holosun.com)

### EPS/EPS CARRY

**EPS/EPS CARRY:** A new, compact enclosed reflex sight. Employing new LED technology, the battery life of one CR1620 battery can last up to 50,000 hours. The sight may be installed on various firearms such as shotguns, pistols, rifles, air rifles and crossbows.

### Important Notices

1. Ensure the firearm is unloaded and cleared by removing all ammunition and magazines from firearm and verifying an empty chamber before installation or battery replacement. **DO NOT ATTEMPT TO INSTALL THIS SIGHT KIT ON A LOADED FIREARM.**
2. Please keep the packaging should you need to make a warranty claim.

Thank you for purchasing the HOLOSUN EPS/EPS CARRY Reflex sight.  
Before operation, please read the User's Manual carefully.

## Model

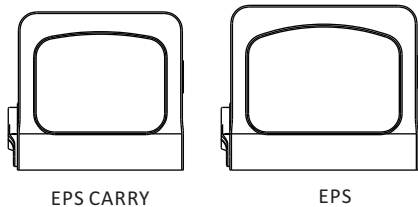


Fig 1 EPS/EPS CARRY Reflex sight

## Objective Lens

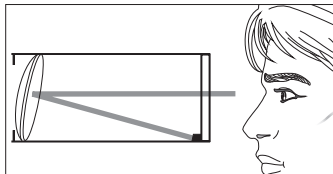


Fig2

A canted objective lens is part of the design of reflex/reflective optical sights. In order to create a proper reflection of the reticle/dot the objective lens must be perpendicular to the LED. Because the LED is mounted to the side of the internal tube the objective lens will be canted in that direction.

## Features

- 1) Ultra compact size for concealed carry applications(EPSCARRY).
- 2) Shake Awake™ - Motion on with last setting recall.
- 3) Parallax free, unlimited eye relief.
- 4) Enclosed Design
- 5) CNC milled 7075 Aluminum Housing.
- 6) 8 day light and 4 night vision compatible brightness settings.
- 7) Window Size 0.58x0.77 inches(EPSCARRY).
- 8) Window Size 0.63x0.9 inches(EPSCARRY).
- 9) IPX8 Certified.

### 1. EPSCARRY CONFIGURATIONS

CONFIGURATION	EPSCARRY					
	RD-MRS	GR-MRS	RD2	GR2	RD6	GR6
2MOA DOT			•	•		
6MOA DOT					•	•
2 MOA DOT& 32 MOA CIRCLE	•	•				
SOLAR CELL	•	•				
RMSC PLATE	•	•	•	•	•	•
RMR PLATE						
M4-T10 SCREW	•	•	•	•	•	•
M3-T10 SCREW	•	•	•	•	•	•
#6-32x12 SCREW	•	•	•	•	•	•
#6-32x6.5 SCREW						
#6-32x8.5 SCREW						

## 2. EPS CONFIGURATIONS

CONFIGURATION	EPS					
	RD-MRS	GR-MRS	RD2	GR2	RD6	GR6
2MOA DOT			•	•		
6MOA DOT					•	•
2 MOA DOT& 32 MOA CIRCLE	•	•				
SOLOR CELL	•	•				
RMSC PLATE						
RMR PLATE	•	•	•	•	•	•
M4-T10 SCREW						
M3-T10 SCREW						
#6-32x12 SCREW						
#6-32x6.5 SCREW	•	•	•	•	•	•
#6-32x8.5 SCREW	•	•	•	•	•	•

## Battery

1. One high quality CR1620 Lithium battery is included with purchase.

**Caution:** Do not use a rechargeable battery.

2. A high quality battery can power this device for up to 50000 hours at setting 6.

3. Battery Replacement(Fig3):

a. Removing the battery :

i. Remove the battery tray screw.

ii. Use the included tool as a lever in the battery tray slots to remove the battery tray and battery.

b. Battery installation :

i. Insert the battery into the battery tray with the POSITIVE side facing DOWN.

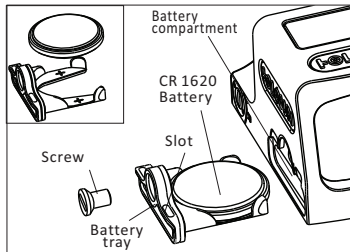
ii. Insert and press the tray into the battery compartment.

iii. Tighten the battery tray screw. Add medium, non-permanent thread locker if the battery tray screw has been removed more than once.

**Caution:**

The loss or damage of the seal ring may cause water to leak into the compartment which could damage the product.

Use the included screws, tighten to 5 INCH/lbs using a non-permanent (medium/blue) thread locker.



**Fig 3**

## Installation on the Slide

NOTE: EPS/EPS CARRY is compatible with some standard mounting solutions currently available.

1. Place the EPS/EPS CARRY on a compatible slide cut or adapter plate (this varies based on your slide configuration).
2. Use either the included screws or screws supplied with your slide or from your gunsmith and tighten to 15 INCH/lbs using a non-permanent (medium/blue) thread locker. (Fig4)
3. Verify proper clearances and firearm function prior to use.

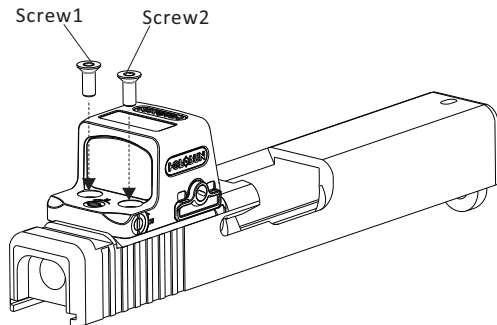


Fig 4

**Note:** EPS and EPS Carry include one adapter plate with purchase; EPS includes an RMR adapter plate and EPS Carry includes and RMSC adapter plate.

1. EPS: To use the included RMR adapter plate, first use two included #6-32x6.5 screws to attach the adapter plate to the slide and then use the provided screws to attach the sight to the adapter plate. Figure 4-1
2. EPS Carry: To use the included RMSC adapter plate, first place the adapter plate onto the slide in the proper orientation, then attach the sight to the adapter plate/slide using the provided screws to pass through the holes of the sight and adapter plate. Figure 4-2

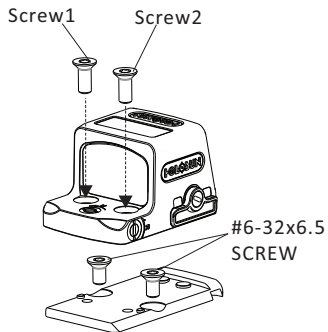


Fig 4-1

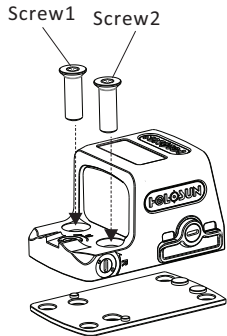


Fig 4-2

## Sight operation

- 1. Power on:** Momentarily press either brightness button ("+" or "-") to turn on the sight, See Fig 5.
- 2. Power off:** Press the "+" and "-" buttons simultaneously to turn the power and motion sensor off (this will disable Shake Awake).
- 3. Operation modes:** Three modes are available by holding the plus (+) button for three seconds: \* Auto Mode -> Manual Mode -> Lockout Mode (\*Auto mode is not available on non-solar models)
  - 1) Auto Mode: Solar models only. For models with Solar Failsafe, the default mode is Auto Mode. In Auto Mode, reticle brightness is automatically adjusted based on ambient lighting received by the on-board photo sensors.
  - 2) Manual mode: Brightness adjustment: There are 12 reticle brightness setting levels in manual mode. Settings 1 to 4 are NV compatible and setting 12 is the brightest. Press "+" or "-" to increase

3) Lock Mode Activation: Hold the “+” button for 3 seconds (until the LED blinks once) to activate Lock Mode. In Lock Mode buttons are locked out preventing any setting changes.

To deactivate Lock Mode, hold the “+” button for 3 seconds, the LED will blink once to confirm Lock Mode is deactivated and will return to Auto Mode (solar models) or Manual Mode (non-solar models).

#### **4. Sleep timer setting:**

1) Please note that your reticle will automatically enter into sleep mode after 10 minutes of no movement.

2) The sight will instantaneously wake up and turn on with any motion detection to the last saved settings.

3) The default sleep timer setting is 10 min, but can be adjusted.

I. Press and hold the “+” button for 10 seconds to enter timer adjustment mode. There are 4 options: 10 min, 1h, 12h or

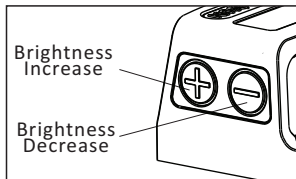
OFF in which case sleep mode is disabled.

ii. Press and release either “+” or “-” button to set the time.

The LED will blink (1 = 10 min, 2 = 1h, 3 = 12h, or 4 = OFF (sleep mode disabled)).

iii. To save your setting, press the “+” and “-” buttons simultaneously to save the timer setting and power off the sight.





**Fig 5**

**5.NOTE:**

- 1) Memory function: The sight will remember the last saved brightness setting when powered on and off.
- 2) Low battery Warning: If the battery voltage is below 2.2Vdc, the reticle will blink slowly.

## Zero setting

- 1) The sight has been factory zeroed to approximately 25 yards and should require minimal adjustment to achieve zero.
- 2) The Elevation adjustment is located on the rear section of the housing and the Windage adjustment is located on the right side of the housing.
- 3) Adjustment can be performed by inserting the flat tipped end of the included tool into the turret slot and rotating, See Fig 6.
- 4) Each adjustment click has a value of approximately 1 MOA or 1 inch at 100 yards (1/2" at 50y; 1/4" at 25y). When zeroing at 25 yard, if your impacts are 2 inches low and 1 inch right, you will need to adjust Elevation 8 clicks UP(counterclockwise)

and 4 clicks LEFT (clockwise).

5) The maximum adjustment range is 30MOA.

**Caution:** If you feel the knobs can no longer be rotated, you may have reached the mechanical limit of the adjustment turret. Do not try to rotate the knobs further if you feel a bind or you may cause damage.

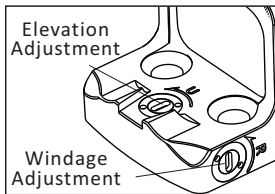


Fig 6

**Included Tool:**

1. Flat tipped end is used to adjust the Windage & Elevation
2. T10 Torx tool for screws

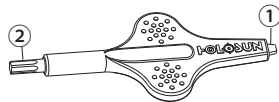


Fig 7

## Maintenance & care

This device is a precision instrument that deserves reasonably cautious care. The following tips are provided to ensure a long product life. The optical lenses are multicoated optical glass. When cleaning the lenses, blow away the dust on the surface, wet the lens with lens cleaner or clean water, then wipe away smudges with lens tissue, soft cotton or a microfiber cloth. Avoid touching the glass surface with dry cloth or tissue paper. Do not use organic solvents such as alcohol or acetone. No special maintenance is needed for the housing surface. Do not try to dismantle the device as the internal parts are specially cleaned and sealed and with an anti-fog treatment. Any such attempt will void the warranty.

## Limited warranty

We provide a limited lifetime warranty from the date of purchase on parts and workmanship to the original purchaser. At our sole discretion, we will repair or replace products found to be defective under normal use without charge, excluding any delivery costs, which will be born by purchaser. We will not be liable for incidental, consequential, or special damages arising out of or in any connection with the use or performance of this product. This warranty is void if the product has been misused, modified, neglected, or disassembled prior to its return. Please refer to [www.holosun.com](http://www.holosun.com) for current and complete warranty information and other conditions.

For more information about Holosun, our Terms of Use and Sale, and our Privacy Policy, please visit [holosun.com](http://holosun.com).

**H·O·L·O·S·U·N**<sup>®</sup>



WARNING :Cancer and  
Reproductive Harm -  
[www.P65Warnings.ca.gov](http://www.P65Warnings.ca.gov)

**Holosun Technologies Inc.**  
**Customer Service**

Phone: 909-594-2888  
Fax: (909) 598-4888  
Email: [warranty@holosun.com](mailto:warranty@holosun.com)

Ver:A0