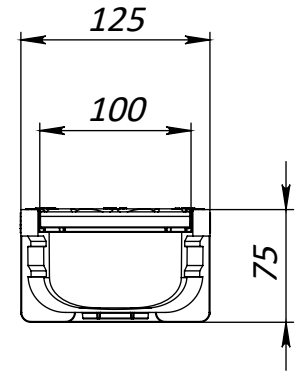
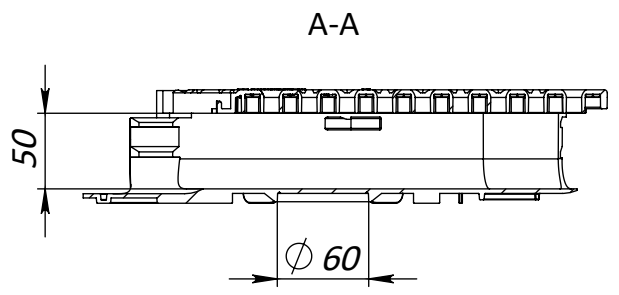


6 5 4 3 2 1

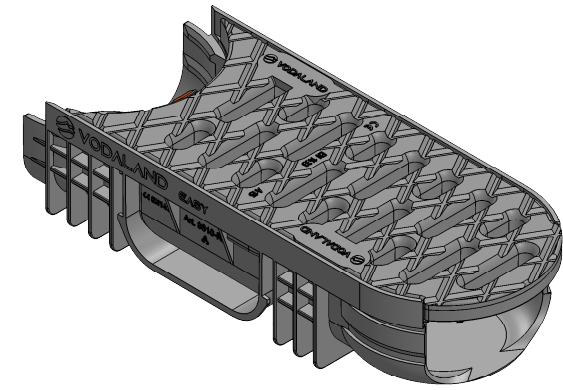
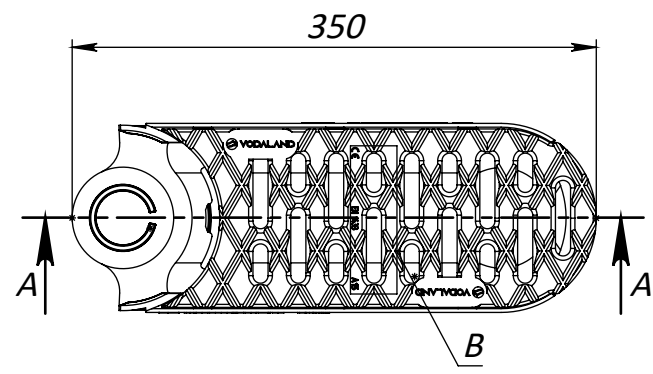
D

D



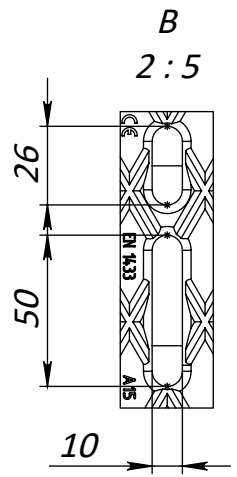
C

C



B

B



- 1. Deviation of the actual weight of the nominal can be up to 8%
- 2. Area of water intake slots 62,28 sq cm

UNLESS OTHERWISE SPECIFIED: DIMENSIONS ARE IN MILLIMETERS SURFACE FINISH: TOLERANCES: ISO 2768-c LINEAR: ANGULAR:				FINISH:		DO NOT SCALE DRAWING		REVISION		A-01	
						TITLE: Plastic rotary input channel Easy 2 DN100 H75 with plastic rotary inlet grate A15 black					
						Load class: A15					
						ARTICLE: 08818-R2					
						A4					
						WEIGHT: 0,389 kg		SCALE: 1:5		SHEET 1 OF 1	

A

A

6 5 4 3 2 1