
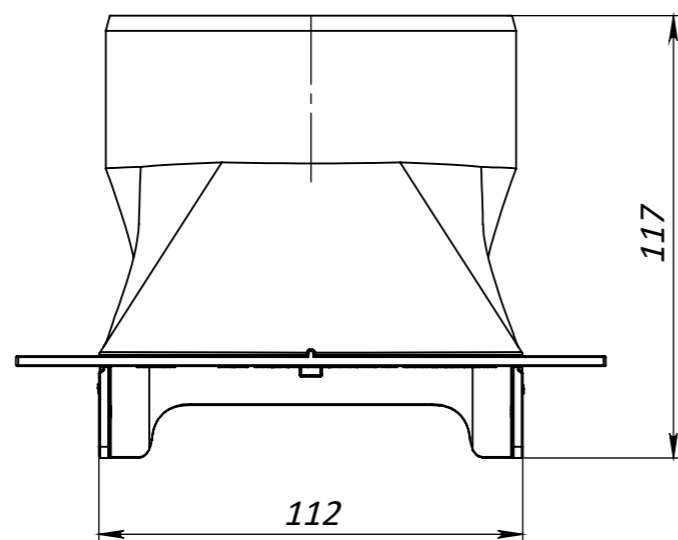
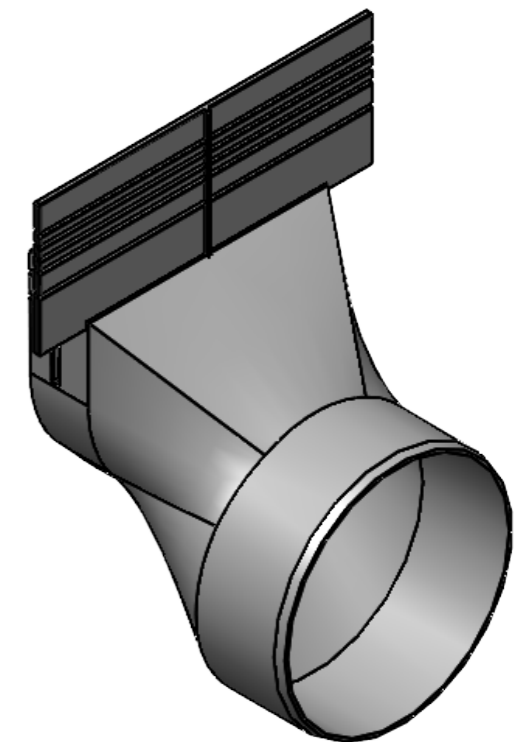
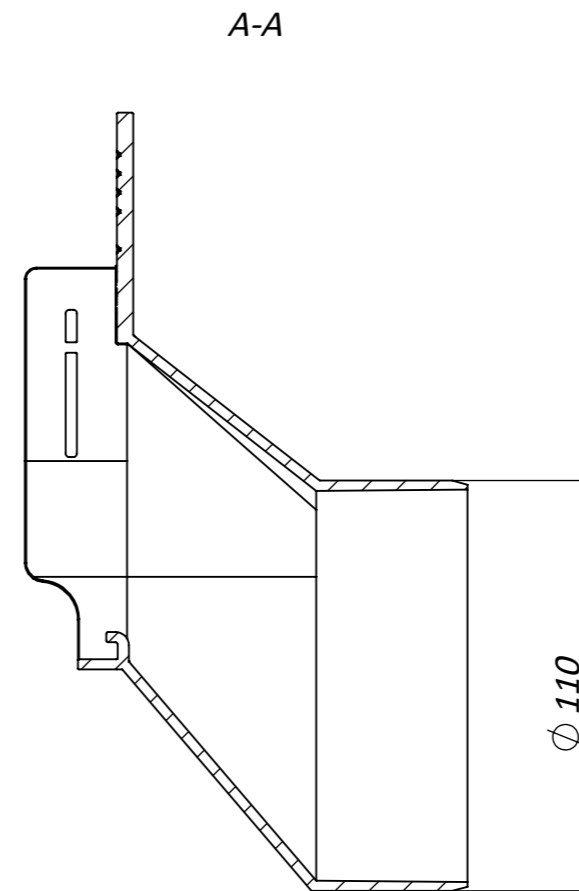
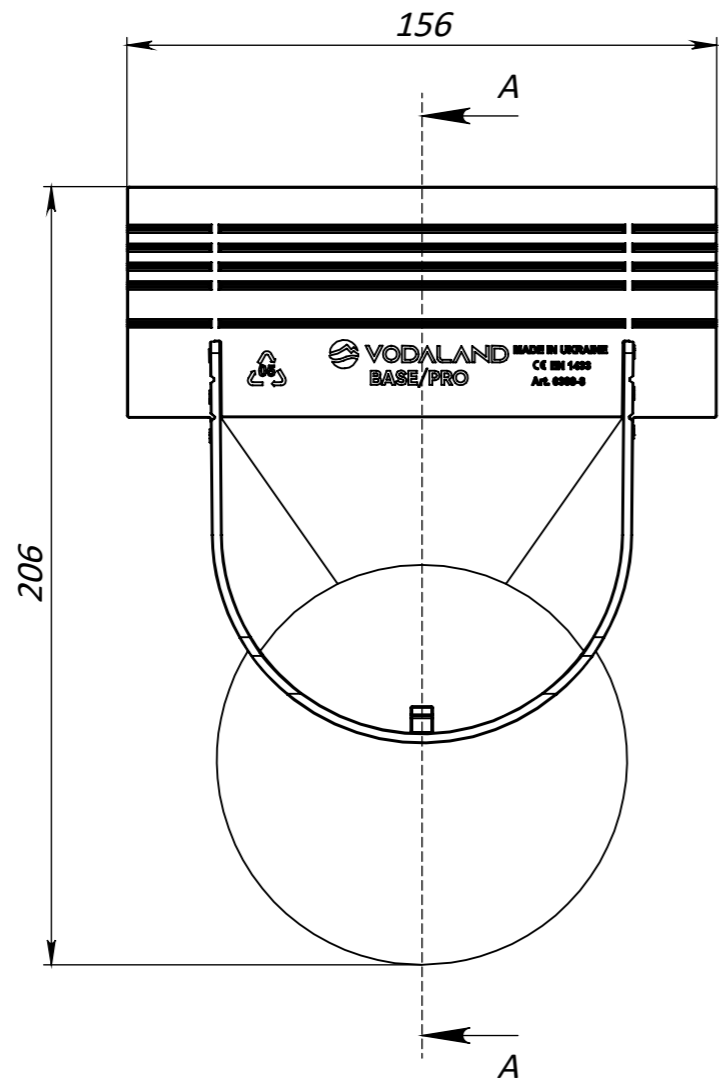


1. Deviation of the actual weight of the nominal can be up to 8%

UNLESS OTHERWISE SPECIFIED: DIMENSIONS ARE IN MILLIMETERS SURFACE FINISH: TOLERANCES: ISO 2768-c LINEAR: ANGULAR:				FINISH:		DO NOT SCALE DRAWING		REVISION	
						 <b>TITLE:</b> Plastic end cap for slope 3-5 and standard H100, H120 plastic channel Base DN100 with outlet 110 <b>ARTICLE:</b> 6308-2 <b>A3</b>			
DRAWN	LIL		09.08.22						
CHK'D	LMK								
APPV'D									
MFG									
Q.A				MATERIAL: Plastic		ARTICLE: 6308-2		A3	
				WEIGHT: 0,108 kg		SCALE: 1:2		SHEET 1 OF 1	



1. Deviation of the actual weight of the nominal can be up to 8%

UNLESS OTHERWISE SPECIFIED: DIMENSIONS ARE IN MILLIMETERS SURFACE FINISH: TOLERANCES: ISO 2768-c LINEAR: ANGULAR:				FINISH:		DO NOT SCALE DRAWING		REVISION	
						TITLE: Plastic end cap for slope 6-8 and standard H150 plastic channel Base DN100 with outlet 110			
						ARTICLE: 6308-3		A3	
				MATERIAL: Plastic		SCALE: 1:2		SHEET 1 OF 1	
				WEIGHT: 0,113 kg					
NAME	SIGNATURE	DATE							
DRAWN L/L		09.08.22							
CHK'D LMK									
APPV'D									
MFG									
Q.A									

