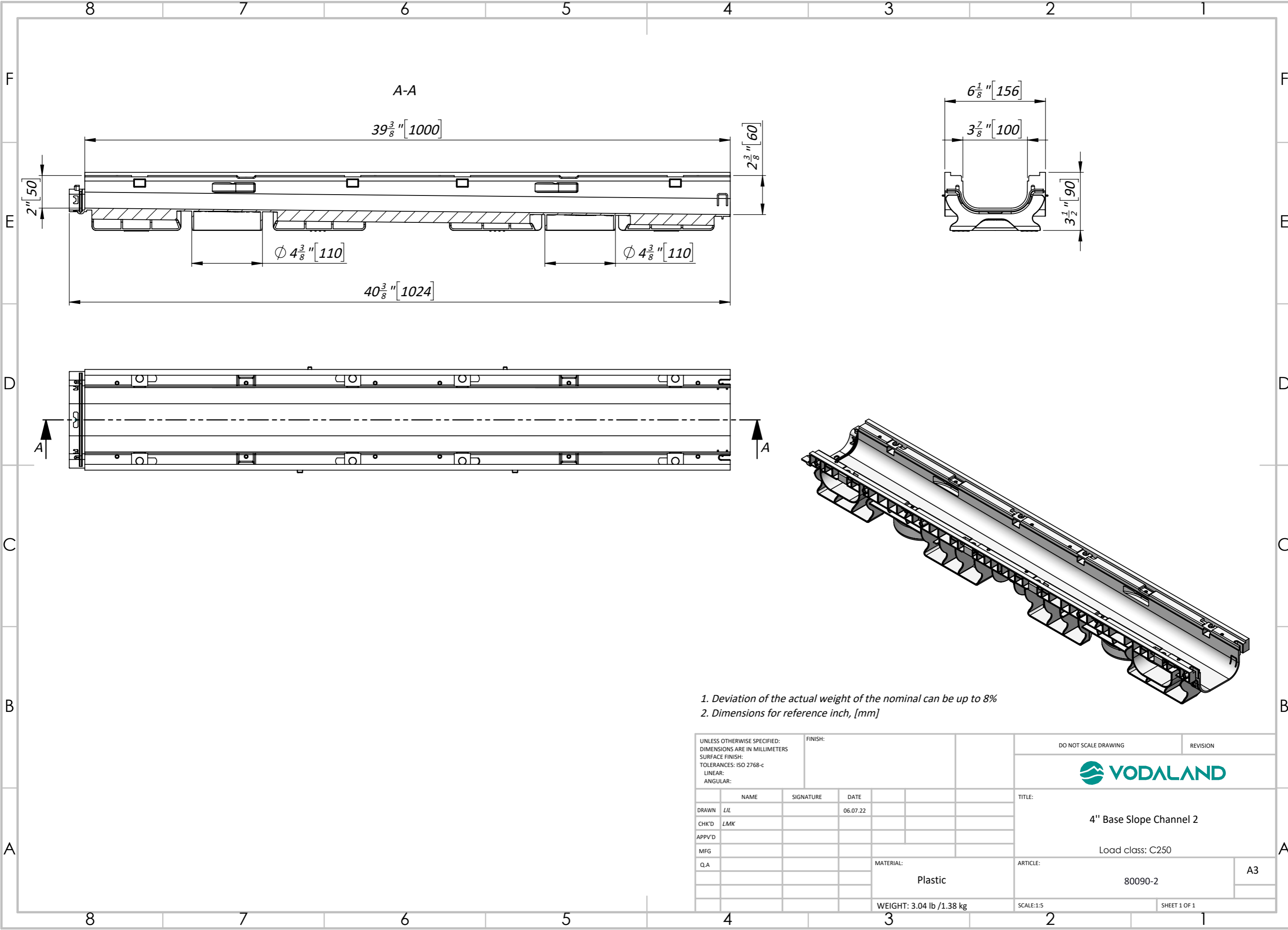


- 1. Deviation of the actual weight of the nominal can be up to 8%
- 2. Dimensions for reference inch, [mm]

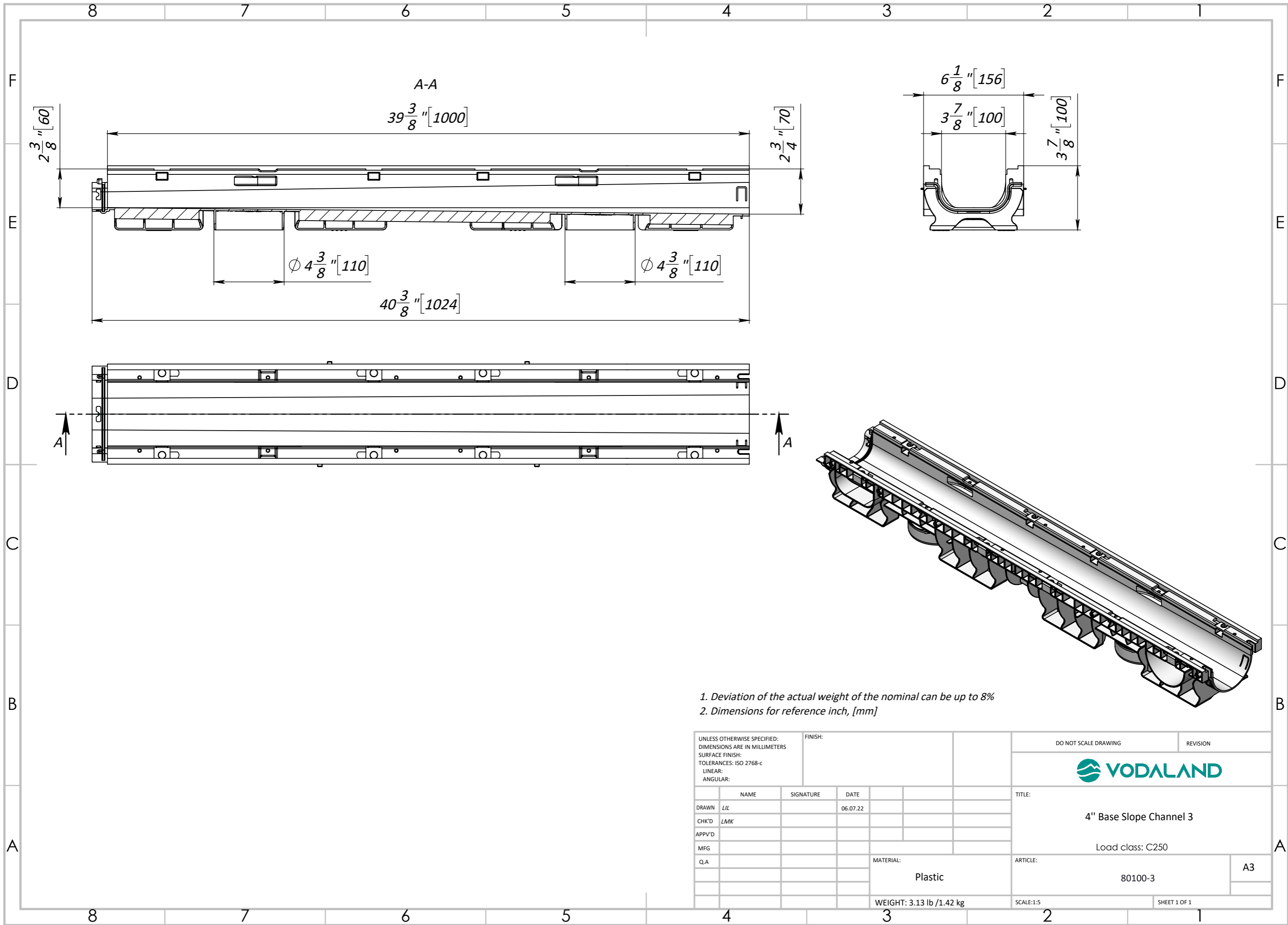
UNLESS OTHERWISE SPECIFIED: DIMENSIONS ARE IN MILLIMETERS SURFACE FINISH: TOLERANCES: ISO 2768-c LINEAR: ANGULAR:				FINISH:		DO NOT SCALE DRAWING		REVISION	
						TITLE: 4" Base Slope Channel 1			
						Load class: C250			
				MATERIAL: Plastic		ARTICLE: 80080-1		A3	
				WEIGHT: 2.71 lb /1.23 kg		SCALE:1:5		SHEET 1 OF 1	

	NAME	SIGNATURE	DATE
DRAWN	LIL		04.07.2022
CHK'D	LMK		
APPV'D			
MFG			
Q.A			



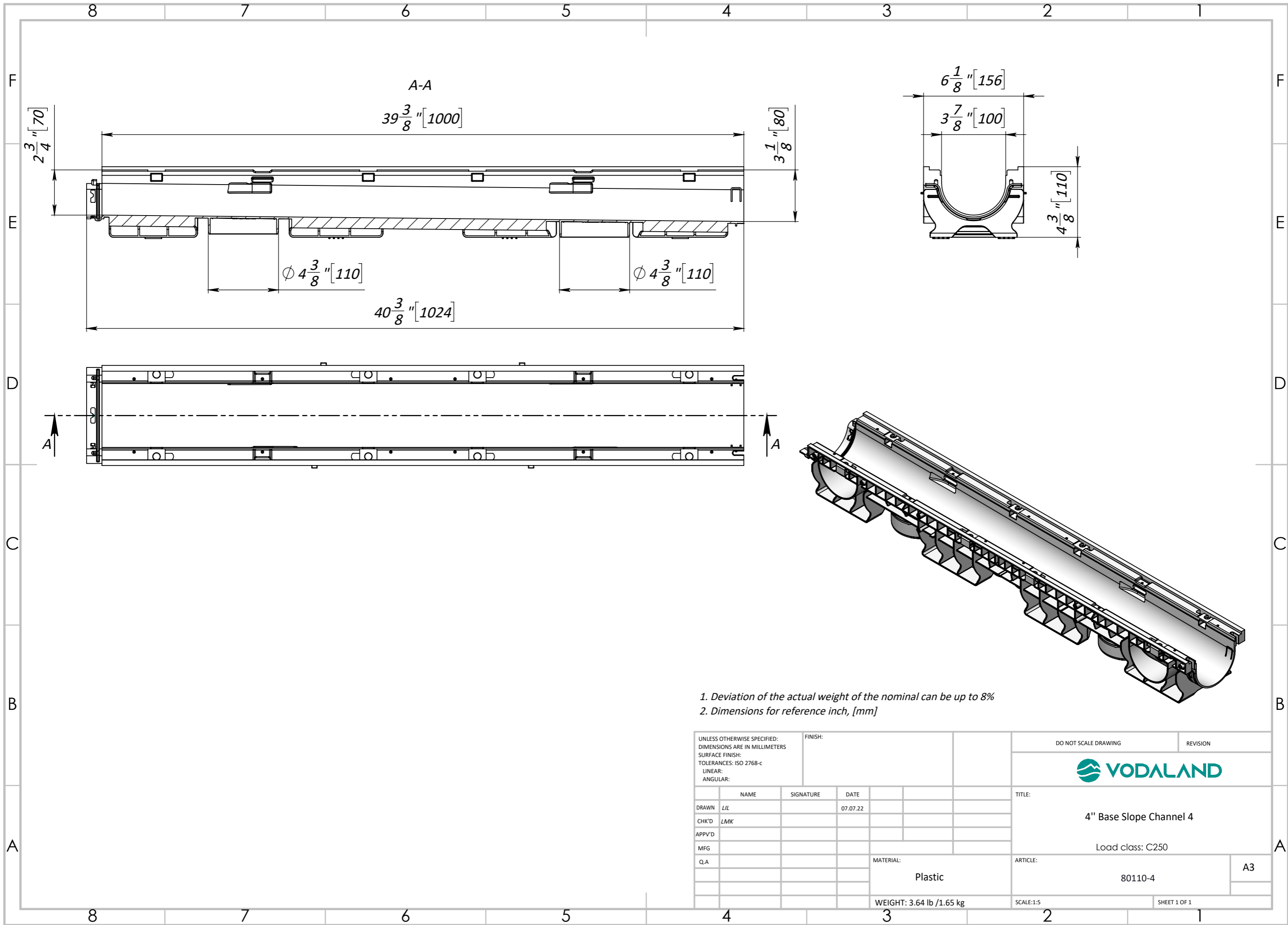
1. Deviation of the actual weight of the nominal can be up to 8%
2. Dimensions for reference inch, [mm]

UNLESS OTHERWISE SPECIFIED: DIMENSIONS ARE IN MILLIMETERS SURFACE FINISH: TOLERANCES: ISO 2768-c LINEAR: ANGULAR:				FINISH:		DO NOT SCALE DRAWING		REVISION	
DRAWN L/L				SIGNATURE		DATE		TITLE:	
CHK'D LMK						06.07.22		4" Base Slope Channel 2	
APPV'D								Load class: C250	
MFG								ARTICLE:	
Q.A								80090-2	
				MATERIAL:		Plastic		A3	
				WEIGHT: 3.04 lb /1.38 kg		SCALE:1:5		SHEET 1 OF 1	



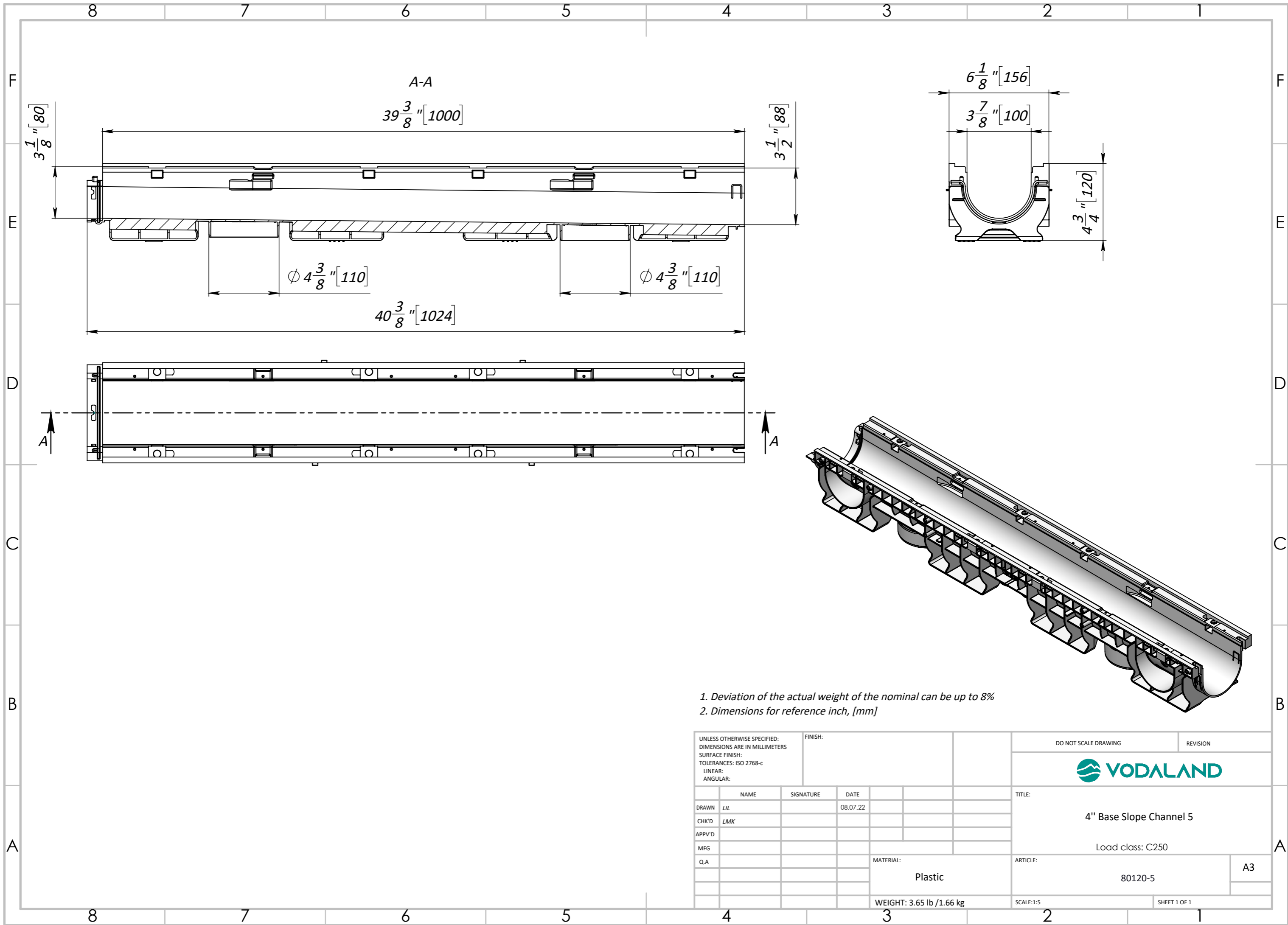
- 1. Deviation of the actual weight of the nominal can be up to 8%
- 2. Dimensions for reference inch, [mm]

UNLESS OTHERWISE SPECIFIED: DIMENSIONS ARE IN MILLIMETERS SURFACE FINISH: TOLERANCES: ISO 2768-c LINEAR: ANGULAR:				FINISH:		DO NOT SCALE DRAWING		REVISION	
DRAWN <i>LIL</i>				SIGNATURE		DATE		TITLE:	
CHK'D <i>LMK</i>						06.07.22		4" Base Slope Channel 3	
APPV'D								Load class: C250	
MFG								ARTICLE:	
Q.A						MATERIAL:		80100-3	
						Plastic		A3	
						WEIGHT: 3.13 lb /1.42 kg		SCALE:1:5	
								SHEET 1 OF 1	



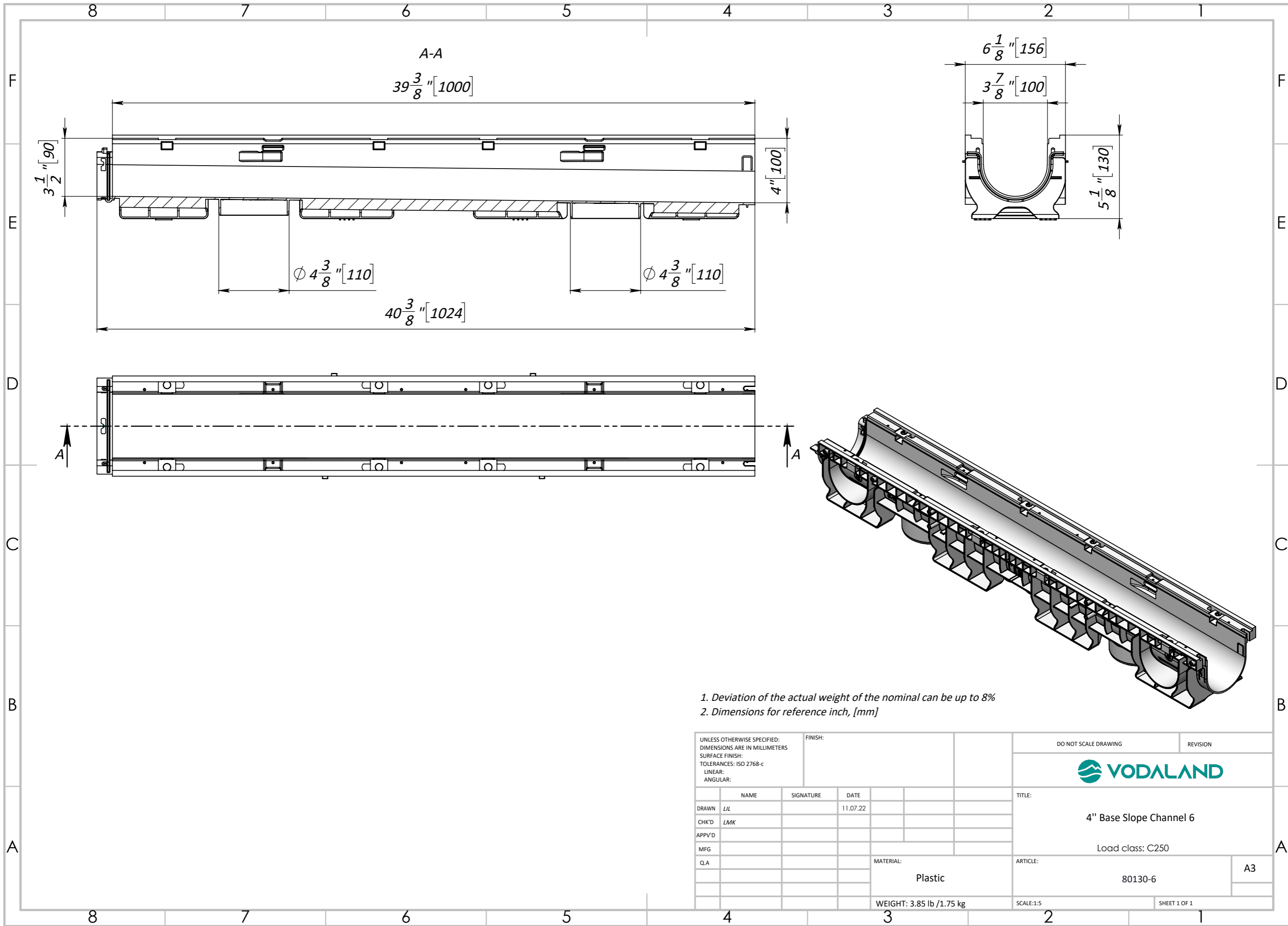
1. Deviation of the actual weight of the nominal can be up to 8%
2. Dimensions for reference inch, [mm]

UNLESS OTHERWISE SPECIFIED: DIMENSIONS ARE IN MILLIMETERS SURFACE FINISH: TOLERANCES: ISO 2768-c LINEAR: ANGULAR:				FINISH:		DO NOT SCALE DRAWING		REVISION	
DRAWN <i>LIL</i>				SIGNATURE		DATE		TITLE:	
CHK'D <i>LMK</i>						07.07.22		4" Base Slope Channel 4	
APPV'D								Load class: C250	
MFG								ARTICLE:	
Q.A								80110-4	
				MATERIAL:		Plastic		A3	
				WEIGHT: 3.64 lb /1.65 kg		SCALE:1:5		SHEET 1 OF 1	



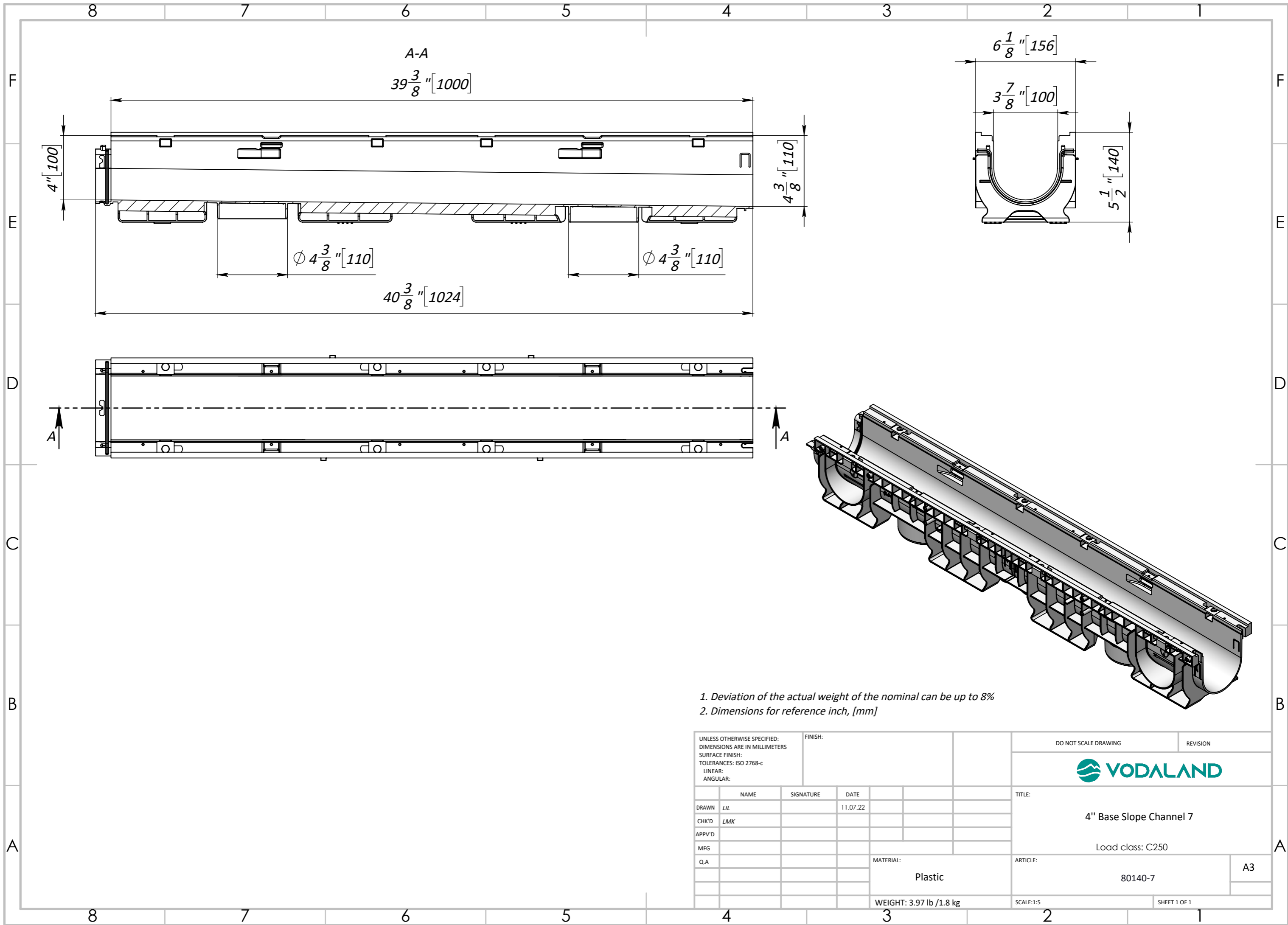
1. Deviation of the actual weight of the nominal can be up to 8%
2. Dimensions for reference inch, [mm]

UNLESS OTHERWISE SPECIFIED: DIMENSIONS ARE IN MILLIMETERS SURFACE FINISH: TOLERANCES: ISO 2768-c LINEAR: ANGULAR:				FINISH:		DO NOT SCALE DRAWING		REVISION	
DRAWN <i>L/L</i>				SIGNATURE		TITLE:		4" Base Slope Channel 5	
CHK'D <i>LMK</i>				DATE 08.07.22		Load class: C250		ARTICLE:	
APPV'D						80120-5		A3	
MFG				MATERIAL:		Plastic		SCALE: 1:5	
Q.A				WEIGHT: 3.65 lb / 1.66 kg		SHEET 1 OF 1			



1. Deviation of the actual weight of the nominal can be up to 8%
2. Dimensions for reference inch, [mm]

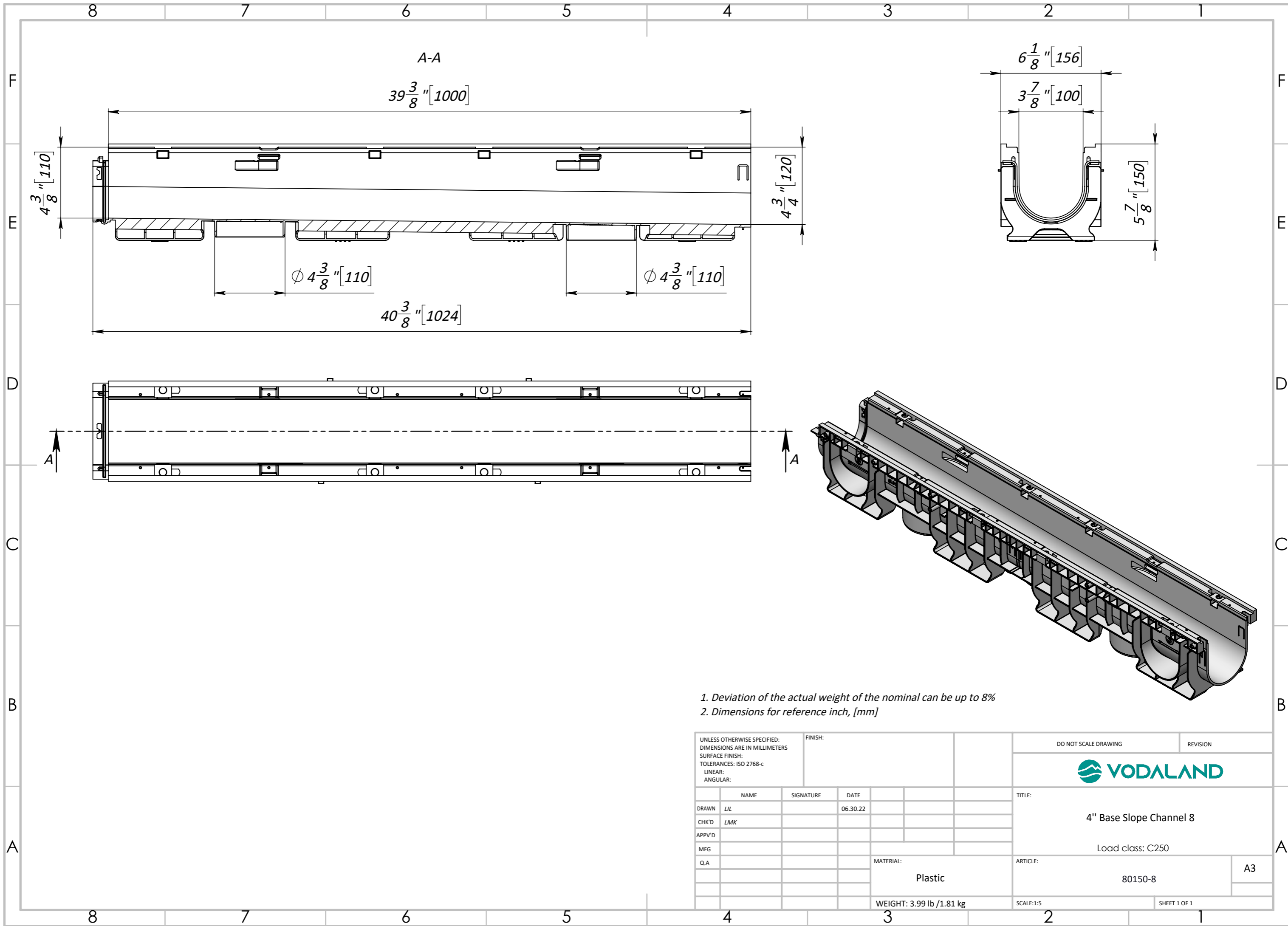
UNLESS OTHERWISE SPECIFIED: DIMENSIONS ARE IN MILLIMETERS SURFACE FINISH: TOLERANCES: ISO 2768-c LINEAR: ANGULAR:				FINISH:		DO NOT SCALE DRAWING		REVISION	
DRAWN <i>L/L</i>				SIGNATURE		DATE		TITLE:	
CHK'D <i>LMK</i>						11.07.22		4" Base Slope Channel 6	
APPV'D								Load class: C250	
MFG								ARTICLE:	
Q.A								80130-6	
				MATERIAL:		Plastic		A3	
				WEIGHT: 3.85 lb /1.75 kg		SCALE:1:5		SHEET 1 OF 1	



1. Deviation of the actual weight of the nominal can be up to 8%
2. Dimensions for reference inch, [mm]

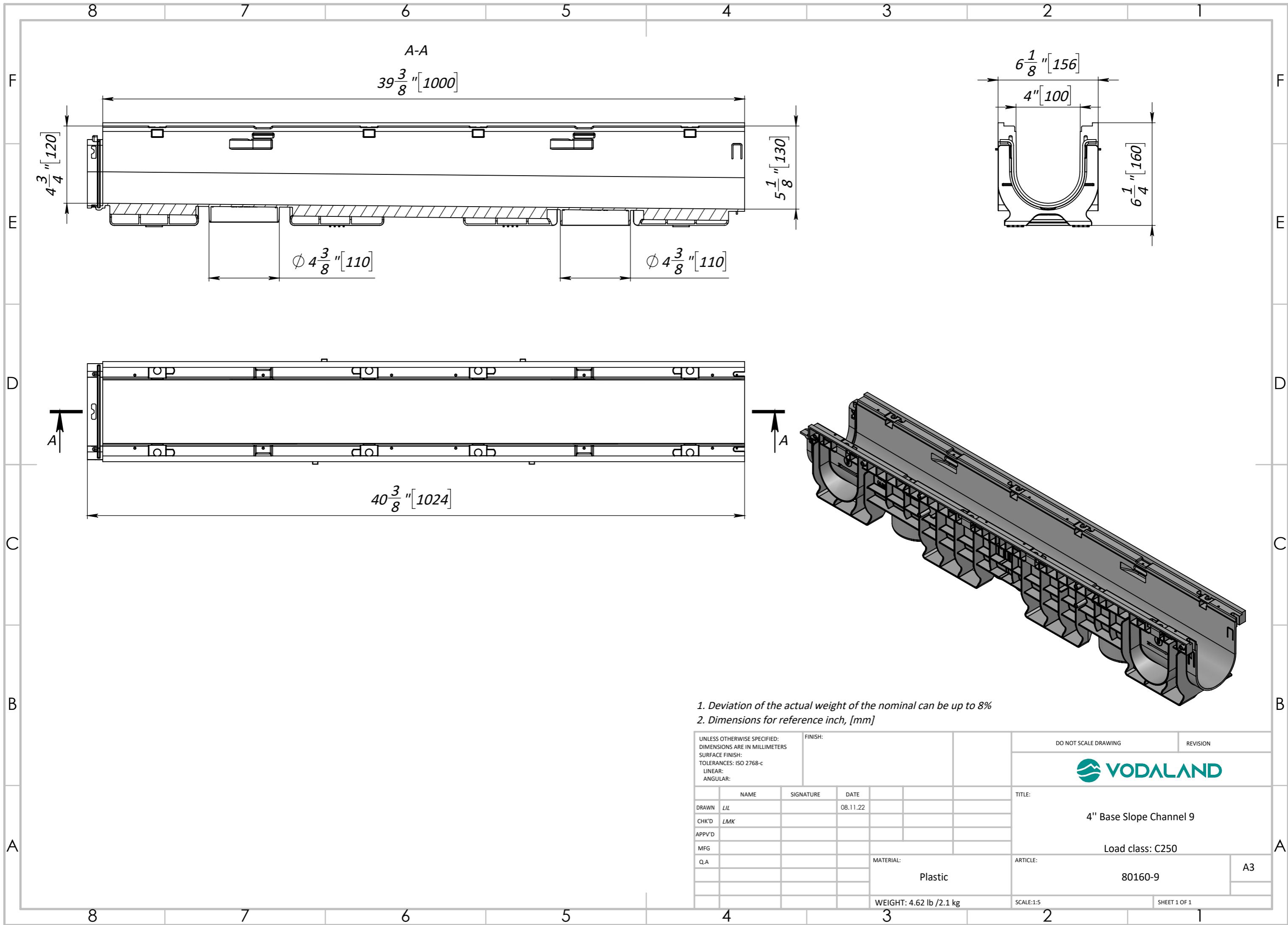
UNLESS OTHERWISE SPECIFIED: DIMENSIONS ARE IN MILLIMETERS SURFACE FINISH: TOLERANCES: ISO 2768-c LINEAR: ANGULAR:				FINISH:		DO NOT SCALE DRAWING		REVISION	
						TITLE: 4" Base Slope Channel 7			
						Load class: C250			
				MATERIAL: Plastic		ARTICLE: 80140-7		A3	
				WEIGHT: 3.97 lb /1.8 kg		SCALE:1:5		SHEET 1 OF 1	

	NAME	SIGNATURE	DATE
DRAWN	L/L		11.07.22
CHK'D	LMK		
APPV'D			
MFG			
Q.A			



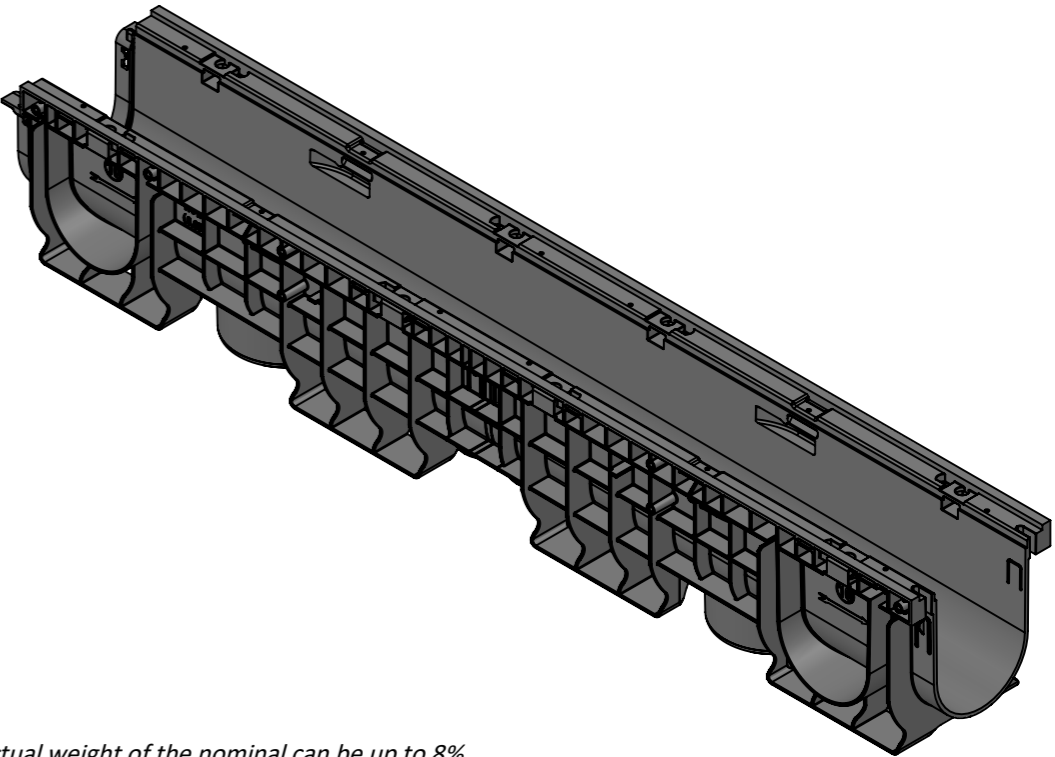
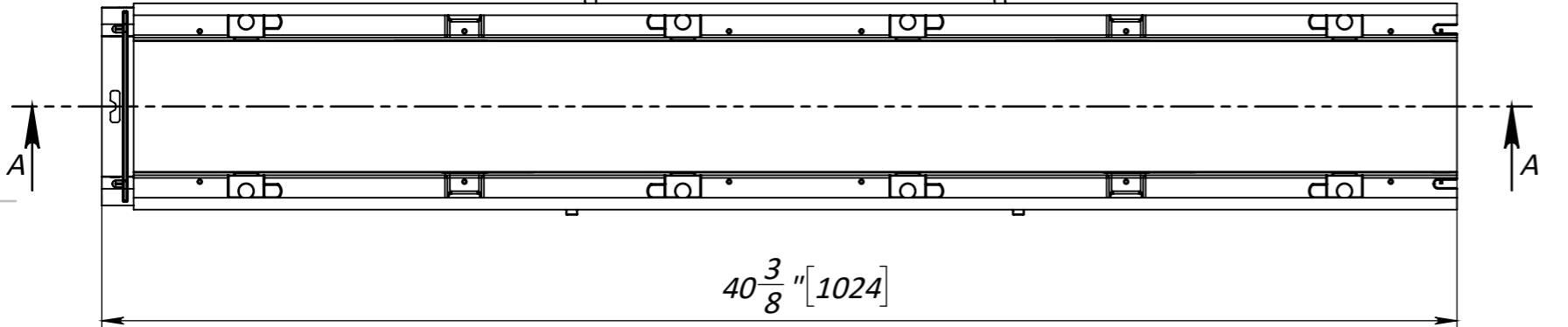
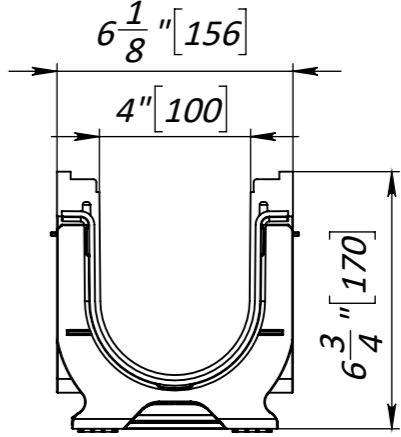
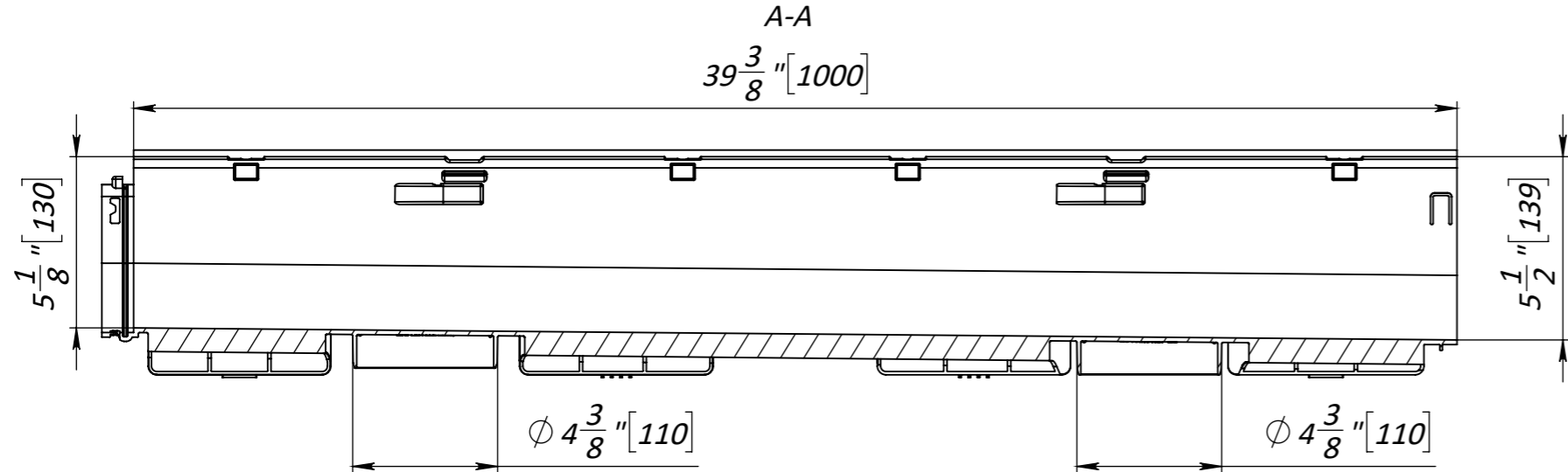
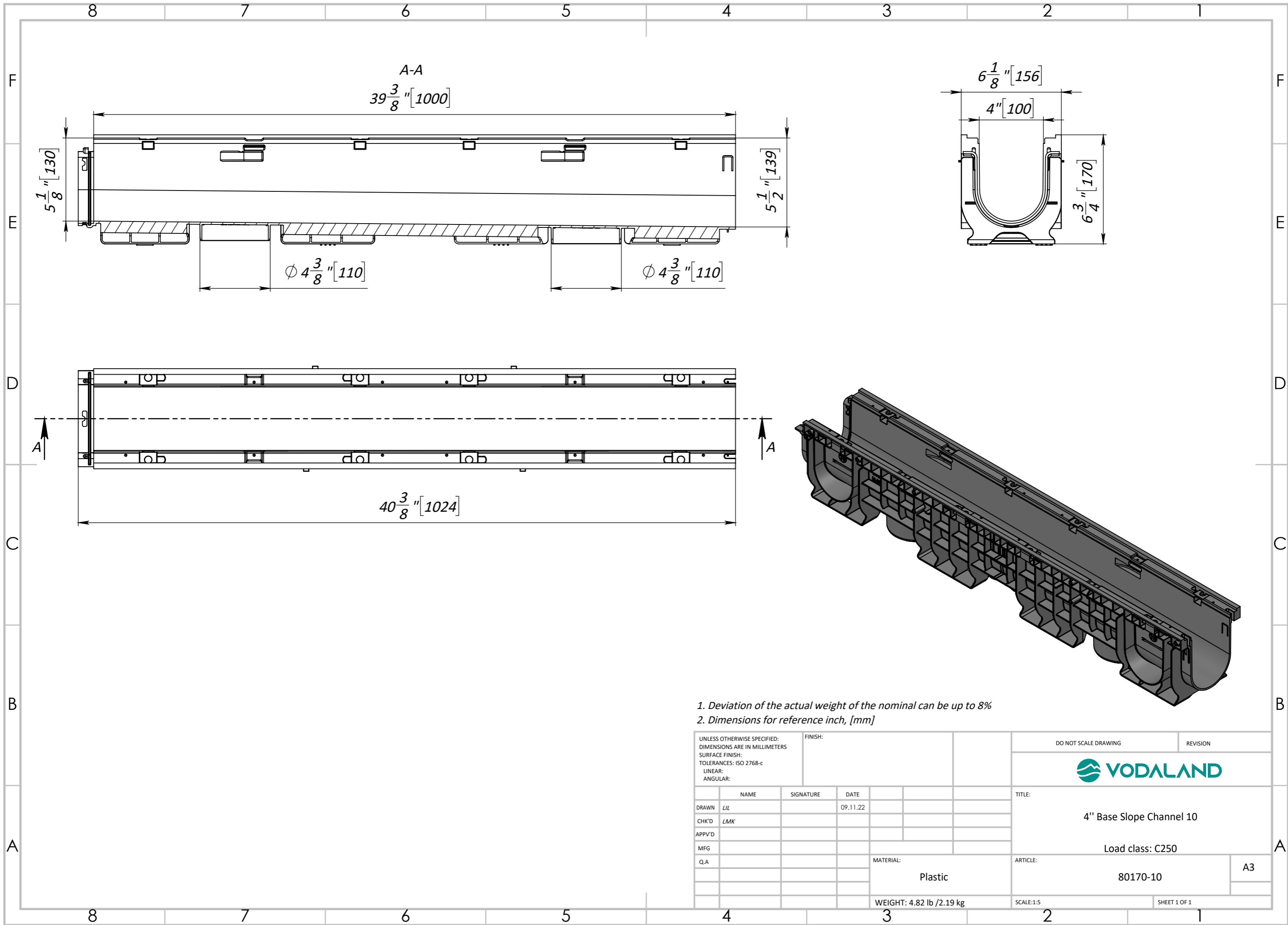
- 1. Deviation of the actual weight of the nominal can be up to 8%
- 2. Dimensions for reference inch, [mm]

UNLESS OTHERWISE SPECIFIED: DIMENSIONS ARE IN MILLIMETERS SURFACE FINISH: TOLERANCES: ISO 2768-c LINEAR: ANGULAR:				FINISH:		DO NOT SCALE DRAWING		REVISION	
DRAWN <i>LIL</i>				SIGNATURE		DATE 06.30.22		TITLE: 4" Base Slope Channel 8	
CHK'D <i>LMK</i>								Load class: C250	
APPV'D								ARTICLE: 80150-8	
MFG								A3	
Q.A						MATERIAL: Plastic		SCALE:1:5	
						WEIGHT: 3.99 lb /1.81 kg		SHEET 1 OF 1	



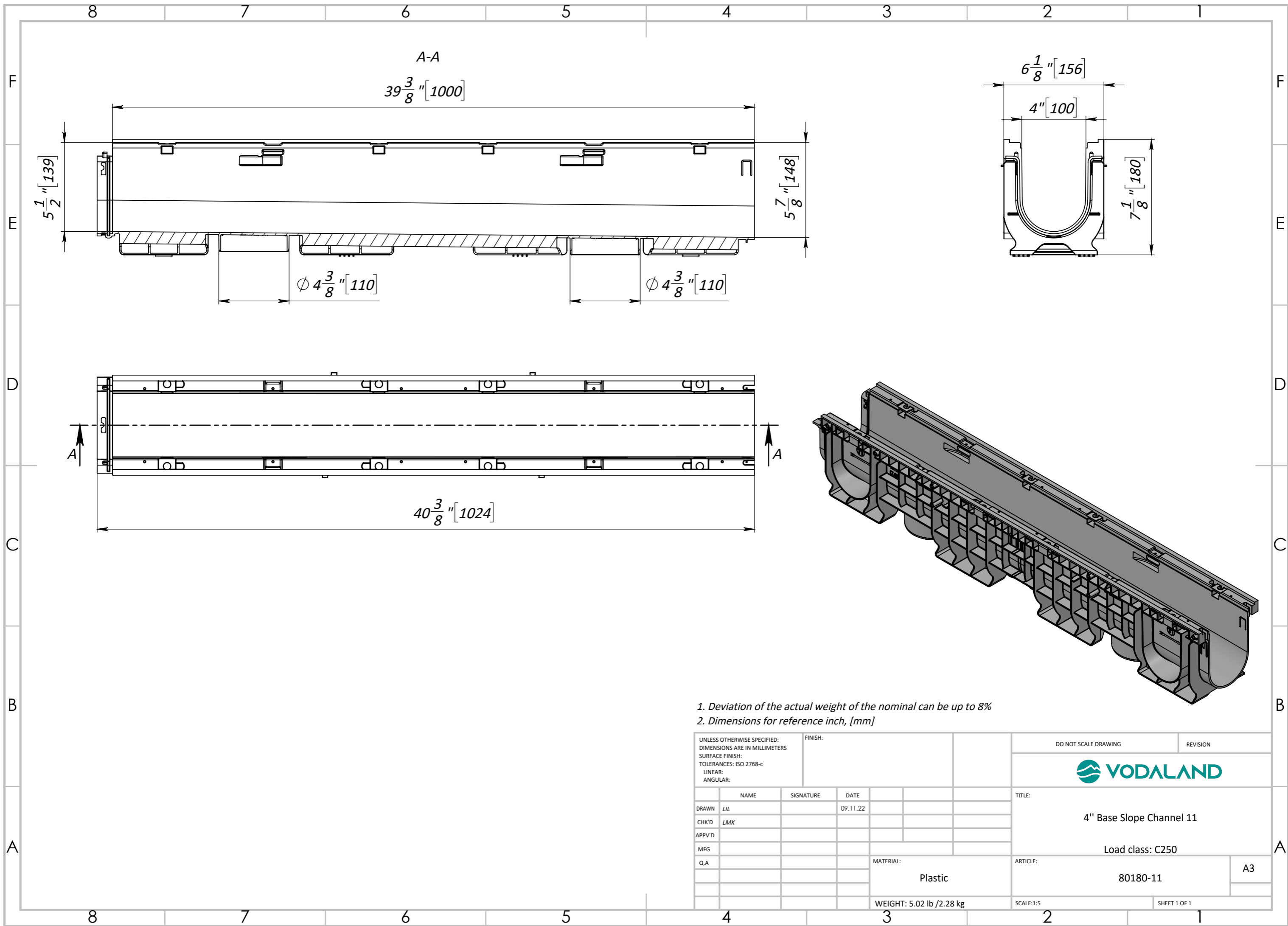
- 1. Deviation of the actual weight of the nominal can be up to 8%
- 2. Dimensions for reference inch, [mm]

UNLESS OTHERWISE SPECIFIED: DIMENSIONS ARE IN MILLIMETERS SURFACE FINISH: TOLERANCES: ISO 2768-c LINEAR: ANGULAR:				FINISH:		DO NOT SCALE DRAWING		REVISION	
DRAWN: L/L				SIGNATURE:		TITLE:		A3	
CHK'D: LMK				DATE: 08.11.22		4" Base Slope Channel 9			
APPV'D:						Load class: C250			
MFG:						ARTICLE:		80160-9	
Q.A:				MATERIAL: Plastic		WEIGHT: 4.62 lb /2.1 kg		SCALE:1:5	
						SHEET 1 OF 1			



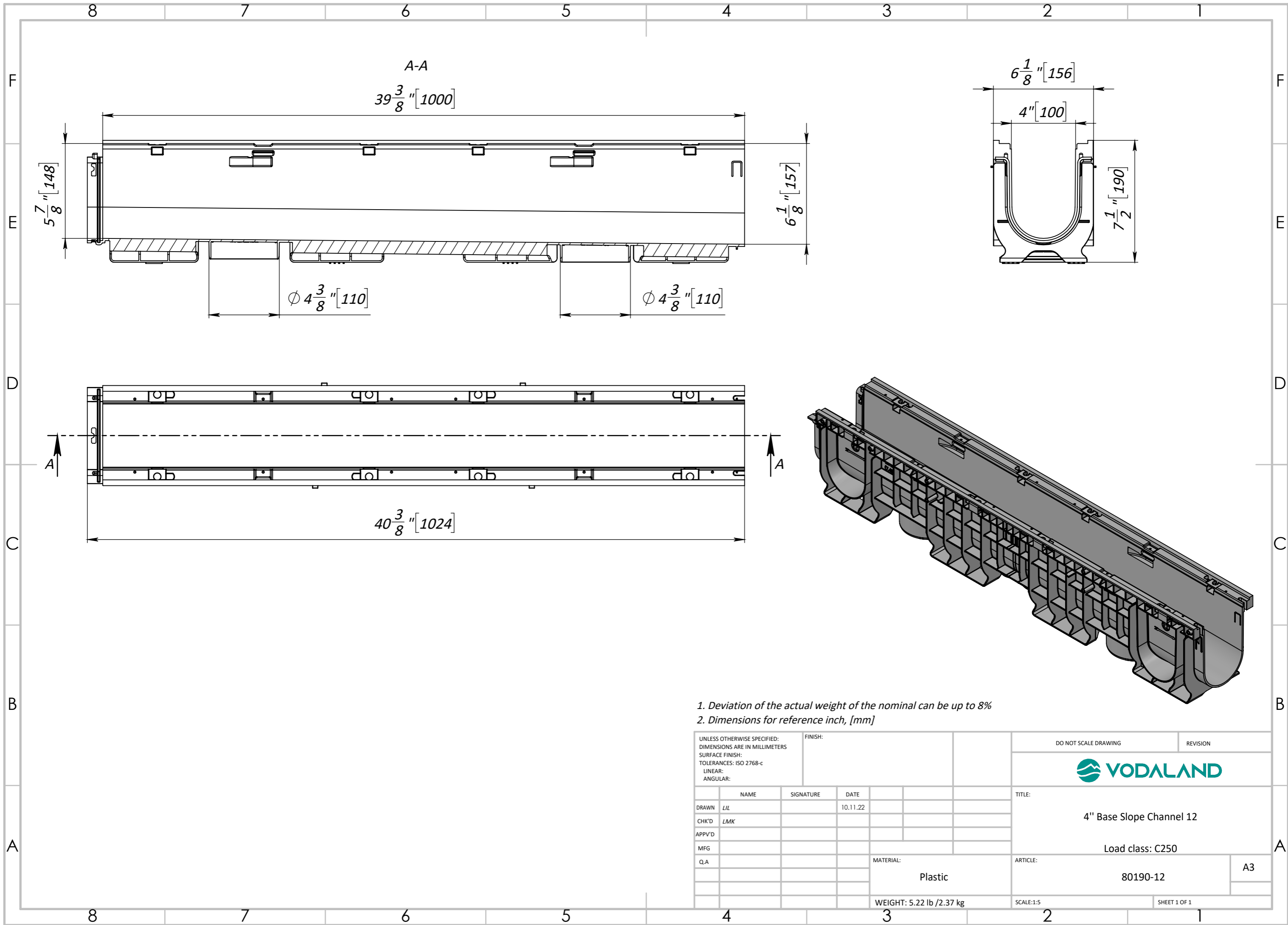
1. Deviation of the actual weight of the nominal can be up to 8%
2. Dimensions for reference inch, [mm]

UNLESS OTHERWISE SPECIFIED: DIMENSIONS ARE IN MILLIMETERS SURFACE FINISH: TOLERANCES: ISO 2768-c LINEAR: ANGULAR:				FINISH:		DO NOT SCALE DRAWING		REVISION	
DRAWN L/L				SIGNATURE		DATE 09.11.22		TITLE:	
CHK'D LMK								4" Base Slope Channel 10	
APPV'D								Load class: C250	
MFG								ARTICLE:	
Q.A						MATERIAL: Plastic		80170-10	
						WEIGHT: 4.82 lb /2.19 kg		SCALE:1:5	
								SHEET 1 OF 1	
								A3	



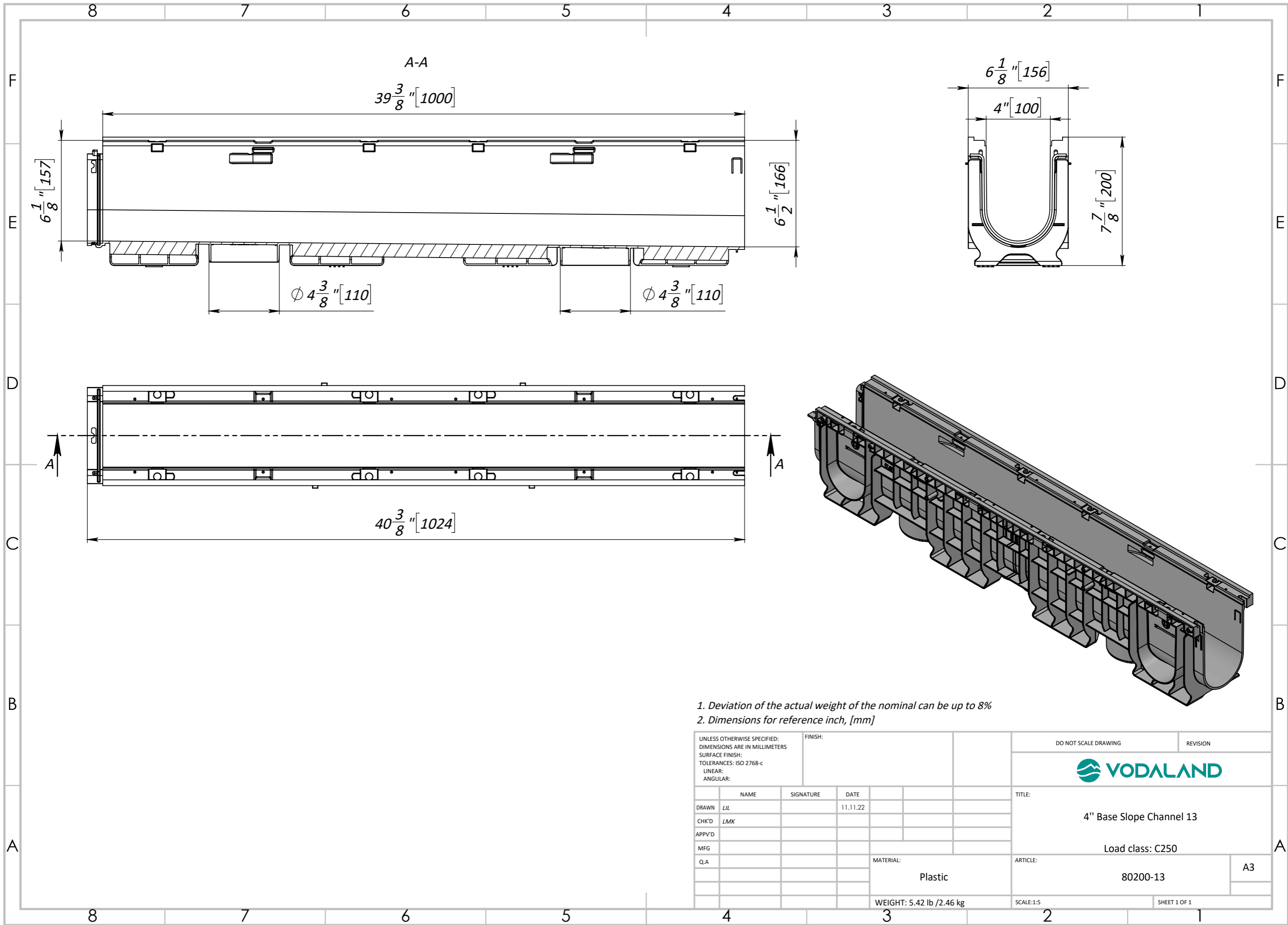
- 1. Deviation of the actual weight of the nominal can be up to 8%
- 2. Dimensions for reference inch, [mm]

UNLESS OTHERWISE SPECIFIED: DIMENSIONS ARE IN MILLIMETERS SURFACE FINISH: TOLERANCES: ISO 2768-c LINEAR: ANGULAR:				FINISH:		DO NOT SCALE DRAWING		REVISION	
DRAWN <i>L/L</i>				SIGNATURE		TITLE:		4" Base Slope Channel 11	
CHK'D <i>LMK</i>				DATE 09.11.22		Load class: C250		ARTICLE:	
APPV'D						80180-11		A3	
MFG				MATERIAL: Plastic		SCALE: 1:5		SHEET 1 OF 1	
Q.A				WEIGHT: 5.02 lb / 2.28 kg					



- 1. Deviation of the actual weight of the nominal can be up to 8%
- 2. Dimensions for reference inch, [mm]

UNLESS OTHERWISE SPECIFIED: DIMENSIONS ARE IN MILLIMETERS SURFACE FINISH: TOLERANCES: ISO 2768-c LINEAR: ANGULAR:				FINISH:		DO NOT SCALE DRAWING		REVISION	
DRAWN L/L				SIGNATURE		DATE		TITLE:	
CHK'D LMK						10.11.22		4" Base Slope Channel 12	
APPV'D								Load class: C250	
MFG								ARTICLE:	
Q.A						MATERIAL:		80190-12	
						Plastic		A3	
						WEIGHT: 5.22 lb /2.37 kg		SCALE:1:5	
								SHEET 1 OF 1	



1. Deviation of the actual weight of the nominal can be up to 8%
2. Dimensions for reference inch, [mm]

UNLESS OTHERWISE SPECIFIED: DIMENSIONS ARE IN MILLIMETERS SURFACE FINISH: TOLERANCES: ISO 2768-c LINEAR: ANGULAR:				FINISH:		DO NOT SCALE DRAWING		REVISION	
DRAWN L/L				SIGNATURE		DATE 11.11.22		TITLE:	
CHK'D LMK								4" Base Slope Channel 13	
APPV'D								Load class: C250	
MFG								ARTICLE:	
Q.A						MATERIAL: Plastic		80200-13	
						WEIGHT: 5.42 lb /2.46 kg		SCALE:1:5	
								SHEET 1 OF 1	
								A3	