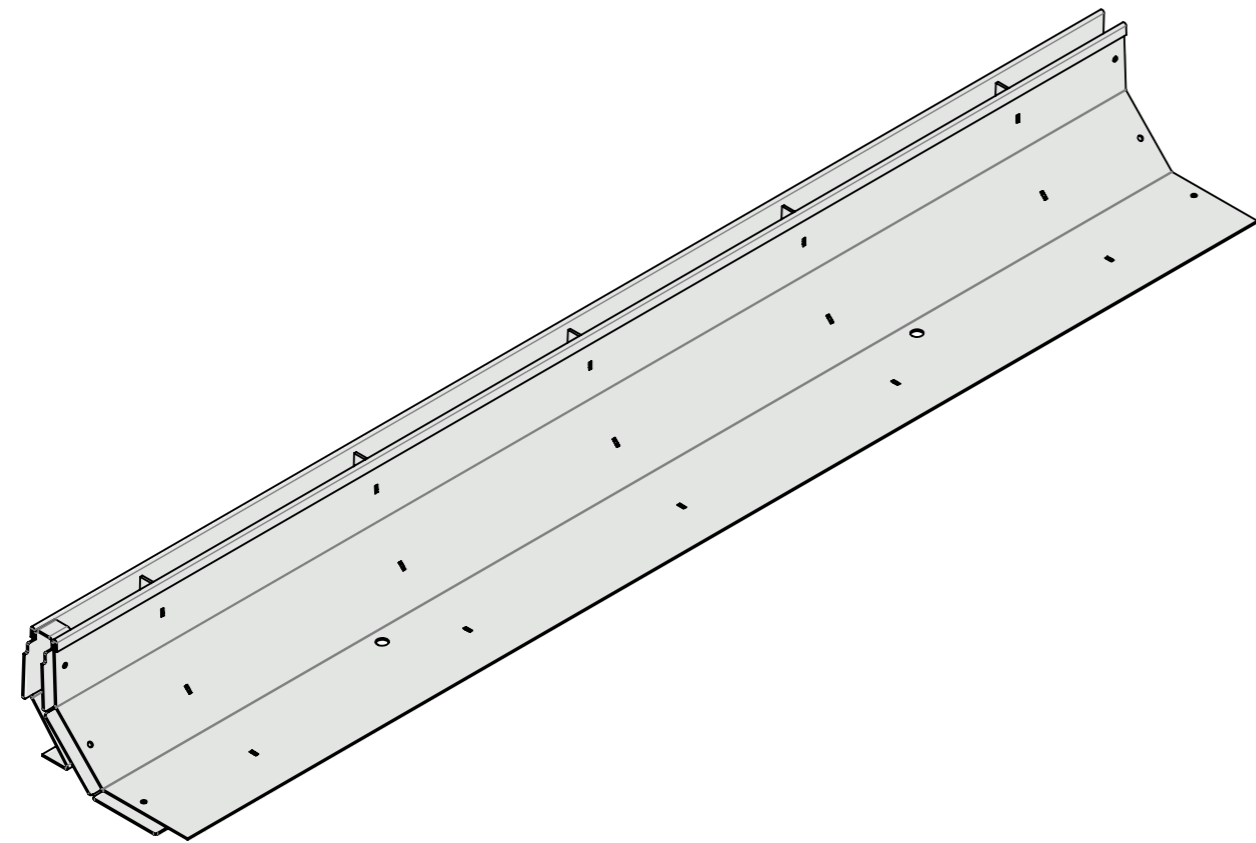
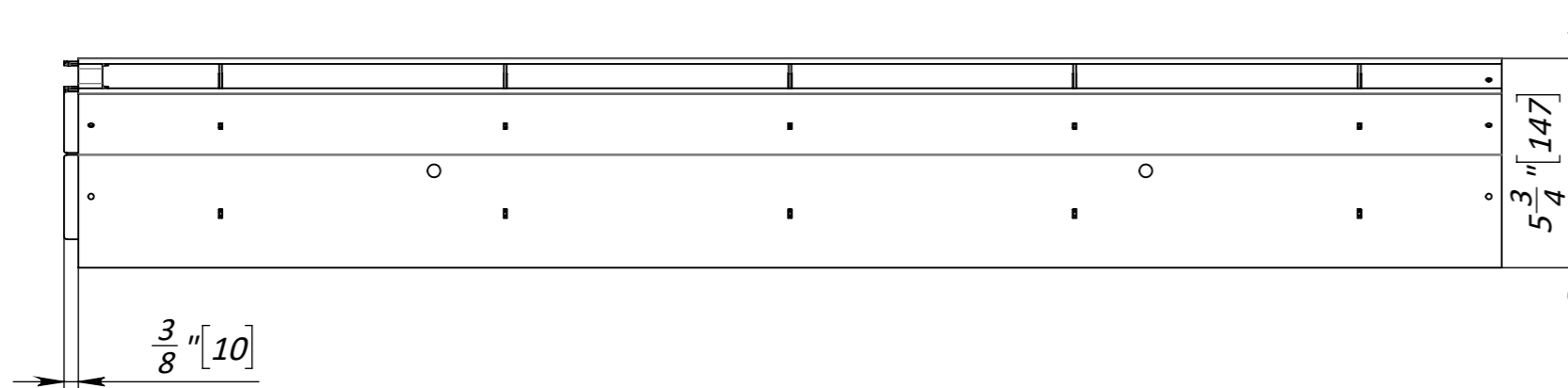
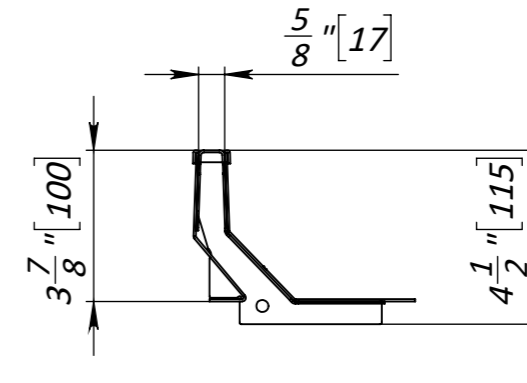



$39\frac{3}{8}$ " [1000]



1. Dimensions for reference inch [mm].
2. Hot dip galvanized according to ISO 1461:2009.
3. Delivery and packaging are carried out in accordance with the terms of the contract
4. The manufacturer reserves the right, without notice to the consumer, to make changes to the design of the products for improvement of their technological and operational parameters, which will not affect the quality and properties of the product.
5. Load class can be achieved according to intallation scheme.

UNLESS OTHERWISE SPECIFIED: DIMENSIONS ARE IN MILLIMETERS SURFACE FINISH: TOLERANCES: ISO 2768-m LINEAR: ANGULAR:		FINISH: Hot dip galvanized		DEBURR AND BREAK SHARP EDGES		DO NOT SCALE DRAWING		REVISION V.3	
DRAWN: Markovych		SIGNATURE:		DATE: 15.08.22		 <p>TITLE: 4" Base Channel Galvanized Steel Slot Drain L-type H4" A15-C250</p> <p>Load class A15-C250</p> <p>ARTICLE: 2017-1L-100</p> <p>SCALE: 1:5</p>			
CHK'D: Halushka									
APPV'D:									
MFG:									
Q.A:									
		MATERIAL: Galvanized Steel		ARTICLE: 2017-1L-100		A3		SHEET 1 OF 1	
		WEIGHT: 9.7 lb /4.43kg							