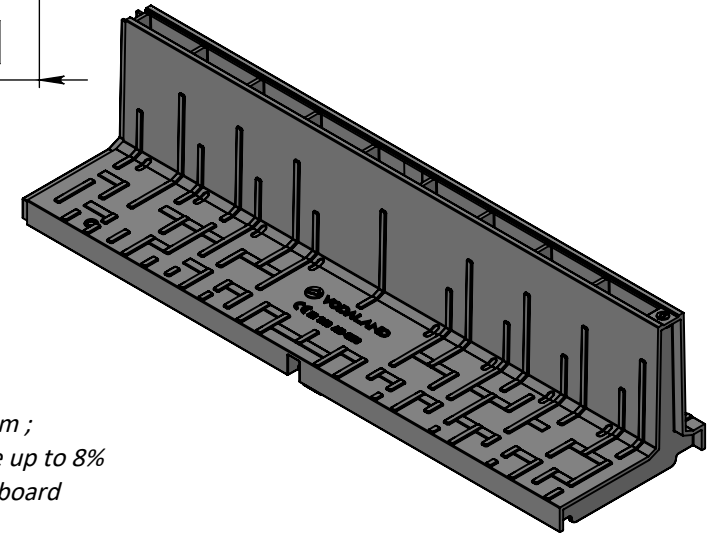
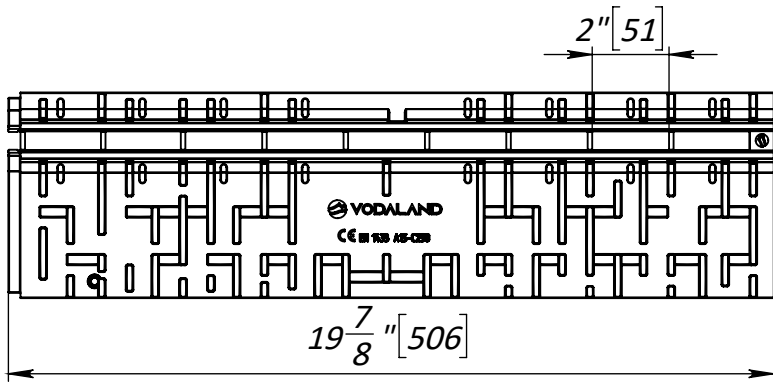
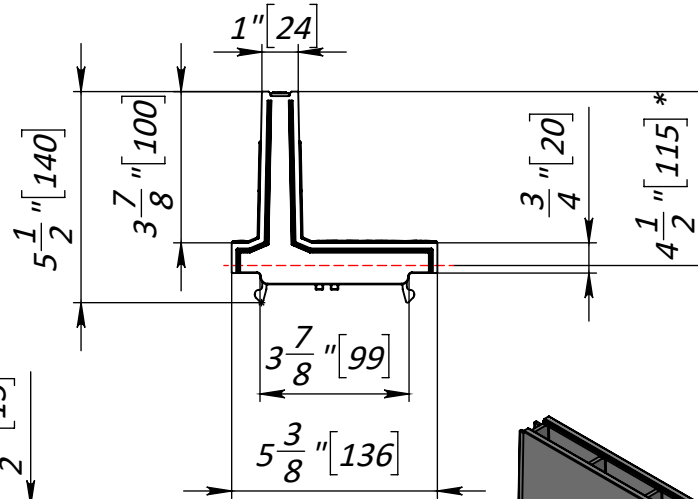
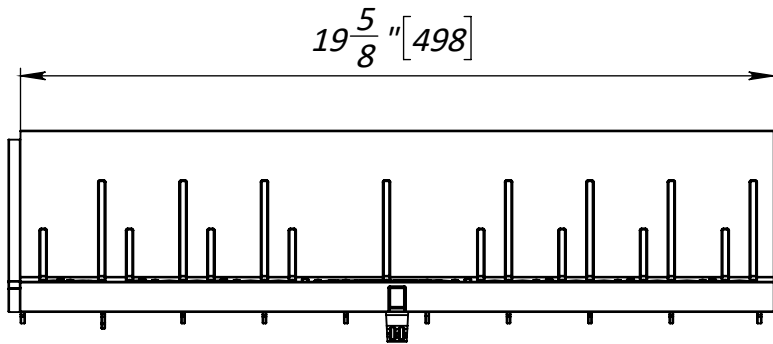


6 5 4 3 2 1



1. Dimensions for reference, inch [mm]
2. Area of water intake slots 8.75 sq inch / 56.47 sq cm ;
3. Deviation of the actual weight of the nominal can be up to 8%
4. \*-mounting height for Base channels with standard board

UNLESS OTHERWISE SPECIFIED:  
 DIMENSIONS ARE IN MILLIMETERS  
 SURFACE FINISH:  
 TOLERANCES: ISO 2768-c  
 LINEAR:  
 ANGULAR:

FINISH:

DO NOT SCALE DRAWING

REVISION



	NAME	SIGNATURE	DATE	
DRAWN	LMV		09.06.22	
CHK'D	LMK			
APPV'D				
MFG				
Q.A				
			MATERIAL:	
			Plastic	
			WEIGHT: 1.78 lb / 0.81 kg	

TITLE:

4" Plastic slot drain L-type H3.94" for channel Base A15-C250

Load class: A15-C250

Article:

2087-L-100

A4

SCALE:1:5

SHEET 1 OF 1

6 5 4 3 2 1

D  
C  
B  
A

D  
C  
B  
A