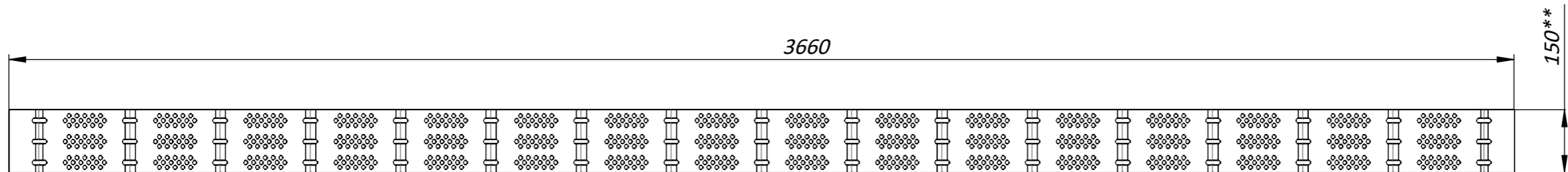


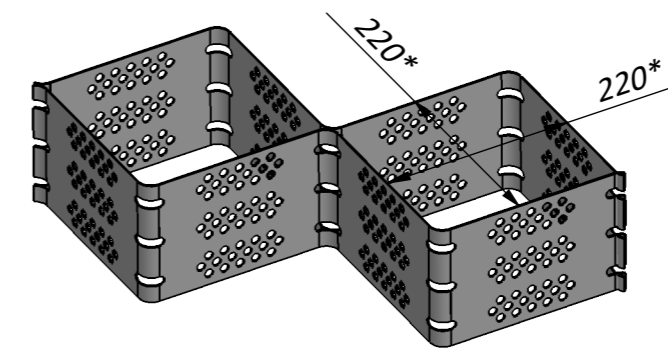
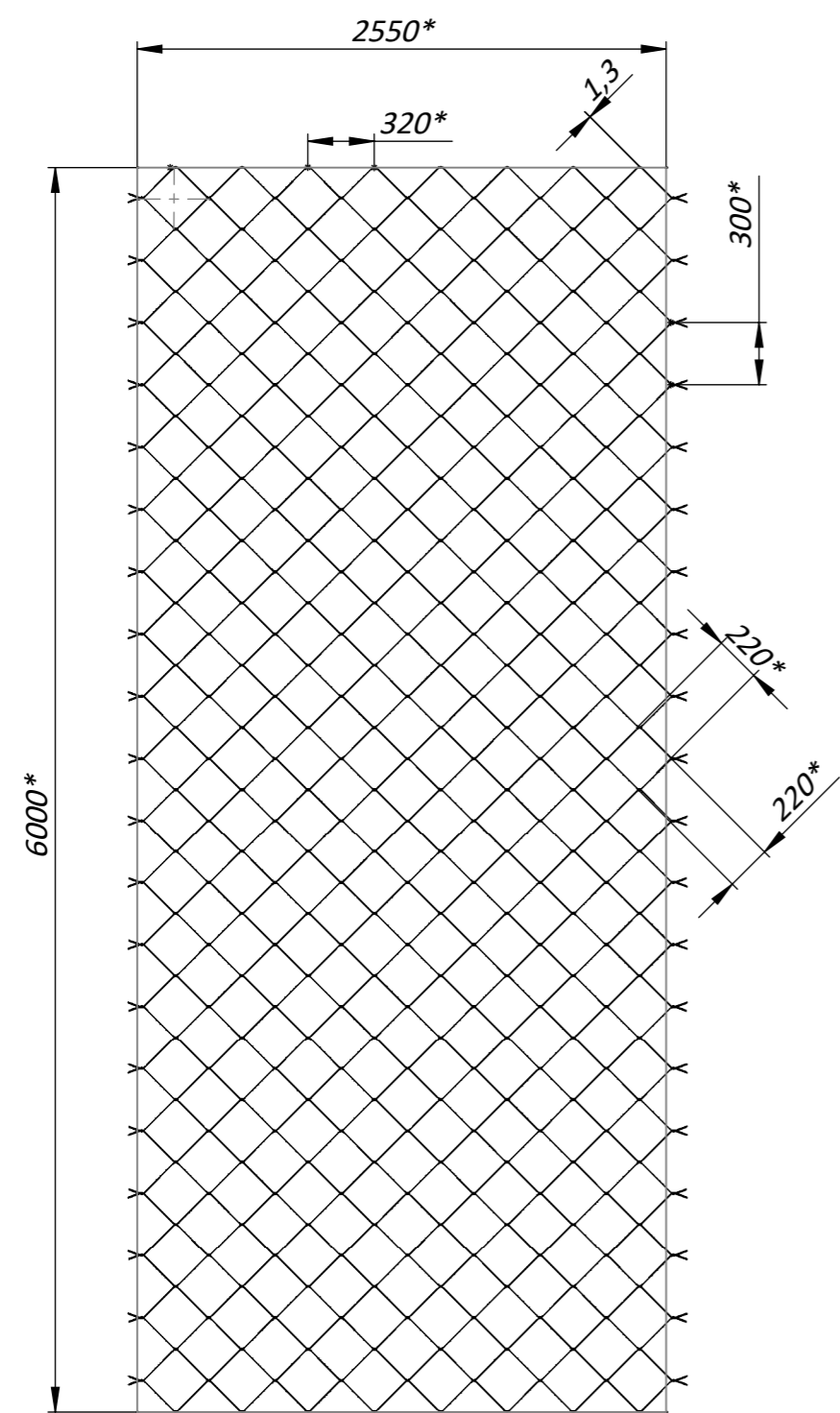
8 7 6 5 4 3 2 1

F F

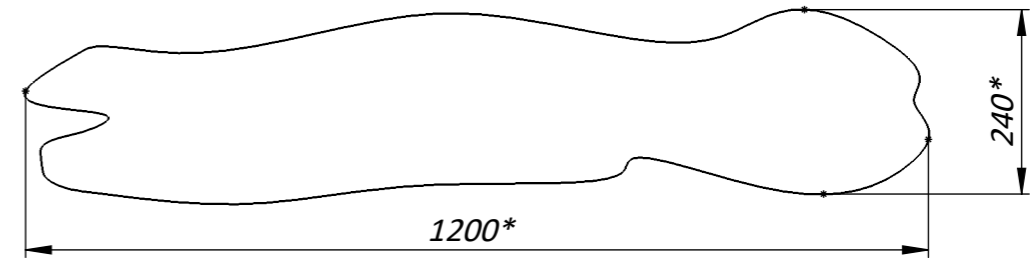


Isometric view of cells

Top view of the mounted module



Top view of the packaged module in the transport position



1. \* - size for reference.
2. \*\* - size with tolerance  $\pm 5$  mm.
3.  $\pm IT21/2$  ISO 286-2: 2010.
3. Diagonal cells can be developed in any form.
4. Estimated installation area of the deployed module is  $15.3 \text{ m}^2$ .
5. Estimated area of cells  $0.04798 \text{ m}^2$ .
6. Number of cells 293 pcs.
7. Strip thickness  $1.3 \pm 0.2$  mm.
8. The deviation of the actual mass from the nominal can be up to 12%.

D D C C B B A A

8 7 6 5 4 3 2 1

UNLESS OTHERWISE SPECIFIED: DIMENSIONS ARE IN MILLIMETERS SURFACE FINISH: TOLERANCES: LINEAR: ANGULAR:			FINISH:		DO NOT SCALE DRAWING		REVISION		
					TITLE: Plastic geolattice H150 mesh 220x220				
DRAWN: PYY			SIGNATURE:		DATE: 27.09.23		ARTICLE: 8730		
CHK'D: PMK							A3		
APPV'D:							SCALE: 1:50		
MFG:							SHEET 1 OF 1		
Q.A:					MATERIAL: Plastic		WEIGHT: 18.1 kg		