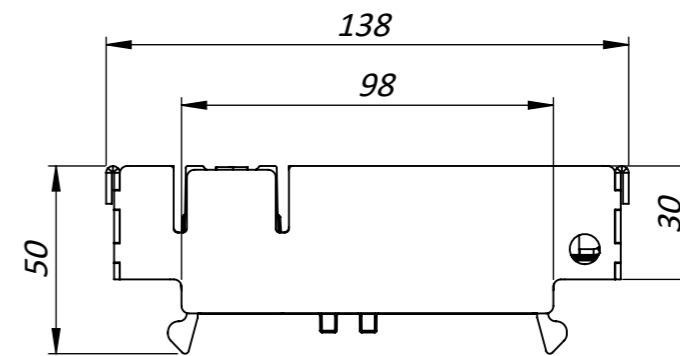
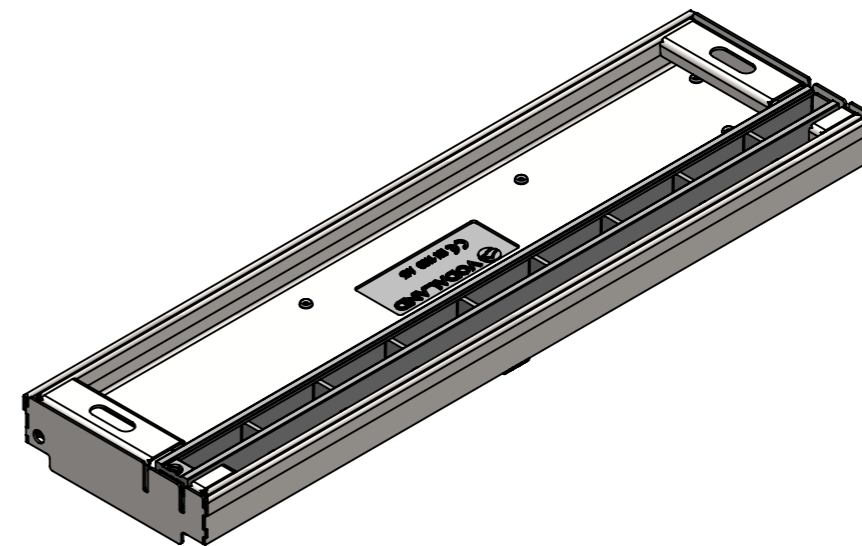
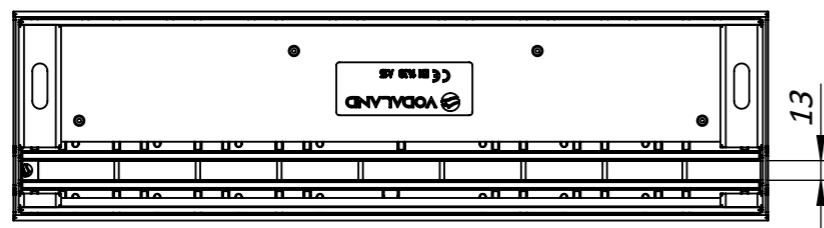



A



A (1 : 2)



1. Deviation of the actual weight of the nominal can be up to 8%.
2. Hydraulic cross-sectional area - 57 cm².

UNLESS OTHERWISE SPECIFIED: DIMENSIONS ARE IN MILLIMETERS SURFACE FINISH: TOLERANCES: ISO 2768-c LINEAR: ANGULAR:			FINISH:		DEBURR AND BREAK SHARP EDGES		DO NOT SCALE DRAWING		REVISION	
									TITLE: Composite revision with a galvanized steel frame of slot plastic drain L-type H25 for channel Base DN100 A15	
							ARTICLE:		A3	
							201875-L-25			
					WEIGHT: 1.89 kg		SCALE:1:5		SHEET 1 OF 1	