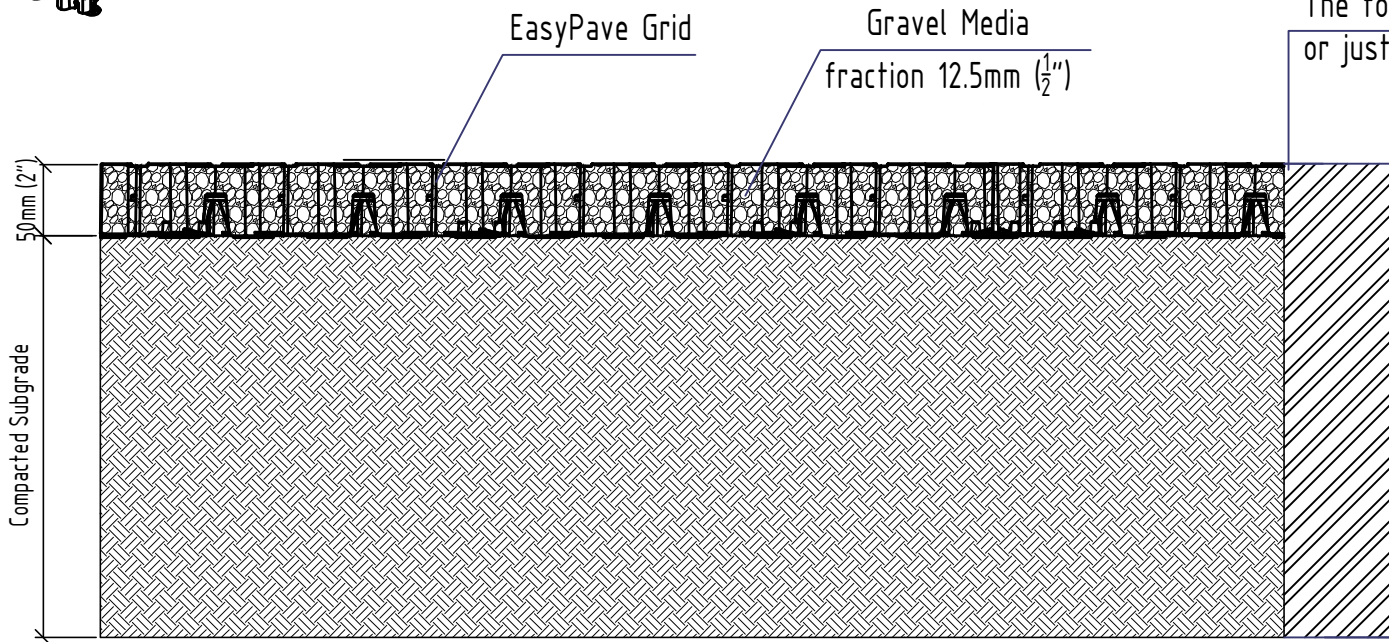
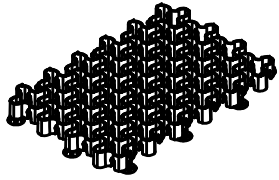
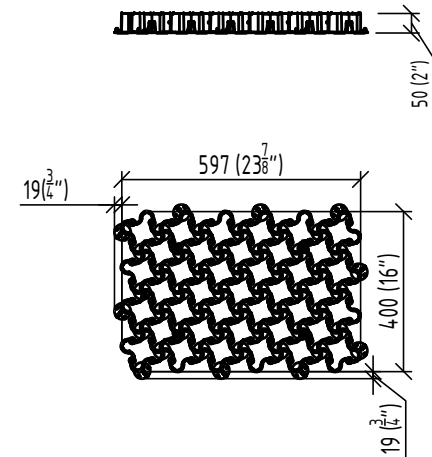


EasyPave Gravel fill (Light Loads)



The top of the Easypave grid should be flush or just below the surrounding surface

EasyPave (art.8100-M)



NOTES:

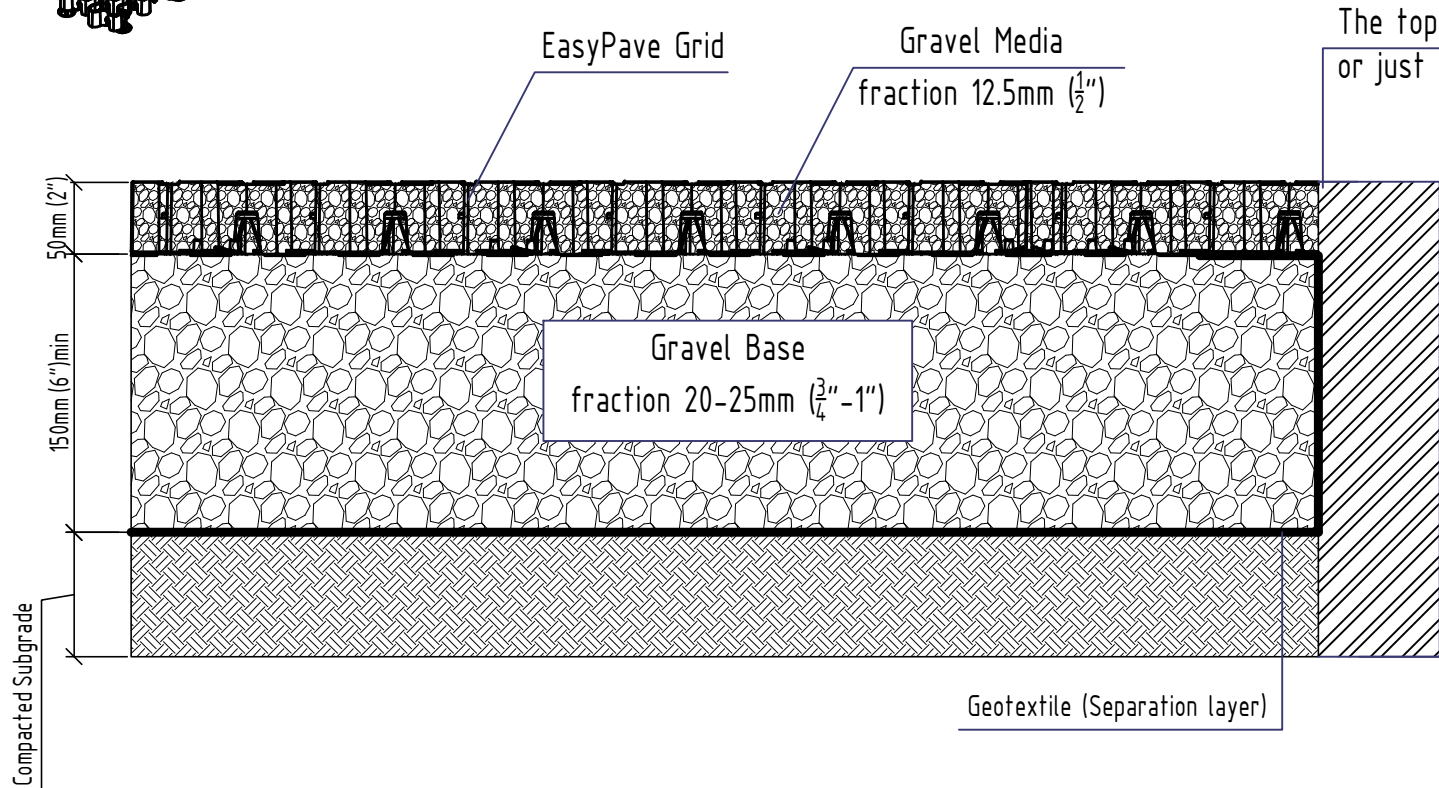
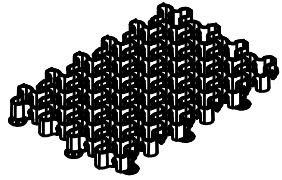
1. Layers shown in cross-section need to be compacted.
2. Anchors are recommended for sloped installations.
3. Please follow guidance of your local engineer for slope requirements.
4. This drawing is for conceptual design and information use only.

Application

Residential walkways, Pedestrian Zones, Erosion Control, Slope Stabilization

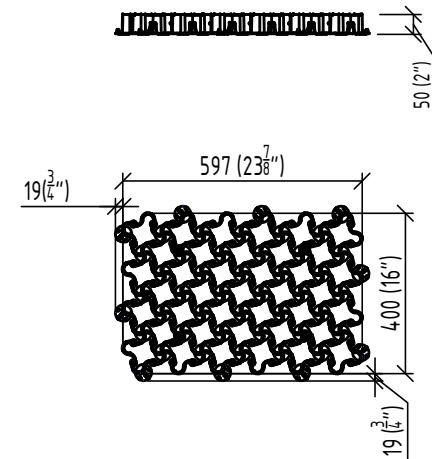
UNLESS OTHERWISE SPECIFIED DIMENSIONS ARE IN MILLIMETERS SURFACE FINISH TOLERANCES LINEAR ANGULAR				FINISH		DEBURR AND BREAK SHARP EDGES		DO NOT SCALE DRAWING		REVISION	
DRAWN				NAME		SIGNATURE		DATE		TITLE	
CHK'D										EasyPave Gravel fill (Light Loads)	
APPV'D											
APPV'D											
				MATERIAL		Plastic		ARTICLE		8100-M	

EasyPave Gravel fill (Medium Loads)



The top of the Easypave grid should be flush or just below the surrounding surface

EasyPave (art.8100-M)



Application

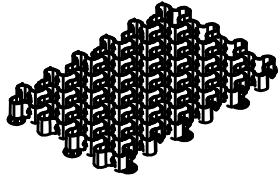
Permeable Parking lots & Driveways, Paddocks, Shed Bases, Outdoor warehousing

NOTES:

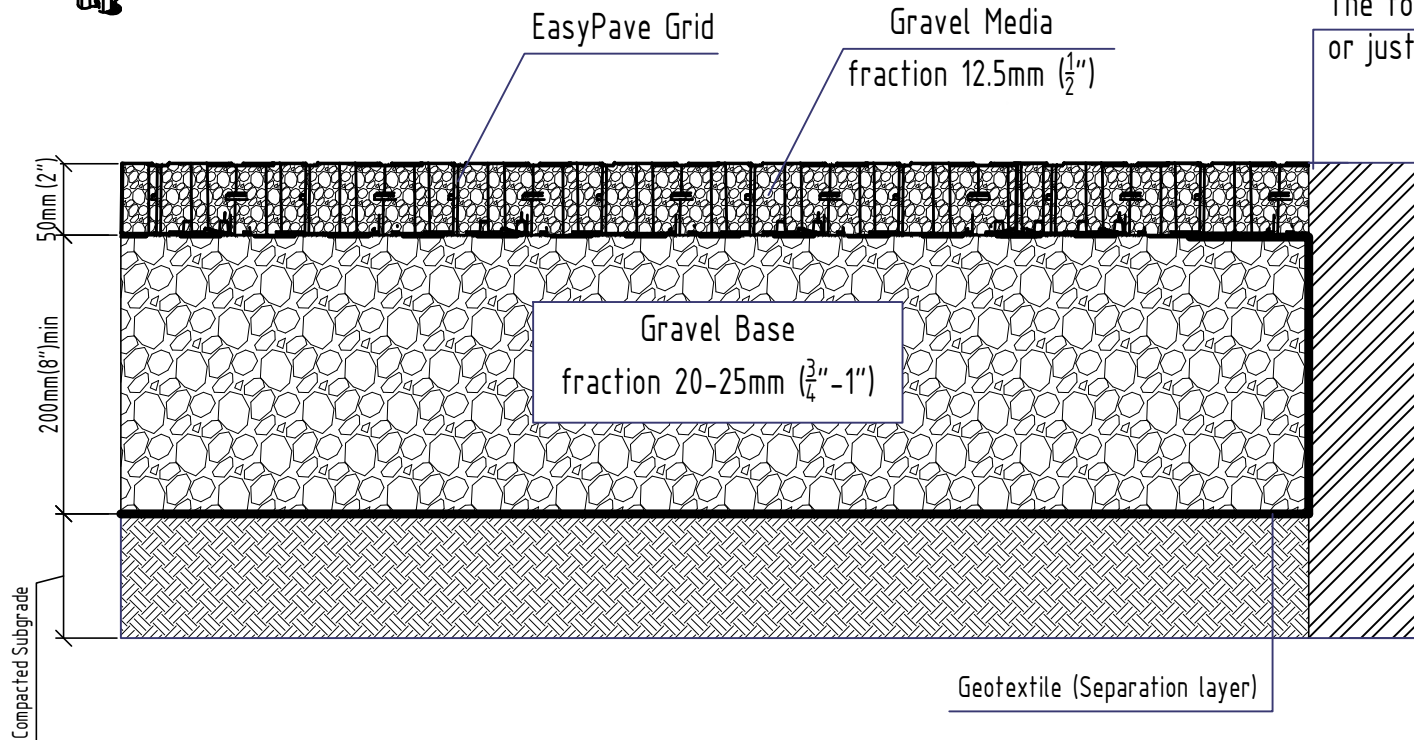
1. The base height shown in the cross-section depends on specific site and loading conditions.
2. Layers shown in cross-section need to be compacted.
3. Geo-textile is to be used for stability and to prevent mixing between layers.
4. Anchors are recommended for sloped installations.
Please follow guidance of your local engineer for slope requirements.
5. This drawing is for conceptual design and information use only.

UNLESS OTHERWISE SPECIFIED DIMENSIONS ARE IN MILLIMETERS		FINISH	DEBURR AND BREAK SHARP EDGES		TO NOT SCALE DRAWING	REVISOR
SURFACE FINISH TOLERANCES LINE: ANGULAR						
DRAWN	NAME	SIGNATURE	DATE		TITLE: EasyPave Gravel fill (Medium Loads)	
CHK'D						
APPV'D						
APPV'D				MATERIAL: Plastic	ARTICLE: 8100-M	

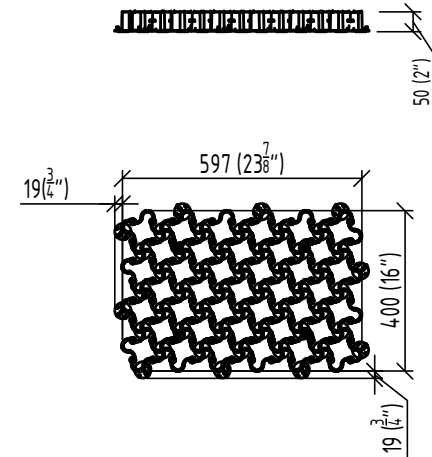
EasyPave Gravel fill (Heavy Loads)



The top of the Easypave grid should be flush or just below the surrounding surface



EasyPave (art.8100-M)



Application

Heavy Load Parking Lots, Emergency & Fire Lanes, Service Roads

NOTES:

1. The base height shown in the cross-section depends on specific site and loading conditions.
2. Layers shown in cross-section need to be compacted.
3. Geo-textile is to be used for stability and to prevent mixing between layers.
4. Anchors are recommended for sloped installations. Please follow guidance of your local engineer for slope requirements.
5. This drawing is for conceptual design and information use only.

UNLESS OTHERWISE SPECIFIED DIMENSIONS ARE IN MILLIMETERS		FINISH		DEBURR AND BREAK SHARP EDGES		DO NOT SCALE DRAWING		REVISION	
SURFACE FINISH: LINEAR ANGULAR									
DRAWN		NAME		SIGNATURE		DATE		TITLE:	
CHK'D								EasyPave Gravel fill (Heavy Loads)	
APPV'D								ARTICLE:	
						MATERIAL: Plastic		8100-M	