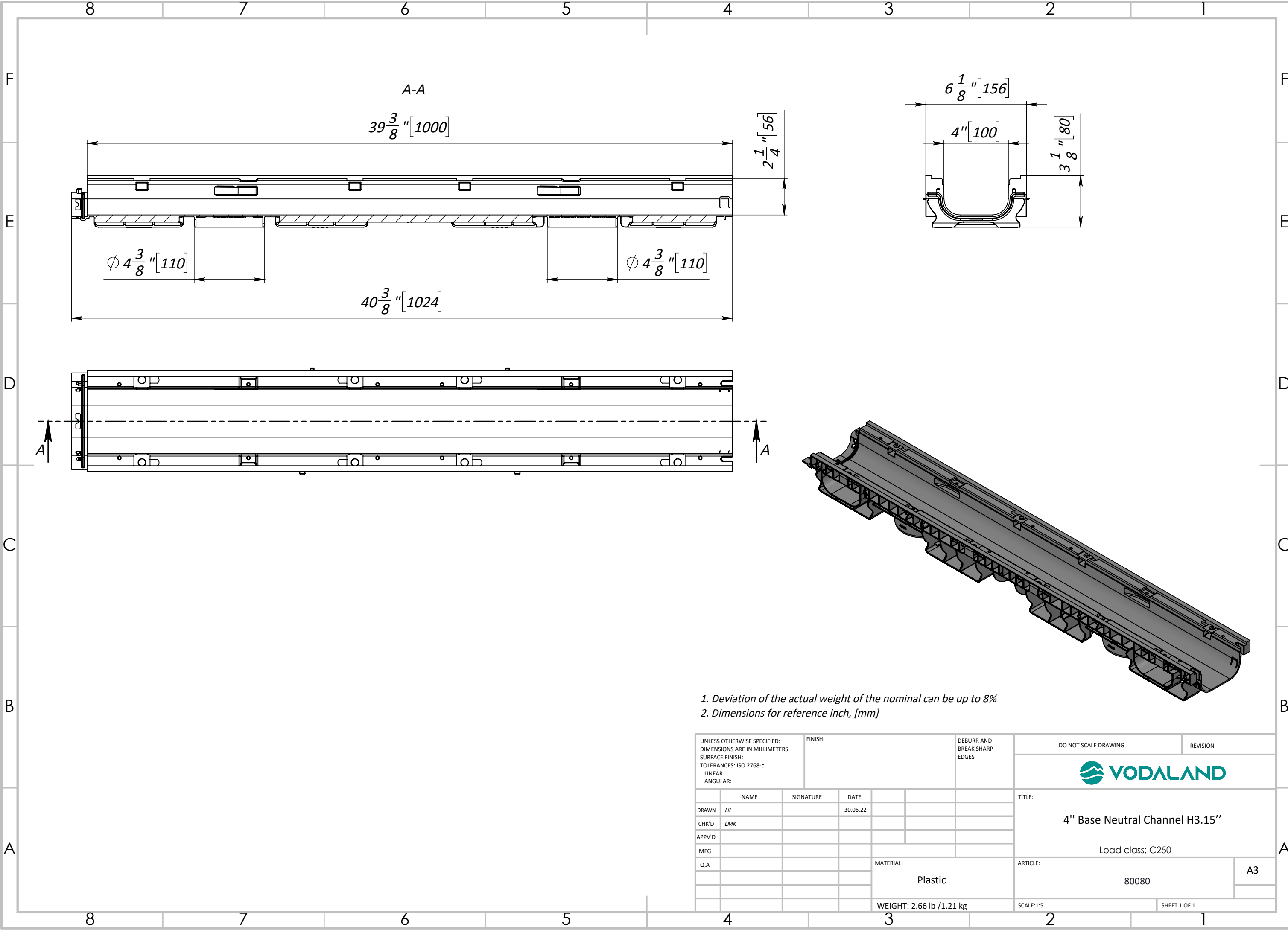


1. Deviation of the actual weight of the nominal can be up to 8%
2. Dimensions for reference inch, [mm]

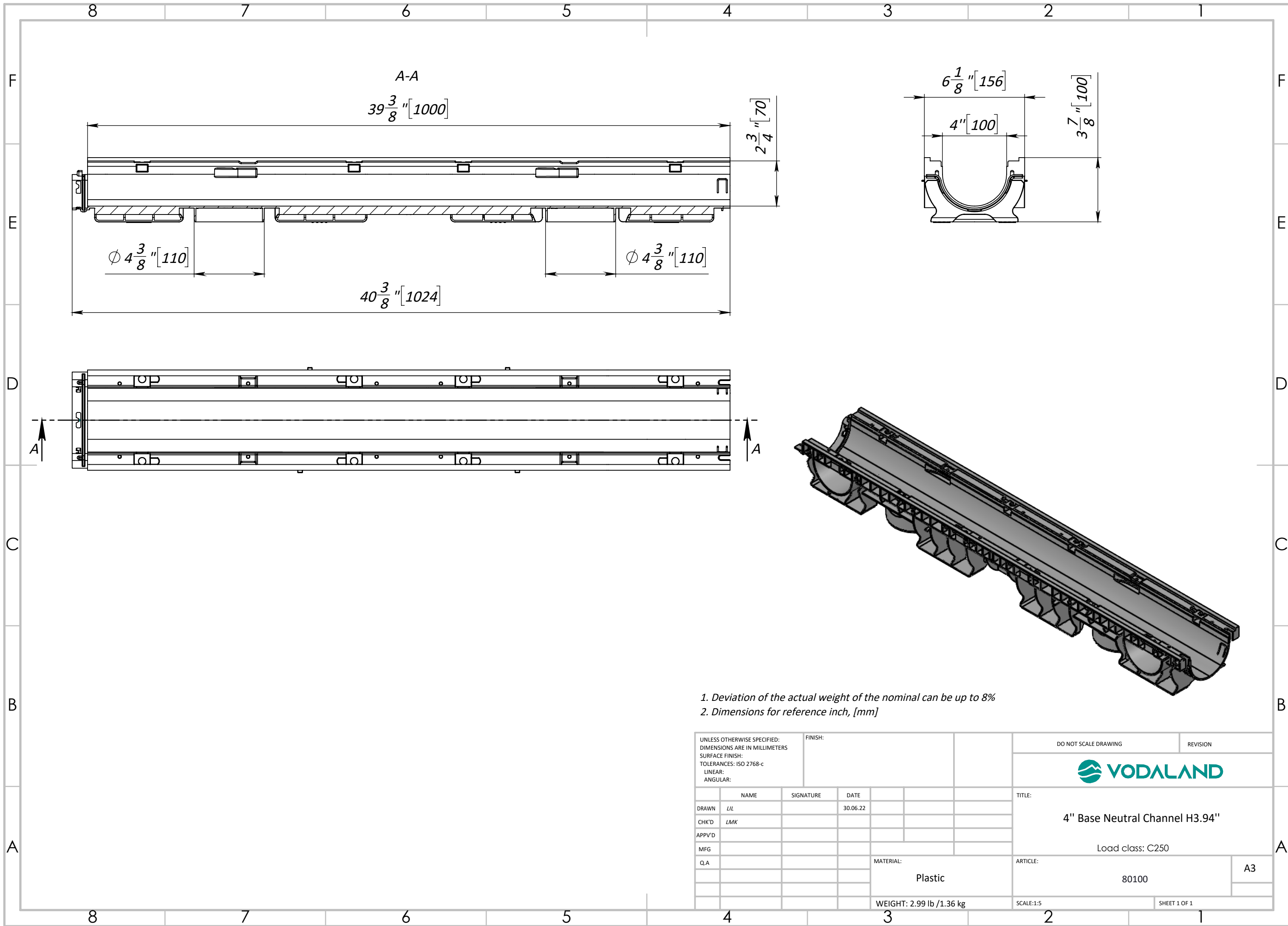
| | | | | | | | | | | | |
|--|--|--|--|---------|--|------------------------------------|--|---|--|--------------|--|
| UNLESS OTHERWISE SPECIFIED: DIMENSIONS ARE IN MILLIMETERS SURFACE FINISH: TOLERANCES: 2768-c LINEAR: ANGULAR: | | | | FINISH: | | DEBURR AND BREAK SHARP EDGES | | DO NOT SCALE DRAWING | | REVISION | |
| | | | | | | | | | | | |
| | | | | | | | | TITLE: 4" Base Neutral Channel H2.36" | | | |
| | | | | | | | | Load class: C250 | | | |
| | | | | | | MATERIAL: Plastic | | ARTICLE: 80060 | | A3 | |
| | | | | | | WEIGHT: 2.4 lb /1.09 kg | | SCALE:1:5 | | SHEET 1 OF 1 | |

| | NAME | SIGNATURE | DATE |
|--------|------|-----------|----------|
| DRAWN | LIL | | 04.07.22 |
| CHK'D | LMK | | |
| APPV'D | | | |
| MFG | | | |
| Q.A | | | |



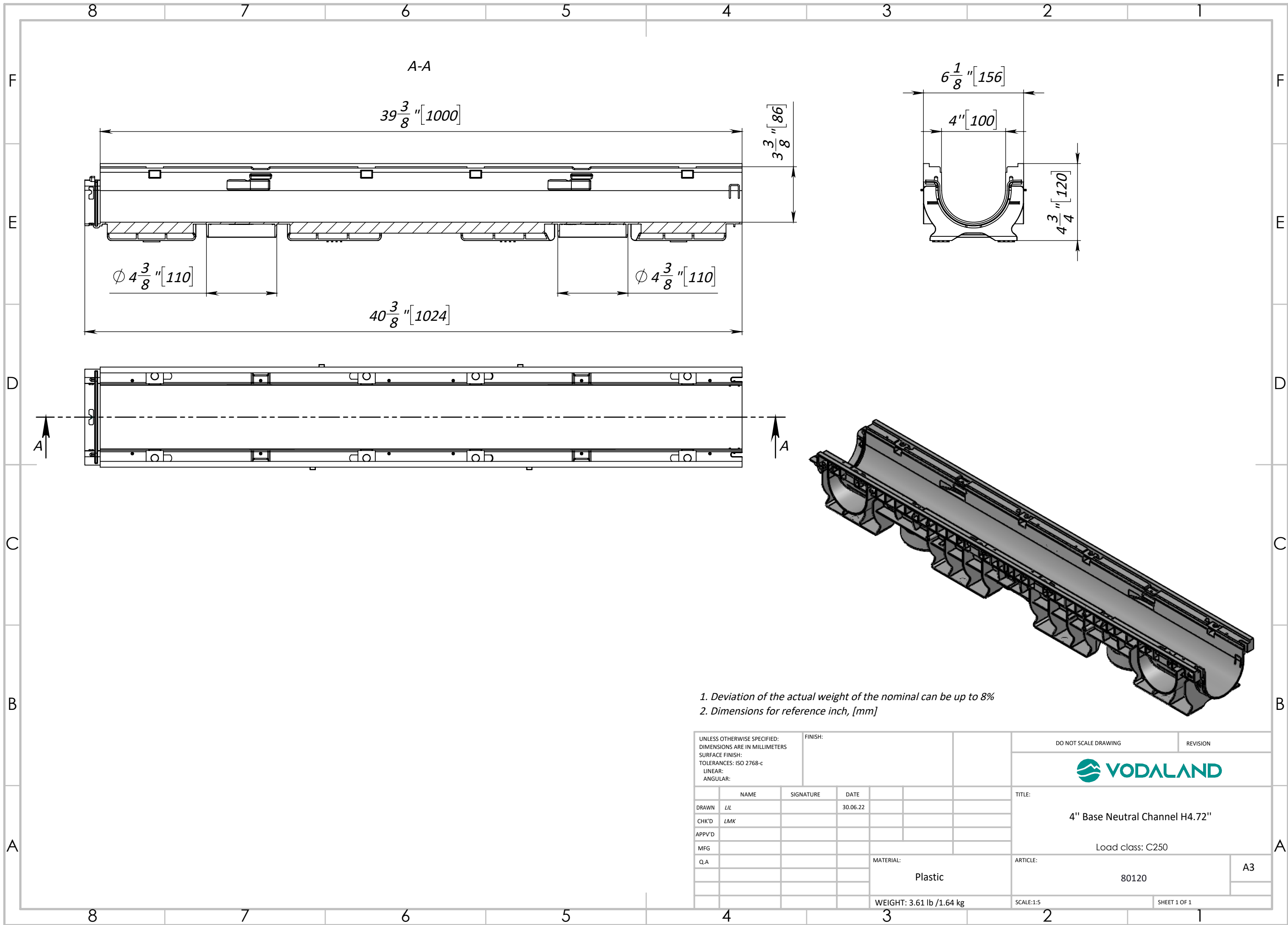
- 1. Deviation of the actual weight of the nominal can be up to 8%
- 2. Dimensions for reference inch, [mm]

| | | | | | | | | | | | |
|--|--|--|--|-----------|--|------------------------------------|--|---|--|----------|--|
| UNLESS OTHERWISE SPECIFIED: DIMENSIONS ARE IN MILLIMETERS SURFACE FINISH: TOLERANCES: ISO 2768-c LINEAR: ANGULAR: | | | | FINISH: | | DEBURR AND BREAK SHARP EDGES | | DO NOT SCALE DRAWING | | REVISION | |
| DRAWN <i>LIL</i> | | | | SIGNATURE | | DATE 30.06.22 | | TITLE: 4" Base Neutral Channel H3.15" | | | |
| CHK'D <i>LMK</i> | | | | | | | | Load class: C250 | | | |
| APPV'D | | | | | | | | ARTICLE: 80080 | | | |
| MFG | | | | | | | | A3 | | | |
| Q.A | | | | | | MATERIAL: Plastic | | SCALE:1:5 | | | |
| | | | | | | WEIGHT: 2.66 lb /1.21 kg | | SHEET 1 OF 1 | | | |



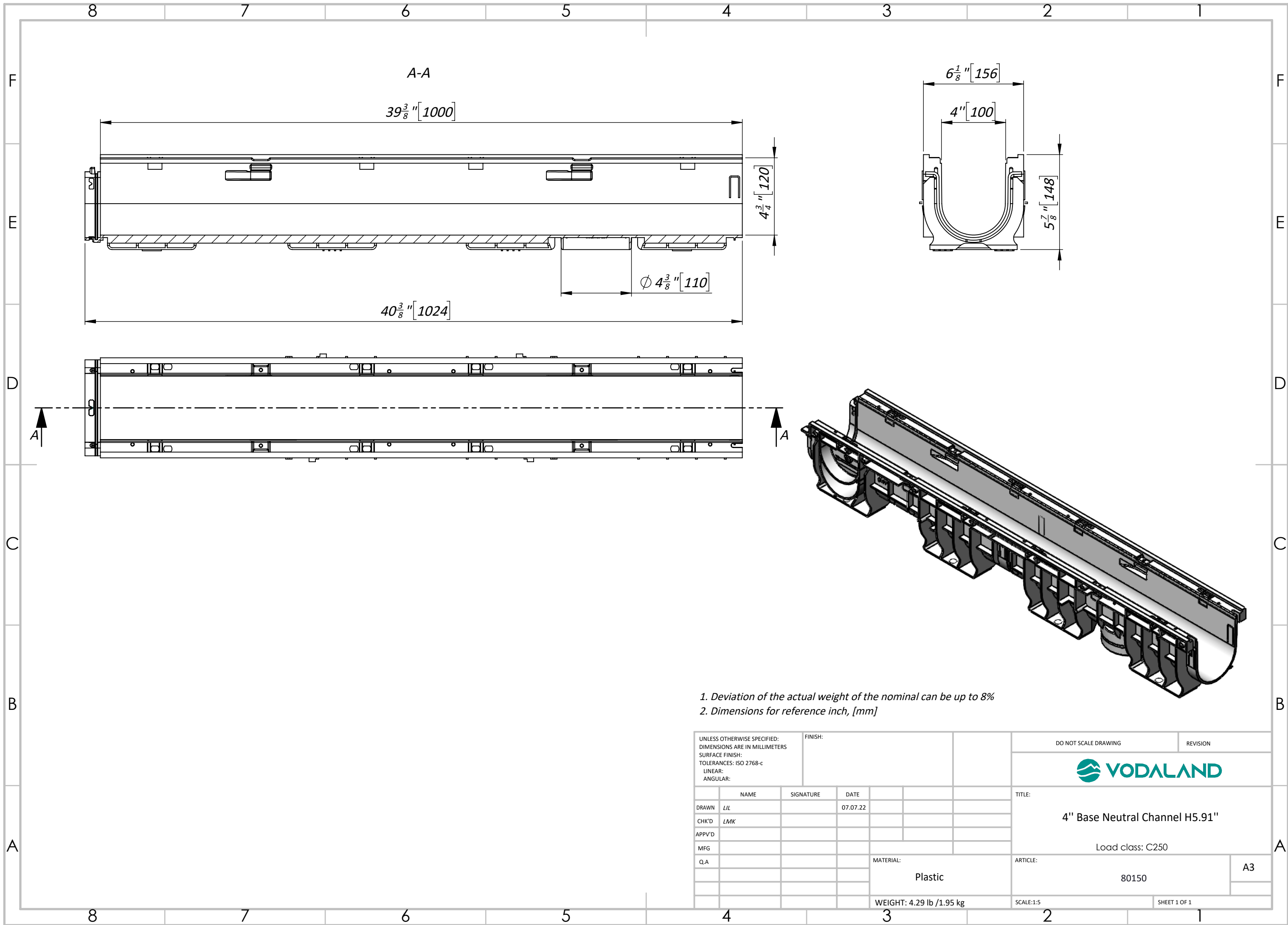
1. Deviation of the actual weight of the nominal can be up to 8%
2. Dimensions for reference inch, [mm]

| | | | | | | | | | |
|--|--|--|--|--------------------------|--|----------------------|--|--------------------------------|--|
| UNLESS OTHERWISE SPECIFIED: DIMENSIONS ARE IN MILLIMETERS SURFACE FINISH: TOLERANCES: ISO 2768-c LINEAR: ANGULAR: | | | | FINISH: | | DO NOT SCALE DRAWING | | REVISION | |
| DRAWN: <i>LIL</i> | | | | SIGNATURE: | | TITLE: | | 4" Base Neutral Channel H3.94" | |
| CHK'D: <i>LMK</i> | | | | DATE: 30.06.22 | | Load class: C250 | | ARTICLE: 80100 | |
| APPV'D: | | | | MATERIAL: Plastic | | ARTICLE: 80100 | | A3 | |
| MFG: | | | | WEIGHT: 2.99 lb /1.36 kg | | SCALE: 1:5 | | SHEET 1 OF 1 | |
| Q.A: | | | | | | | | | |



1. Deviation of the actual weight of the nominal can be up to 8%
2. Dimensions for reference inch, [mm]

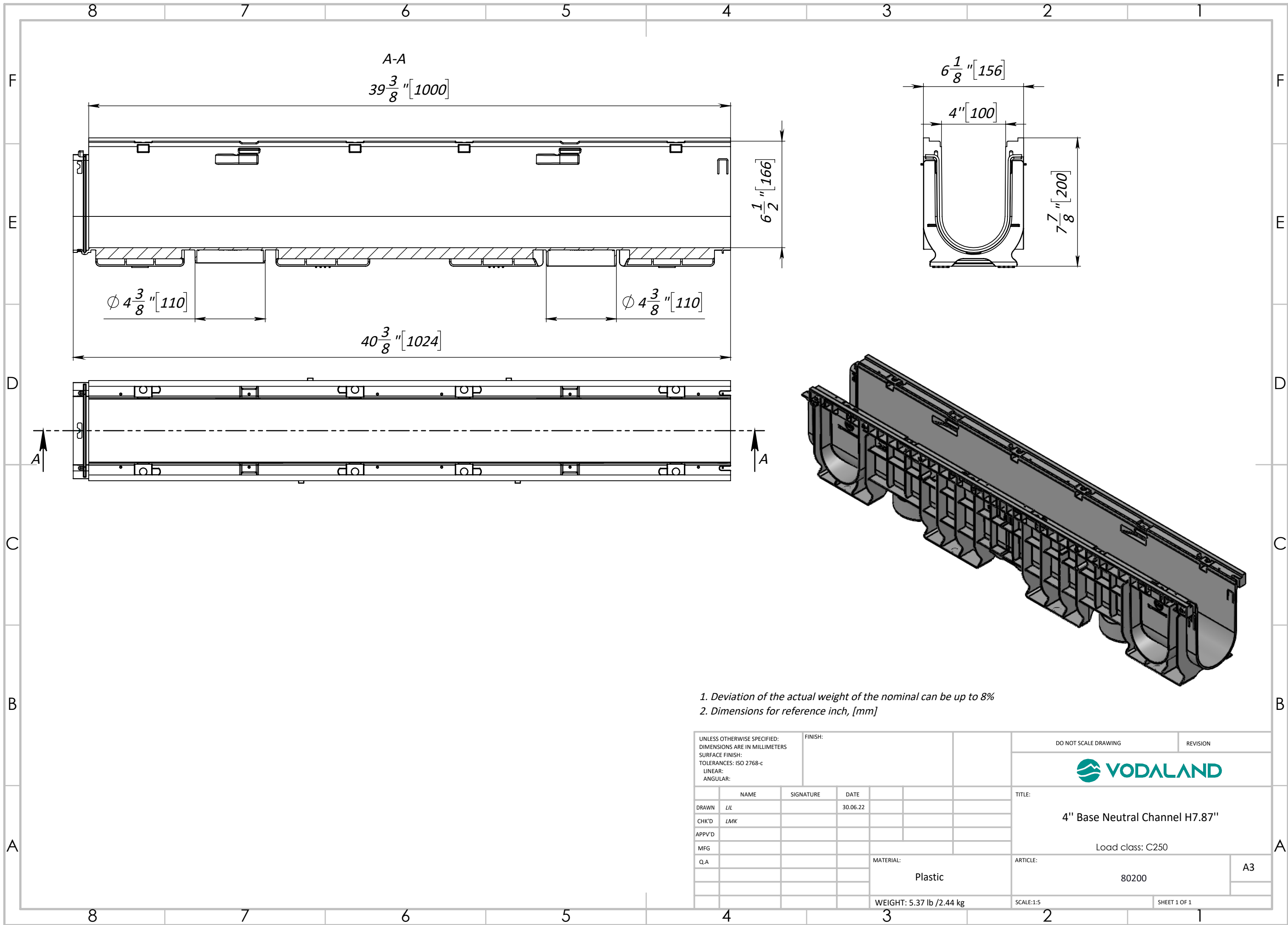
| | | | | | | | | | |
|--|--|--|--|--------------------------|--|----------------------|--|--------------------------------|--|
| UNLESS OTHERWISE SPECIFIED: DIMENSIONS ARE IN MILLIMETERS SURFACE FINISH: TOLERANCES: ISO 2768-c LINEAR: ANGULAR: | | | | FINISH: | | DO NOT SCALE DRAWING | | REVISION | |
| DRAWN: L/L | | | | SIGNATURE: | | DATE: 30.06.22 | | TITLE: | |
| CHK'D: LMK | | | | SIGNATURE: | | DATE: | | 4" Base Neutral Channel H4.72" | |
| APPV'D: | | | | SIGNATURE: | | DATE: | | Load class: C250 | |
| MFG: | | | | SIGNATURE: | | DATE: | | ARTICLE: 80120 | |
| Q.A: | | | | SIGNATURE: | | DATE: | | A3 | |
| | | | | MATERIAL: Plastic | | ARTICLE: 80120 | | A3 | |
| | | | | WEIGHT: 3.61 lb /1.64 kg | | SCALE: 1:5 | | SHEET 1 OF 1 | |



1. Deviation of the actual weight of the nominal can be up to 8%
2. Dimensions for reference inch, [mm]

| | | | | | | | | | |
|--|--|--|--|--------------------------|--|----------------------|--|---|--|
| UNLESS OTHERWISE SPECIFIED: DIMENSIONS ARE IN MILLIMETERS SURFACE FINISH: TOLERANCES: ISO 2768-c LINEAR: ANGULAR: | | | | FINISH: | | DO NOT SCALE DRAWING | | REVISION | |
| DRAWN L/J | | | | SIGNATURE | | DATE 07.07.22 | | TITLE: | |
| CHK'D L/MK | | | | | | | | 4" Base Neutral Channel H5.91" Load class: C250 ARTICLE: 80150 | |
| APPV'D | | | | | | | | | |
| MFG | | | | | | | | | |
| Q.A | | | | | | | | | |
| | | | | MATERIAL: | | Plastic | | ARTICLE: 80150 | |
| | | | | WEIGHT: 4.29 lb /1.95 kg | | SCALE:1:5 | | SHEET 1 OF 1 | |

A3



1. Deviation of the actual weight of the nominal can be up to 8%
2. Dimensions for reference inch, [mm]

| | | | | | | | | | |
|--|--|--|--|----------------------|--|----------------------|--|---|--|
| UNLESS OTHERWISE SPECIFIED: DIMENSIONS ARE IN MILLIMETERS SURFACE FINISH: TOLERANCES: ISO 2768-c LINEAR: ANGULAR: | | | | FINISH: | | DO NOT SCALE DRAWING | | REVISION | |
| DRAWN <i>L/L</i> | | | | SIGNATURE | | DATE 30.06.22 | | TITLE: 4" Base Neutral Channel H7.87" | |
| CHK'D <i>LMK</i> | | | | APPV'D | | MFG | | ARTICLE: 80200 | |
| Q.A | | | | MATERIAL: Plastic | | ARTICLE: 80200 | | A3 | |
| WEIGHT: 5.37 lb /2.44 kg | | | | SCALE:1:5 | | SHEET 1 OF 1 | | | |



Load class: C250