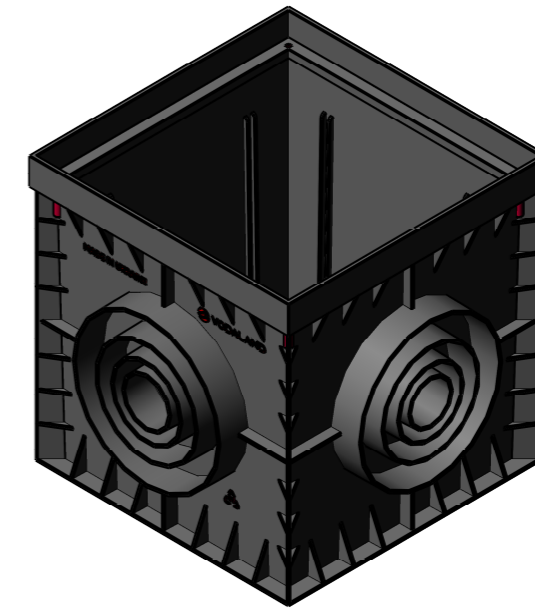
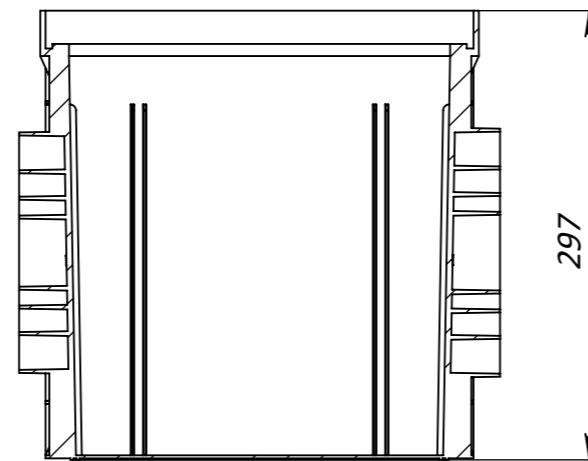


A-A



1. Deviation of the actual weight of the nominal can be up to 8%
2. * - inner dimensions of entrance outlets
3. ** - outer dimensions of exit outlets

UNLESS OTHERWISE SPECIFIED: DIMENSIONS ARE IN MILLIMETERS SURFACE FINISH: TOLERANCES: ISO 2768-c LINEAR: ANGULAR:				FINISH:		DO NOT SCALE DRAWING		REVISION	
						TITLE: Plastic catch basin Base 300x300 black			
						ARTICLE: 8370		A3	
				MATERIAL: Plastic		SCALE:1:5		SHEET 1 OF 1	
				WEIGHT: 1,35 kg					
DRAWN LYY		SIGNATURE		DATE 18.08.22					
CHK'D LMK									
APPV'D									
MFG									
Q.A									