

Smart Two Gang Breaker



WiFi



App remote
control



Easy
installation



Multiplayer
control



User Guide

- ① Star with “Okasha Smart” APP.



- ② Register an Okasha Smart

- ③ If you have Okasha Smart ,just log in.

- ④ Power up.

ON/OFF operating principle:

The connected appliances work/stop through live wire power on/off.

Network distribution

- ① power on and press the button switch
- ② Distribution network: switch on 6 times/ Press and hold the back button for 5-8 seconds to enter the distribution network
- ③ then the light flashes quickly (2 times/sec).
- ④ turn on the mobile phone Bluetooth.
- ⑤ Open and log in to the APP
prompting you to add products, adding to complete the network configuration.

Checklist before using device

- Your smart phone has connected to a 2.4Hz wifi with internet
- You have the correct WIFI Password
- Your smart phone must have access to APP store, Google play (Okasha Smart APP)

Parameter:

Model: Smart Two Gang Breaker

WiFi: IEEE 802 11 b/g/n

BLE version: Bluetooth 5.1

Input: AC90-250V,50/60Hz

Maximum load: 10A

Material: ABS V0

Size: 45 * 43 * 17mm

Electrict Datasheet:

RF Frequency: 2412Mhz-248Mhz

Antenna Type: PCB antenna

Antenna Gain: +1.0dbi

Wiring: 0.75-1 . 0mm2 H05VV-F

Ambient Life and Protection:

Ta(°C): -20~45°C

Tc max(°C): 80

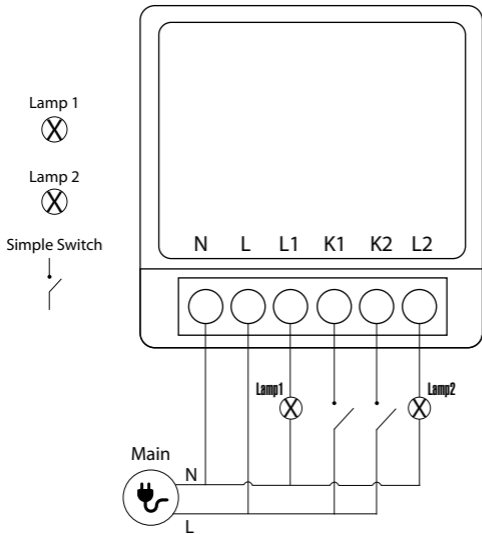
Life Time(h): 20000h

Protection: OTP

Surge Capacity: L,N 0.5V

Diag.1

2 gang 1 way control



Diag.2

2 gang 2 way control

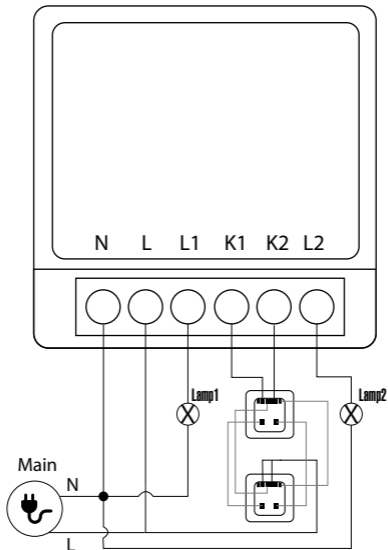
Lamp 1



Lamp 2



Simple Switch



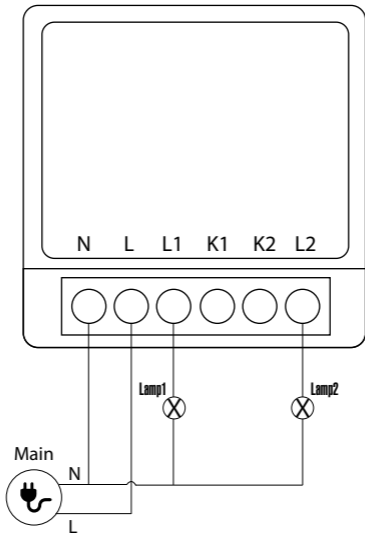
Diag.3

2 CH without switch

Lamp 1



Lamp 2



اگر آپ نے سمارٹ اور **Manual** سوئچ کے ذریعے لائسنس کنٹرول
کرنی ہیں تو آپ ڈائیکرام نمبر **1** کو دیکھیں۔

اگر آپ نے **2 way** اور **Okasha APP** کے ذریعے لائسنس کنٹرول
کرنی ہیں تو آپ ڈائیکرام نمبر **2** کو دیکھیں۔

اگر آپ نے صرف اور صرف **Okasha APP** کنٹرول کرنا چاہتے
ہیں تو ڈائیکرام نمبر **3** کو دیکھیں۔