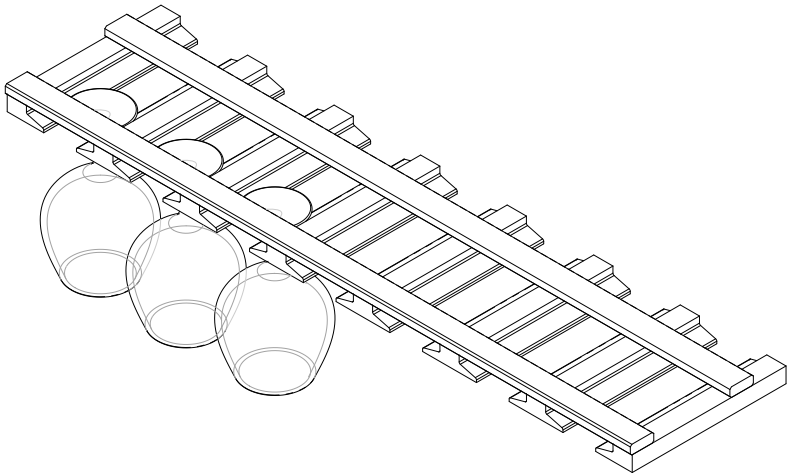




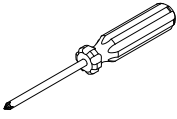
CALIFORNIA REDWOOD WINERACK

STEMWARE RACK

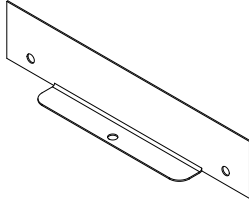


ASSEMBLY & INSTALLATION GUIDE

TOOLS AND HARDWARE



Philips Screwdriver

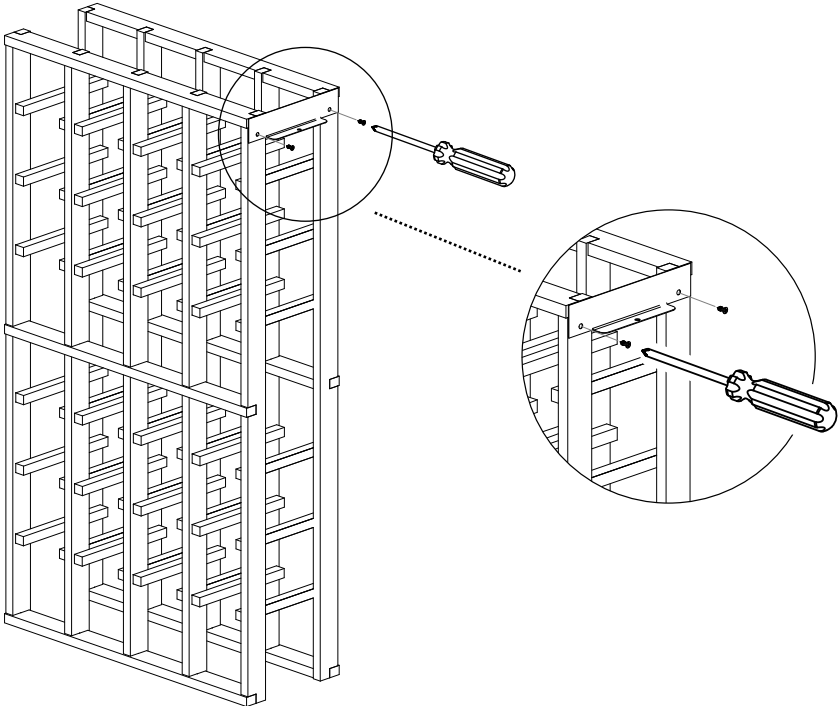


Bracket x 2

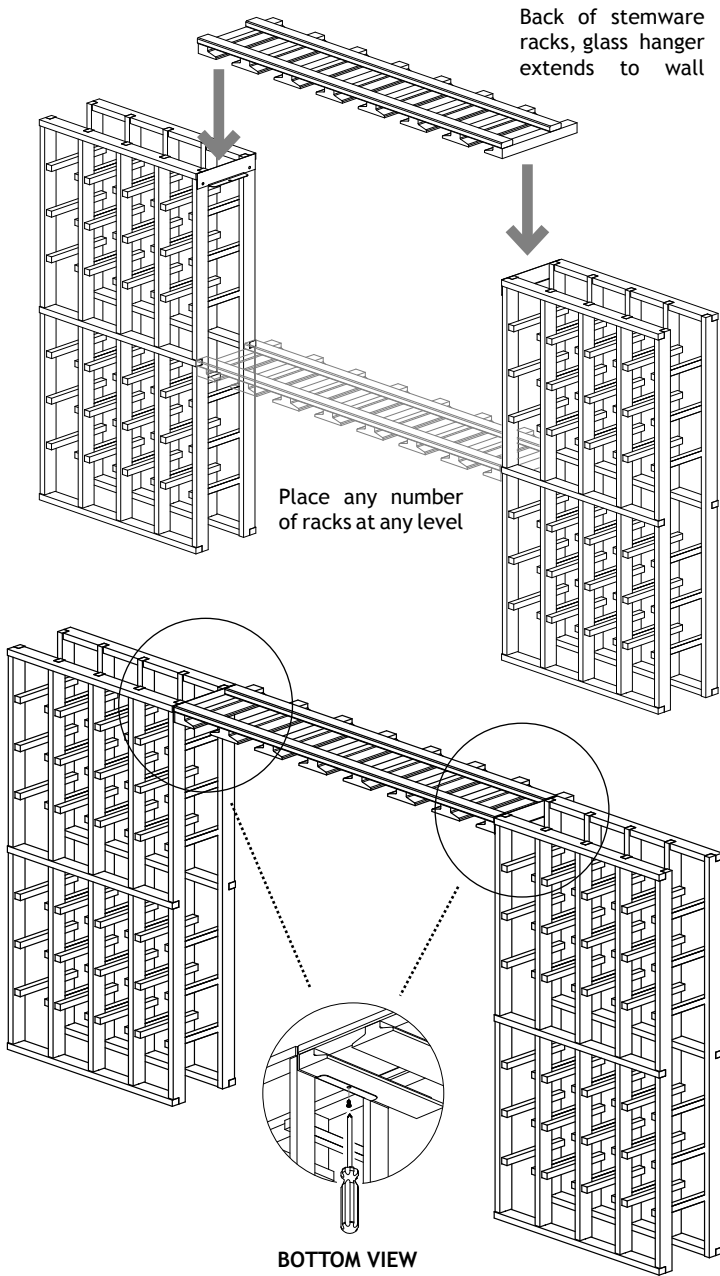


1/2" Screw x 6

STEP 1



STEP 2



TEST BEFORE USE

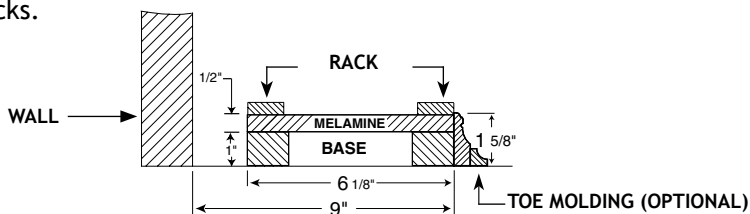
Use of WINERACK is strictly at your own risk. Drobot Inc. will not accept any responsibility or liability for damages resulting from units not assembled precisely as directed, or not securely fastened to a wall or support with suitable fasteners.

Before placing any bottles in your WINERACK, test it thoroughly to make sure all fasteners are secure.

* BASE AND TRIM KIT

Provides a solid base and professional finish for your WineRack project; The bases come in 3 different lengths 16", 32", 48" and two versions (convex and concave). You can order one directly from Vintage Keeper or from your dealer.

With base section in place, check for level and adjust with shims as required. When racks are in place, fasten the lower horizontal bars directly to Base with screws or nails. Nail moldings to face of base and racks.



LIMITED WARRANTY

Drobot Inc warrants this product to be free from defects due to workmanship or material, under normal use and service, for a period of one (1) year after the date of purchase. Please call our customer service department at 1-888-274-8813 or e-mail us at customerservice@vintagekeeper.com

This warranty does not cover normal cosmetic wear, cosmetic defects, damage resulting from improper assembly or maintenance, shipping damage, accident, or any misuse, abuse or use contrary to the written instructions. This product is not warranted for commercial use.

The warranties expressed above constitute the entire warranty of Drobot Inc with regard to its products and are in lieu of and exclusive of all other warranties, express or implied, including any of merchantability or fitness for a particular purpose. In no event shall Drobot Inc be liable or responsible for incidental or consequential damages, including spoilage or breakage of wine. It is your own responsibility to insure your wine, and to take all reasonable and necessary precautions to safeguard its condition.

© Drobot Inc, 2002