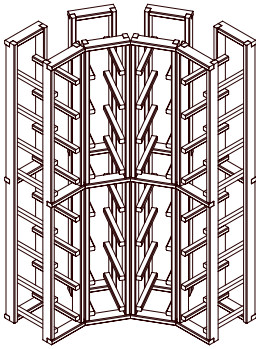


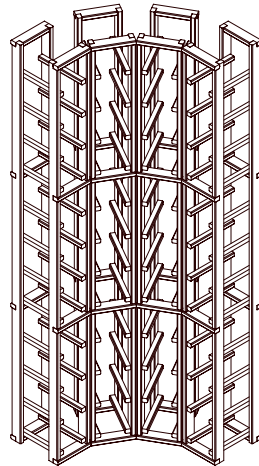


# CALIFORNIA REDWOOD WINERACK

## CURVED CORNER MODULES



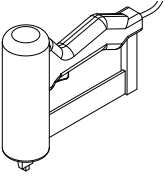
**CURVED CORNER F04 (A)**



**CURVED CORNER F04 (B)**

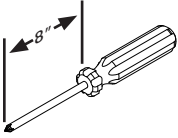
## ASSEMBLY & INSTALLATION GUIDE

# TOOLS

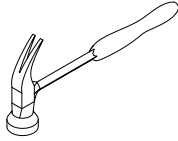


1"-1 1/8" Finishing Nailer

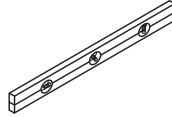
Highly recommended to prevent splitting of wood. This tool is also handy for projects around the home.



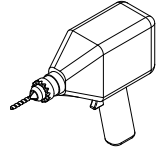
Philips Screwdriver



Hammer

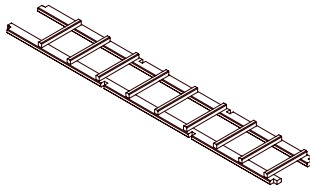


Level



Drill

# COMPONENTS

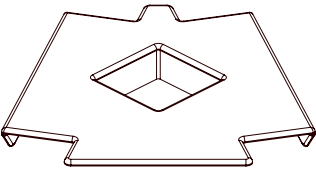


Vertical Column



Horizontal Bar

# HARDWARE



Bracket x 6



7/8" Screw x 8



Nails x 96

# GETTING STARTED

## IMPORTANT NOTE :

The Curved Corner 4, type B (F04B) is illustrated in the following instructions. Curved corner modules consist of four separate column sections which are bracketed together to form a quarter-circle.

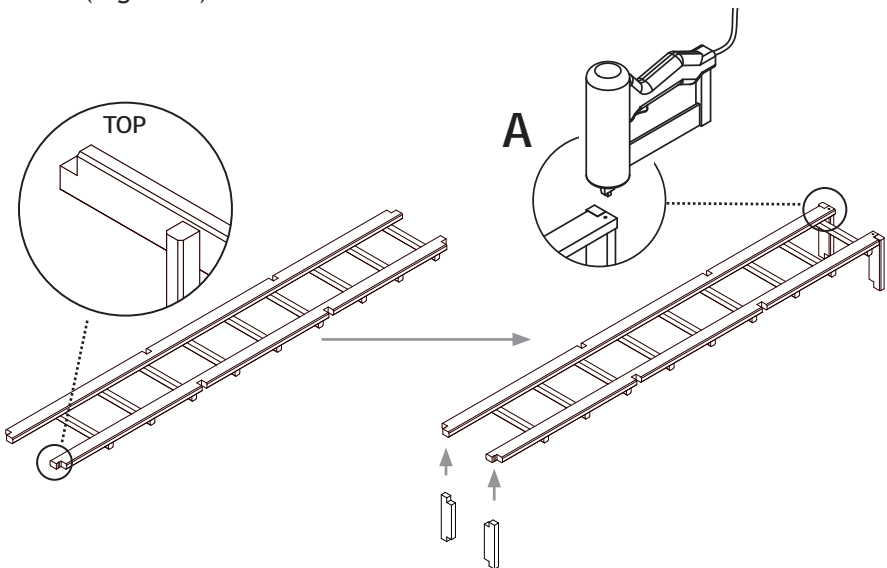
## STEP 1

### SORTING AND SETTING UP BARS :

Redwood has a variety of natural colours, ranging from red to white. If consistent colour is important to you, sort the bars before assembly.

Make sure all column **TOPS** are oriented in the same direction. For identifying the **TOP** ends refer to illustrated zoom view.

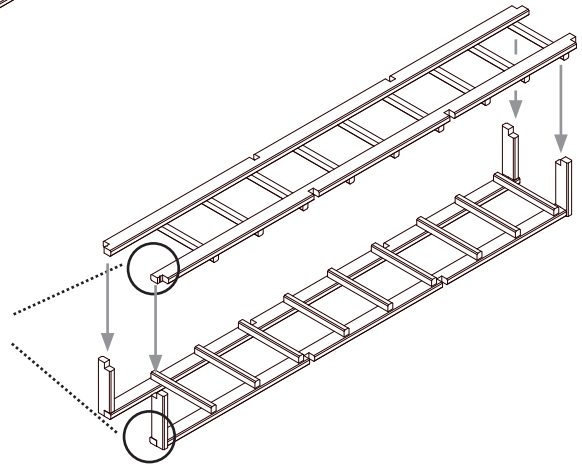
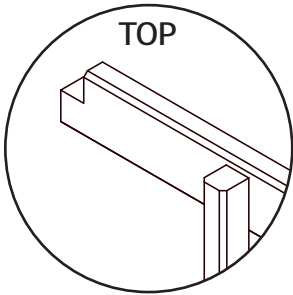
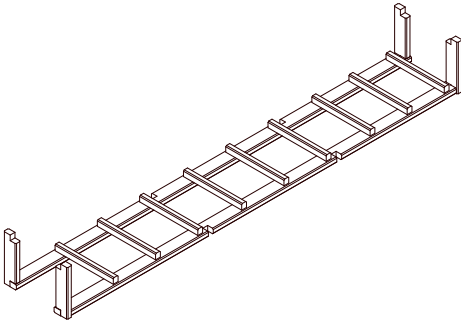
Hold bars firmly in place one at a time and nail through column into bar ends ( figure A ).



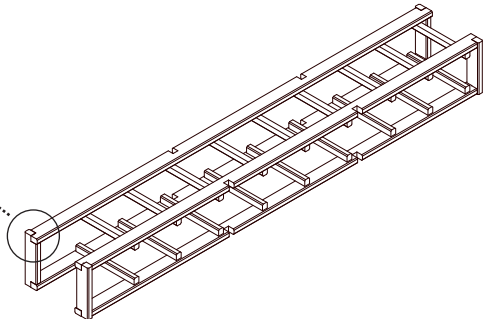
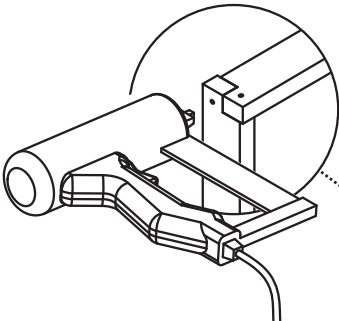
## STEP 2

### NAIL COLUMN TO BARS :

Flip column, make sure the column **TOPS** are orientated in the same direction. Bring the two columns together with bar ends interlocked to top column. Nail two nails at each corner ( figure A ).



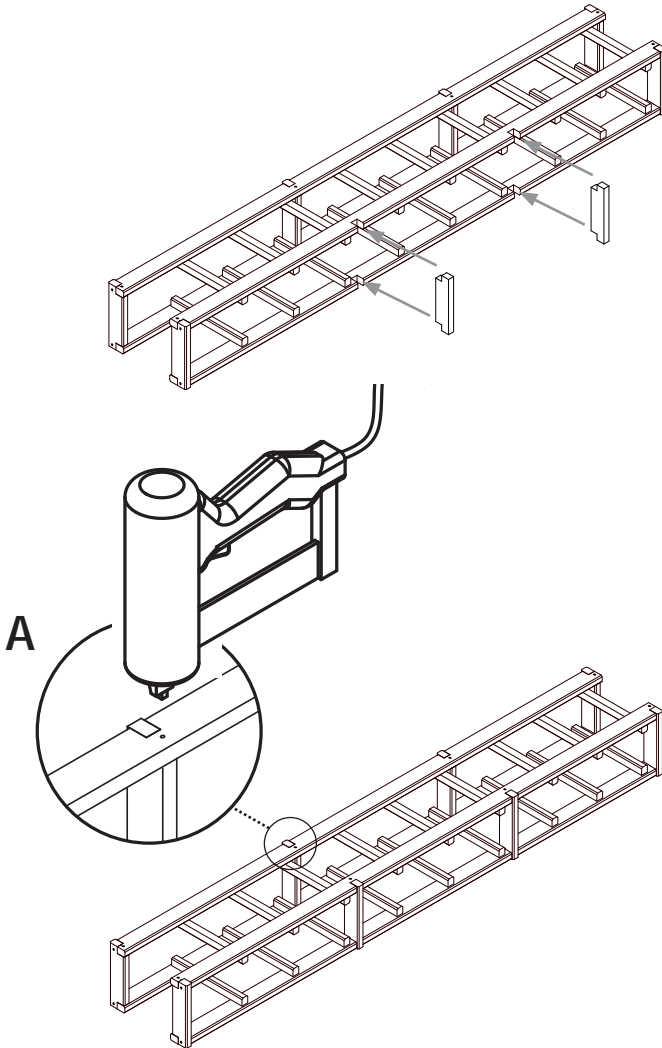
**A**



## STEP 3

### NAIL COLUMN TO ASSEMBLY :

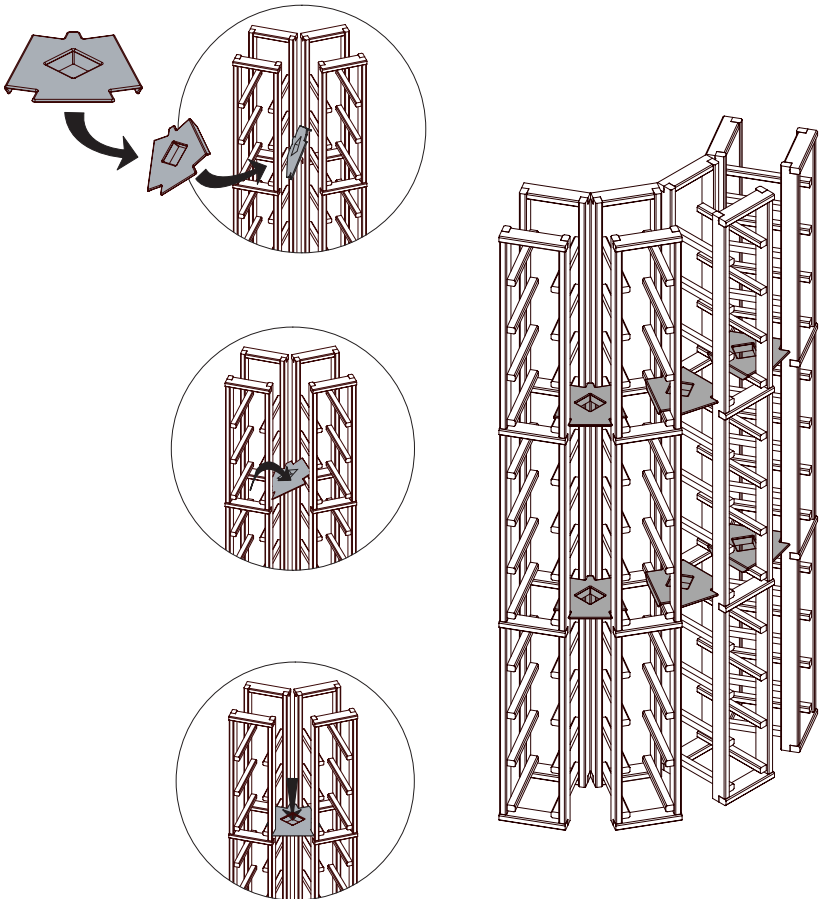
Interlock the remaining bars to the vertical column. Nail through column into bar ends ( figure A ).



## STEP 4

### JOIN SECTIONS TOGETHER WITH BRACKET :

Use Curved Corner brackets to join individual column sections together. Stand column sections end to end, with TOP column ends facing up. Insert brackets between sections, as shown, then push down over the horizontal bottle rests.



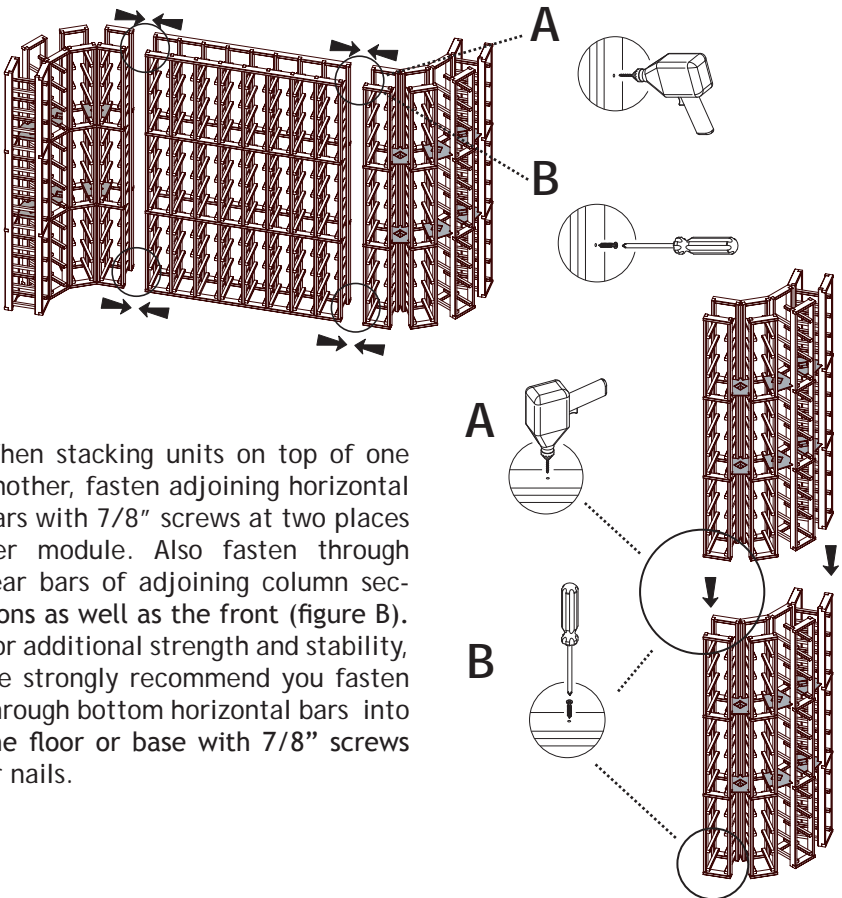
# STEP 5

## SCREW ALL ADJOINING WINERACKS TOGETHER :

**BEFORE ATTACHING TO WALL :** For a professional look, install a Base Trim Kit\* (shown on the last page) before mounting rack to wall.

To avoid cracking of wood, pre-drill 1/16" holes for screws ( figure A ).

Curved corner modules **MUST** be securely fastened to adjacent racks. Fasten through adjoining vertical bars with 7/8" screws. Also fasten through rear bars of adjoining column sections as well as the front ( figure B ).



When stacking units on top of one another, fasten adjoining horizontal bars with 7/8" screws at two places per module. Also fasten through rear bars of adjoining column sections as well as the front (figure B). For additional strength and stability, we strongly recommend you fasten through bottom horizontal bars into the floor or base with 7/8" screws or nails.

# TEST BEFORE USE

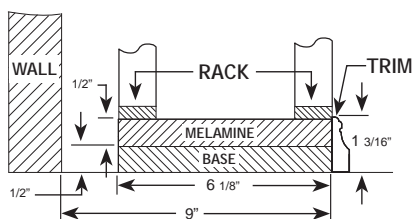
Use of WINERACK is strictly at your own risk. Drobot Inc. will not accept any responsibility or liability for damages resulting from units not assembled precisely as directed, or not securely fastened to a wall or support with suitable fasteners.

Before placing any bottles in your WINERACK, test it thoroughly to make sure all fasteners are secure.

## \* BASE AND TRIM KIT

Provides a solid base and professional finish for your WineRack project; The bases come in 3 different lengths 16", 32", 48" and two corner versions (convex and concave). You can order one directly from Vintage Keeper or from your dealer.

With base section in place, check for level and adjust with shims as required. When racks are in place, fasten the lower horizontal bars directly to Base with screws or nails. Nail moldings to face of base and racks.



### LIMITED WARRANTY

Drobot Inc warrants this product to be free from defects due to workmanship or material, under normal use and service, for a period of one (1) year after the date of purchase. Please call our customer service department at 1-888-274-8813 or e-mail us at [info@vintagekeeper.com](mailto:info@vintagekeeper.com)

This warranty does not cover normal cosmetic wear, cosmetic defects, damage resulting from improper assembly or maintenance, shipping damage, accident, or any misuse, abuse or use contrary to the written instructions. This product is not warranted for commercial use.

The warranties expressed above constitute the entire warranty of Drobot Inc with regard to its products and are in lieu of and exclusive of all other warranties, express or implied, including any of merchantability or fitness for a particular purpose. In no event shall Drobot Inc be liable or responsible for incidental or consequential damages, including spoilage or breakage of wine. It is your own responsibility to insure your wine, and to take all reasonable and necessary precautions to safeguard its condition.