



WINE CELL'R

Black Pearl

Instruction manual



Models:

WC18FGBK5 (1 zone)

WC32FGDZ5 (2 zones)

WC46FGDZ5 (2 zones)

WC94FGB5 (2 zones)

WC194FGB5 (1 zone)

PLEASE READ THIS MANUAL CAREFULLY BEFORE INSTALLATION AND USE.

Table of contents

<u>INFORMATION/SAFETY INSTRUCTIONS</u>	3 to 4
Before using your device.....	3
Important safety instructions.....	3
Pre-installation tips.....	4
<u>INSTALLATION</u>	5 to 10
Measurements and dimensions.....	5
Installing the handle.....	8
Reversing the door.....	8
Bottle layout and storage.....	10
<u>OPERATION</u>	10 to 16
Wine cabinet operation	10
• Display panel WC18FGBK5.....	10
• Display panel WC46FGDZ5.....	11
• Display panel WC32FGDZ5, WC94FGB5, WC194FGB5.....	12
• Ideal temperature for serving your wine.....	15
• Lock.....	15
• How to remove a telescopic shelf.....	16
<u>MAINTENANCE</u>	17 to 18
Cleaning the wine cabinet.....	17
Filter change.....	17
Power outage.....	17
Energy Saving Tips.....	18
<u>TROUBLESHOOTING</u>	18 to 20
<u>YOUR WINE CELL'R WARRANTY</u>	20 to 22
Limited Warranty.....	20
Terms & Exclusions.....	21
Contact us.....	22
Registration card.....	22
Model and serial number of the unit.....	22


INFORMATION/SAFETY INSTRUCTIONS

Before using your device

- Remove inner and outer packing material.
- Allow the appliance to stand upright for approximately 24 hours before plugging it in to avoid complications in the cooling system.
- Use a soft cloth with warm water to clean the inside and outside.

Important safety instructions

Before using the appliance, please position and install it properly according to the specifications in the manual. To avoid the risk of fire, electric shock or injury when using the unit, please read and follow the precautions suggested in this manual.

- Never clean any part of the unit with flammable liquids that may cause a fire or explosion hazard.
- Do not store gas or other flammable products near the appliance.
- Do not plug or unplug the appliance when your hands are wet.
- Unplug the appliance or disconnect the power supply before making a service call, servicing or cleaning the appliance. Failure to do so may result in electric shock or death.
- Do not attempt to replace or repair any parts on the appliance unless specified in the manual or refer servicing to a qualified technician.
- The front of the appliance must not be obstructed in any way to ensure adequate ventilation.
- This appliance is designed and intended for use by persons who are familiar with the operation of electrical appliances. All other persons (including children) must be supervised or instructed in advance by a person responsible for their safety.
- Children must be supervised not to play with the appliance.
- Do not use solvent-based or abrasive cleaners inside the appliance, as these may discolour the interior.
- Do not use this unit for any purpose other than recommended.
- The use of an extension cord is not recommended by the manufacturer and may be dangerous.
- When disposing of the appliance, be sure to remove the door and leave the shelves in place to prevent children from climbing inside. Make sure that the cooling and heating circuit at the bottom rear of the unit is not damaged. The symbol  on the product or on its packaging indicates that this appliance is not a product to be disposed of in the household waste, but rather should be taken to an appropriate recycling facility for electrical appliances.

Pre-installation tips

This appliance is designed for flush-mounted or freestanding installation

- The appliance is intended to be used exclusively for the storage of wine.
- Place your wine cabinet on a flat floor strong enough to support it when fully loaded.
- **It is important that the appliance is level** to operate properly (check with a level from left to right and front to back). You can adjust the feet of the appliance to level it.
- Make sure that there are enough people to move and install the appliance to prevent damage to the appliance or people. When moving the appliance, **do not tilt it more than 45 degrees**.
- The appliance must be installed away from heat sources such as heating system, radiator, oven. Direct sunlight can affect the acrylic coating and heat sources can increase the energy use of the wine cabinet. Cold and extreme ambient temperatures can also cause malfunctions of the appliance.
- Avoid placing the appliance in damp locations.
- Once in its location, **wait 24 hours before plugging in the appliance**.
- Make sure that the voltage/current indicated on the label matches your supply voltage. Plug the appliance into a 3-pin socket, do not remove the grounding rod. **Do not use an adapter and do not use an extension cord.**
- It is recommended to plug the wine cabinet into a power bar with surge protector.
- It is recommended to provide a separate circuit for your appliance.
- The fuse (or circuit breaker) size should be 15 A or greater.
- Any questions regarding the power supply and/or grounding should be directed to an electrician or an authorized service center.

INSTALLATION

Measurements and dimensions

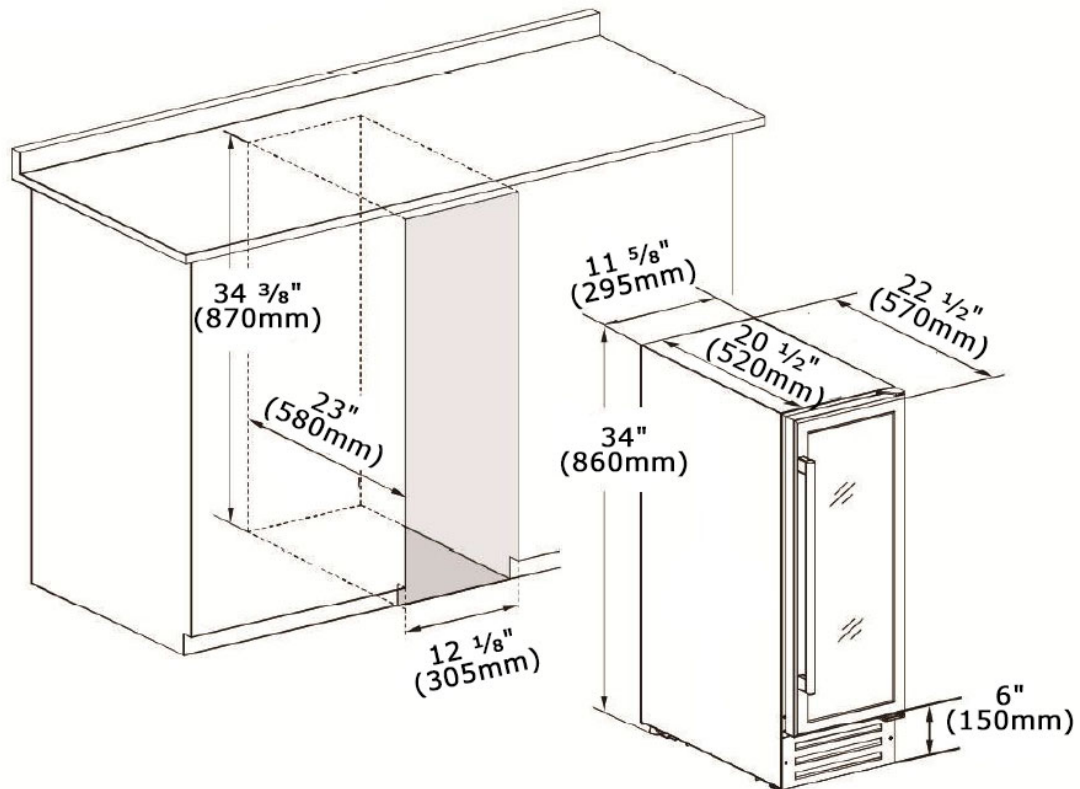
The cut-out dimensions shown below allow door clearance and access to the sliding shelves when the wine cabinet is installed as a flush-mounted appliance.

Your wine cabinet has been manufactured with a zero-clearance door, so no additional space is required to accommodate door swing when building your cabinets.

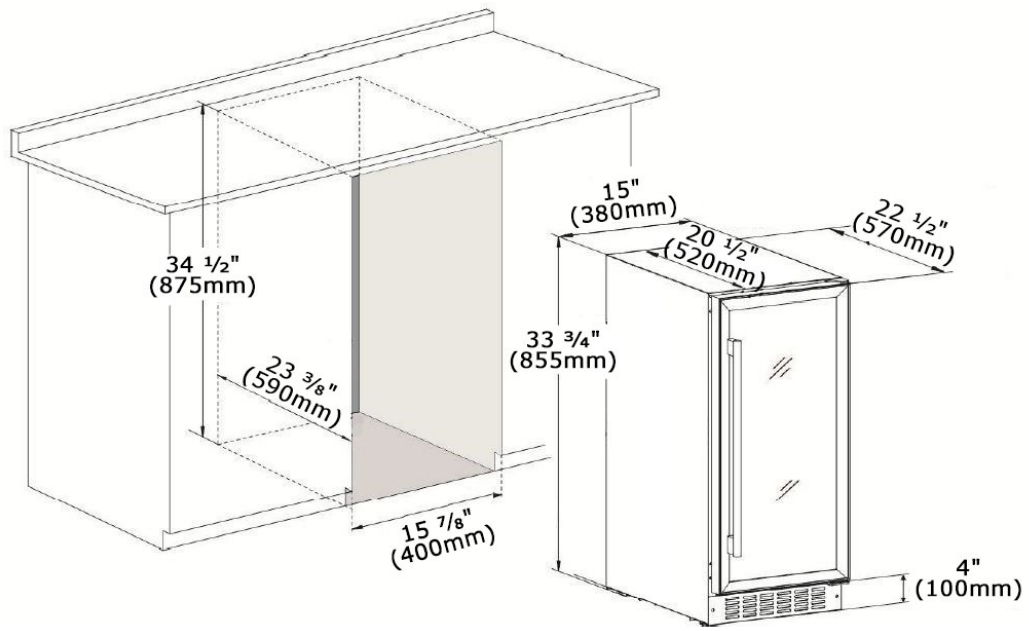
These cut-out dimensions indicate the minimum space required for your wine cabinet to function as intended.

Note that the plug on the socket requires 38 mm of clearance at the rear when plugged in and the handle is a maximum of 45 mm deep, depending on the model.

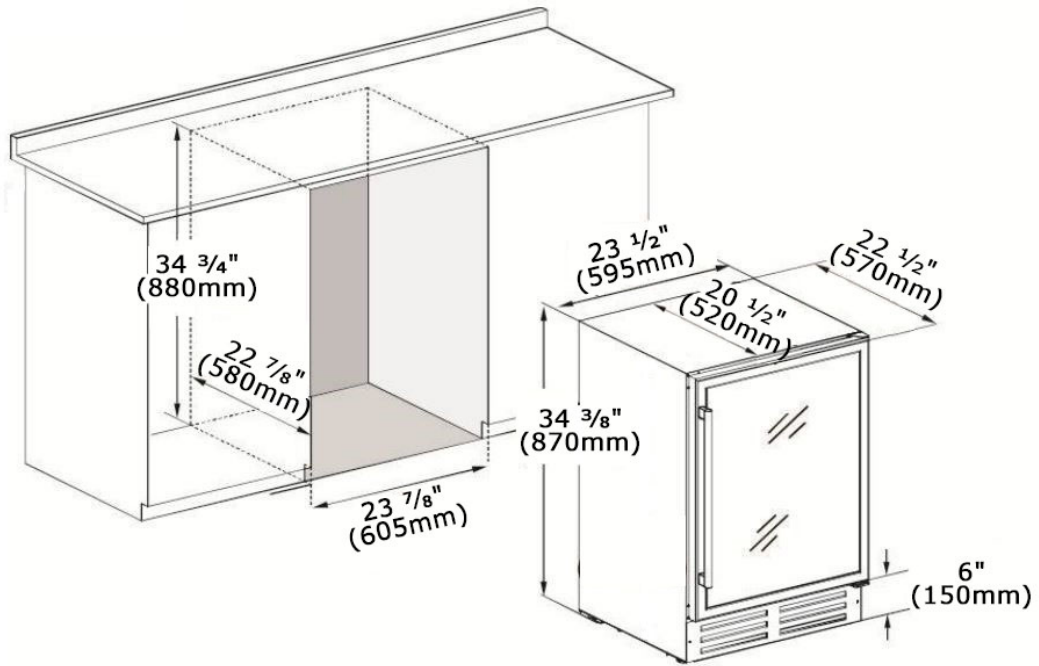
WC18FGBK5



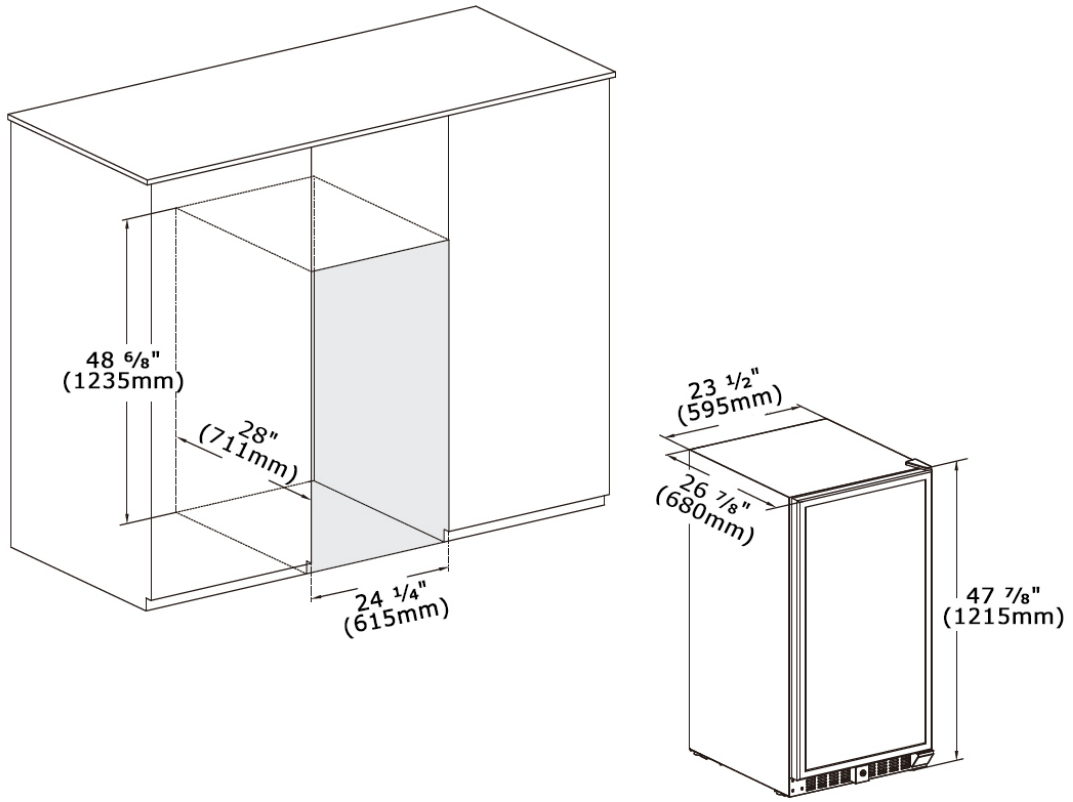
WC32FGDZ5



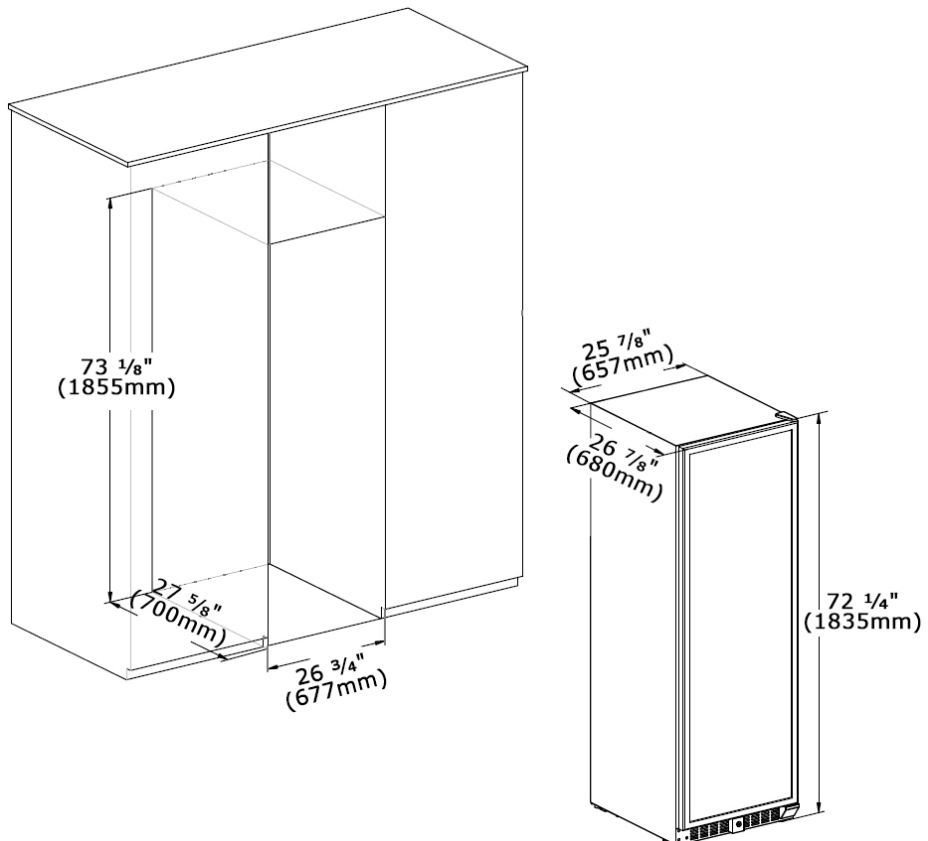
WC46FGDZ5



WC94FGB5

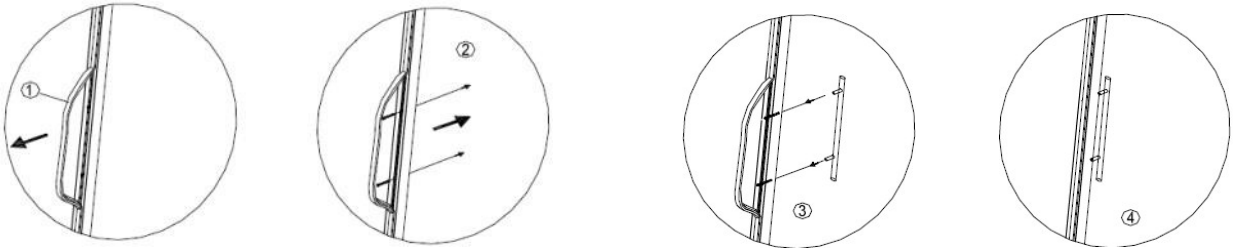


WC194FGB5



Installing the handle (WC18FGBK5 and WC46FGDZ5 only)

- 1.** Move the door seal behind the handle with your finger. In some models, plastic caps cover the screws; remove them to expose the screws.
- 2.** Insert the screws into the pre-drilled holes in the handle.
- 3.** Install the handle and tighten the screws.
- 4.** Replace the seal and the door caps.

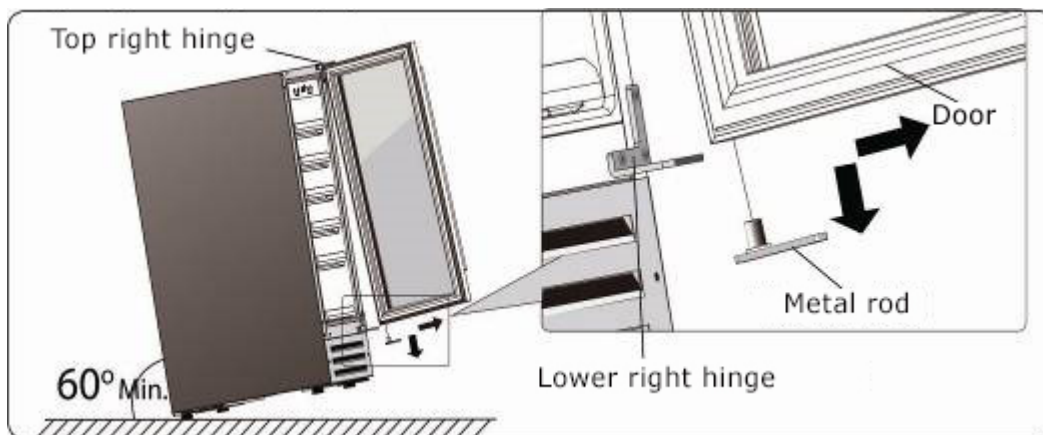


Reversing the door (WC18FGBK5 and WC46FGDZ5 only)

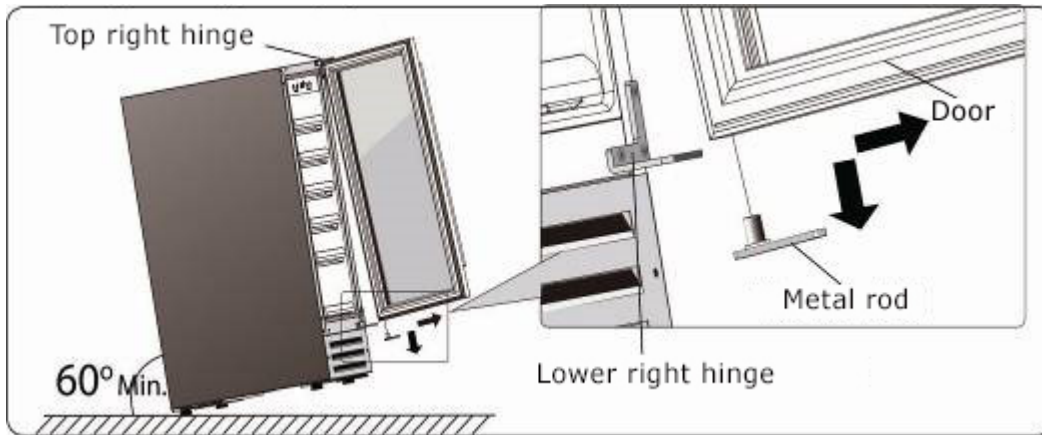
Before you start

Make sure the wine cabinet is level. Seal the shelves with tape to prevent movement during the process. The door of this appliance can be installed to open on the left or right side. To reverse the movement of your wine cabinet door and open it on the opposite side, please follow the instructions and diagram below.

- 1.** Open the door and unscrew the screws of the lower hinge.

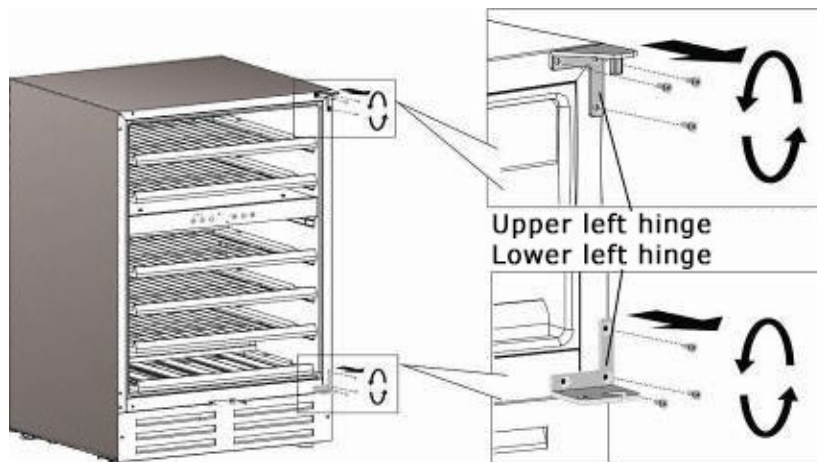


2. Remove the door from the top hinge, remove the metal pin and remove it.



3. Use a small flat head screwdriver to lift and remove the plastic cap on the upper center (locking hole) of the door and insert it into the lower center hole, rotate the door 180 degrees (counterclockwise) so that the top becomes the bottom.

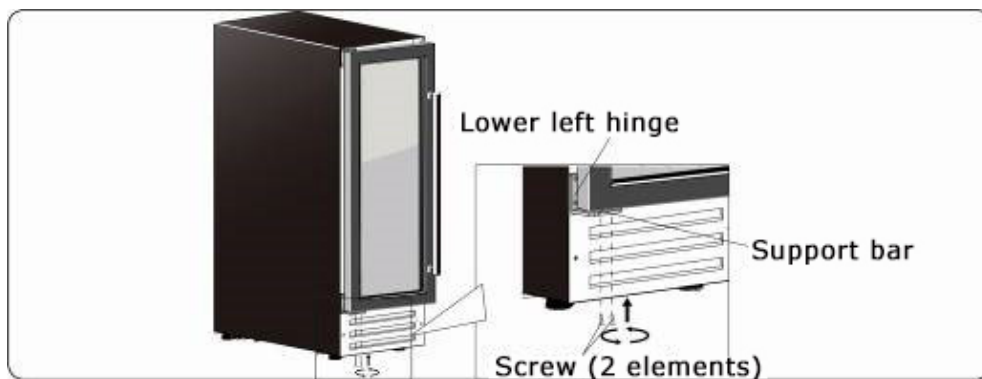
4. Unscrew the upper and lower hinge.



5. Dislodge the plastic caps on the left side of the cabinet and change them to the right side.

6. Install on the opposite side the left hinges included as accessories with the instruction manual.

7. Screw the metal pin under the door, then install the door by retracting it into the upper hinge and then into the lower hinge. Replace the screws of the support bar at the bottom to secure the door.



Bottle layout and storage

Your wine cabinet has been designed to safely store a maximum number of bottles. We recommend that you follow the tips below to optimize loading.

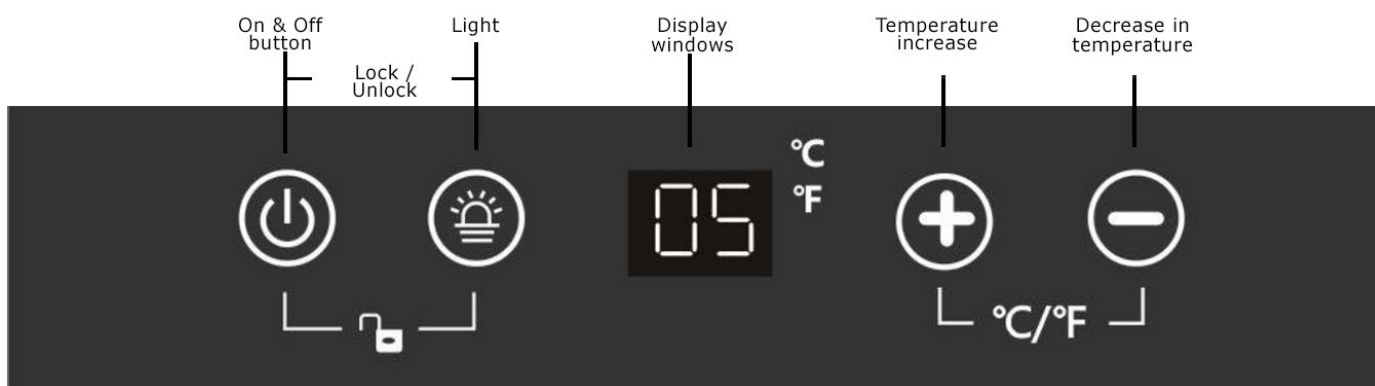
- Remove the tape from the shelves once the appliance is stable and ready for storage.
- Place the bottles evenly to avoid concentrating the weight in one place. Bottles should not touch the back of the wine cabinet. Your wine cabinet has been designed to store large bottles such as Pinot Noir and Champagne. These larger bottles reduce the number of bottles you can place on a shelf. Make sure that not all bottles are grouped together at the top or bottom of the wine cabinet for optimal cooling.
- Pull out only one telescopic shelf at a time. Never try to pull more than one telescopic shelf at a time.

OPERATION

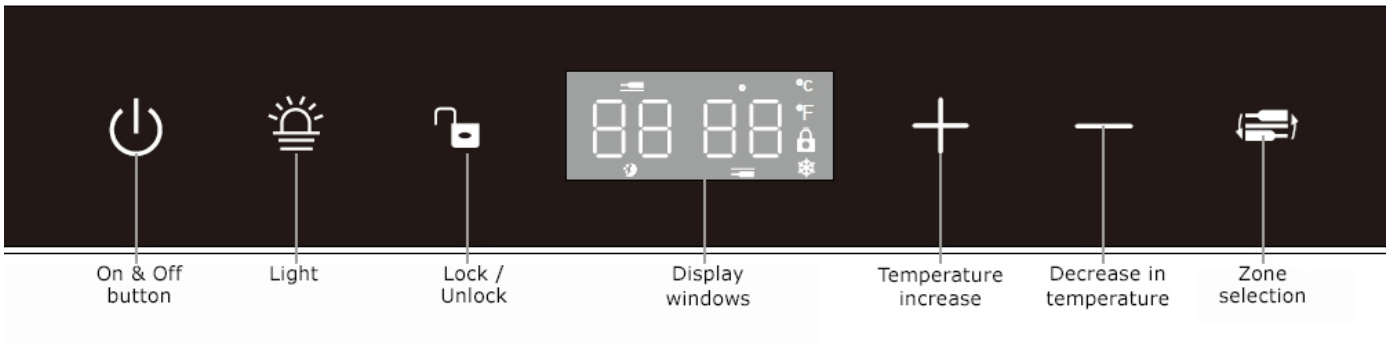
Wine cabinet operation

Your wine cabinet has a control panel with display on the front of the door. It includes several functions that allow you to control the temperatures of both the upper and lower zones of your wine cabinet.

Display panel model: WC18FGBK5



Display panel model: WC46FGDZ5



ON & OFF button

Switches the wine cabinet on or off.

Press and hold for 3 seconds.

Press lightly to activate standby mode.

Light

Switches the interior lighting on and off (3 options)

Control Panel (padlock)

WC18FGBK5: Press both left buttons simultaneously for 3 seconds to lock or unlock the control panel.

WC46FGDZ5: Press the padlock button for 3 seconds to unlock the control panel.

Display window

Displays set and actual temperature as well as operation icons.

Temperature increase (+)

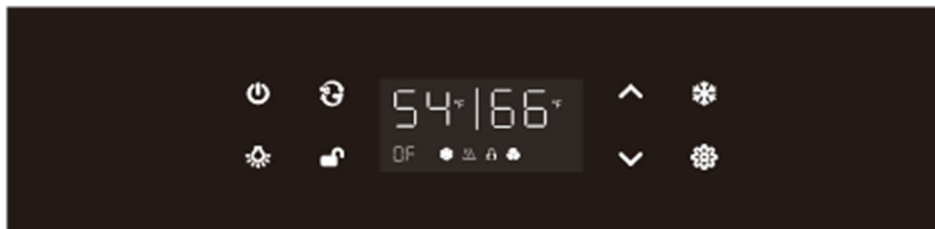
Increases the set temperature.

Decrease in temperature (-)

Reduces the set temperature.

Temperature in Celsius or Fahrenheit

By simultaneously pressing the + and - controls with the locked panel **changes the temperature display to Fahrenheit or Celsius.**



a) Control panel and temperature setting

⏻ POWER:

- Press this button to turn on the control panel; the lights will turn on.
- To turn off your wine cabinet during cleaning or an extended absence, simply press this button again and the wine cabinet will turn off.

After the appliance beeps, press and hold the power button for 10 seconds and your wine cabinet will turn itself off. Once the wine cabinet is turned off, please allow 5 minutes before turning it on again. This reduces excessive wear and tear on the compressor.

🔓 UNLOCK: Press this button for 3 seconds to unlock the control panel.

💡 LIGHT: Your wine cabinet is equipped with 3 lighting options: red, blue or a red and blue cycle where the colours change every 10 seconds. Press the light button once and the lights will run for a 10 second cycle, alternating between red and blue. Press again and the color will change to blue. Press again and the color will change to red. Finally, by pressing a fourth time, the lights will turn off.

°C/°F: Press to change the temperature display in Fahrenheit or Celsius.

⚙️ SELECTION: Press the select button to choose the zone (up or down if 2 zones).

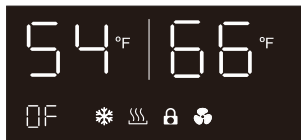
⬆️ TEMP. UP: Press this button to increase the temperature by 1 degree.

⬇️ TEMP. DOWN: Press this button to lower the temperature by 1 degree.

NOTICE:

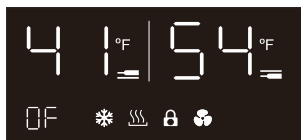
The control panel locks automatically after 15 seconds of inactivity. Be sure to unlock the control panel before adjustment. With the exception of the power button, all other buttons and lights will turn off after 15 seconds of inactivity.

(b) Temperature display (1 zone)



54°F Set temperature
66°F Actual temperature

(c) Temperature display (2 zones)



41°F Upper zone
54°F Lower zone

When the control panel is unlocked, the temperature display will show the preset temperature and when the control panel is locked, the actual temperature is displayed.

IMPORTANT:

For the appliance to operate at an optimal level, the upper zone should be 4 to 7 degrees Celsius colder than the lower zone.



TEMPERATURE RANGE SELECTION (for 1 zone model):

Press this button to change the temperature range by choosing between E, F, H or L and wait 3 seconds to confirm your choice.

The temperature of your wine cabinet is, by default, set to E, the ideal temperature for the storage of red wine.

Screen	Temperature range
E	41-72°F (5-22 °C)
F	36-68°F (2-20 °C)
H	50-66°F (10-19 °C)
L	32-68°F (0-20 °C)

NOTE: The L range allows you to go as low as the freezing point. If you choose this range and select 0°C as the temperature, your bottles may freeze and damage/degrade the contents.

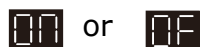


TEMPERATURE RANGE SELECTION (for 2 zone model):

Press this button to change the temperature range by choosing between E, F, H or L and wait 3 seconds to confirm your choice.

The temperature of your wine cabinet is, by default, set to E, the ideal temperature for the storage of red wine.

Screen	Temperature range upper zone	Temperature range lower zone
E	41-54°F (5-12°C)	54-72°F (12-22°C)
F	36-54°F (2-12°C)	54-68°F (12-20°C)
H	41-54°F (5-12°C)	46-66°F (8-19°C)
L	36-50°F (2-10°C)	54-72°F (12-22°C)



The display window can be set to the OFF position for a more discreet appearance. Your wine cabinet will continue to operate but the display screen will not be visible. You can check the temperature of your wine cabinet by pressing the power button.

To change the display window to ON or OFF, press the °C/°F button for 5 seconds while the control panel is locked. Once the ON/OFF button flashes, press °C/°F a second time to access the interface option. The ON light will display the data on the screen permanently and the OFF light will turn the screen off. Leave the control panel untouched for 5 seconds to confirm your option.

NOTICE:

Temperatures may vary if the interior lighting is on or depending on the position of the bottles.

Before you start:

The wine cabinet must be installed in a location where the ambient temperature is between 60-80 °F or 15-27 °C. If the ambient temperature is outside this recommendation, the performance of the wine cabinet may be affected. Installing your appliance in extremely cold or hot conditions may cause temperature fluctuations inside your wine cabinet.

NOTICE:

If the appliance is unplugged, breaks down or is disabled, you must wait 5 minutes before restarting it. Attempting to restart before this time may prevent the wine cabinet from starting.

When you use your wine cabinet for the first time or restart it after a power failure for a long period of time, there will be a difference of a few degrees for the first few hours of operation between the temperature you choose and the temperature shown on the display. After a few hours the temperature will normalize to the temperature shown on the display.

The control panel has a "sleep mode" function to hide the control buttons and display digits. If you gently/shortly press the "on/off " button, all the control buttons will turn off; then, if you gently touch one of the buttons, the whole panel will turn on again.

You also have the option of turning off the temperature digit display when the control panel goes into sleep mode while locked. Simply press and hold the LIGHT button for 3 seconds; the temperature digits will darken.

Ideal temperature for serving your wine

Although the optimal storage temperature is generally considered to be between 53-57°F or 12-14°C, different varieties of wine have different recommended tasting temperatures for optimal taste. The recommended temperature ranges for serving different grape varieties are listed below.

Red wines	59-65 °F
	15-18 °C
White wines	45-52 °F
	7-11 °C
Champagnes	40-45 °F
	4-7 °C

Note:

- If the appliance is unplugged, loses power or is turned off, you must wait 5 minutes before restarting it. The compressor will not restart before this delay and the wine cabinet will not be able to cool down before this 5 minute wait.
- When you use the wine cabinet for the first time or if you restart it after a long period of shutdown, there will be a variation of a few degrees between the temperature you select and the temperature indicated on the control panel for the first hours of operation. After a few hours of operation, the temperature will normalize to the selected temperature.

Lock

- This appliance comes with a key lock.
- The keys are located inside the plastic bag containing the user manual. To unlock the door, insert the key into the lock and turn counterclockwise.
- To lock the door, simply reverse the operation, making sure the metal pin is fully engaged. Then, remove the key and place it in a safe place for safekeeping.

Models with 94 bottles or more

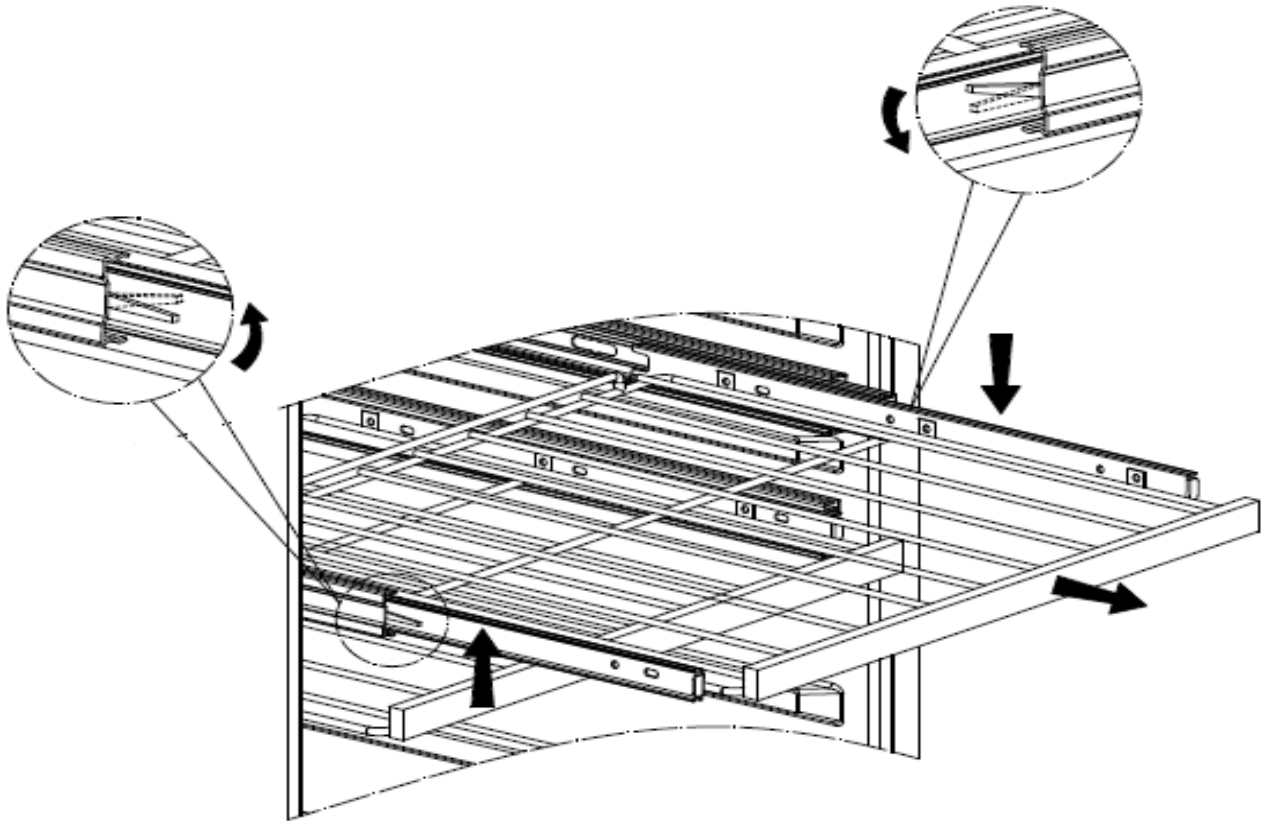


Models with less than 94 bottles



How to remove a telescopic shelf

1. Remove all bottles.
2. Pull the shelf out as far as it will go
3. Hold one of the telescopic shelves with one hand and with the other hand, gently lift the front of the shelf by the front tab, then push backwards to unlock the rear hook.
4. Repeat on the other side.



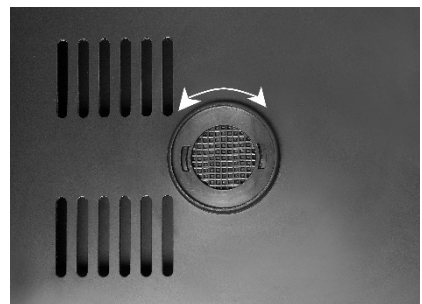
MAINTENANCE

Cleaning the wine cabinet

- Close the wine cabinet and unplug it. Remove the bottles and shelves inside.
- Clean interior surfaces with a sponge and baking soda.
 - The solution is 2 tablespoons mixed with 1 litre of warm water.
- Wash the shelves with mild soap.
- Remove excess water from the sponge or cloth before cleaning the control panel or electrical parts.
- Clean the outside of the cabinet with warm water, a cloth, and mild soap. For stainless steel grills and doors, use a cleaner specially designed for this type of surface.
- Vacuum the front grille and the back of the appliance twice a year.
 - Make sure the power is turned off before cleaning.
- It is recommended to clean the appliance thoroughly inside and out once a year to maximize the longevity of the wine cabinet and the finish of the various materials.

Filter change

The active carbon filter should be replaced once a year. It preserves the efficiency of your wine cabinet. To remove it, grasp the rim with your fingers and turn it to the left or right, pulling slightly until the holes in the panel and the plastic pins on the filter are aligned. To replace it, align and retract the plastic pins, then rotate to lock it in place.



Power outage

- Most power outages are resolved within a few hours. This should in no way affect the temperature of your wine cabinet, if you minimize the opening of the door. If the power outage persists for a long period of time, you must take the necessary measures to protect your bottles.
- If the appliance is unplugged, loses power or is turned off, you must wait 5 minutes before restarting it. The compressor will not restart before this delay and the wine cabinet will not be able to cool down before this 5 minute wait.

Energy Saving Tips

- The wine cabinet should be located in the coldest part of the room, away from heat-producing appliances and out of direct sunlight.
- Regularly check that the door is properly closed and that the door seal sticks to the wine cabinet.
- Fill the wine cabinet as much as possible (min. 50%); the more the contents, the more stable the temperature will be and the compressor will run less often.

TROUBLESHOOTING

Many common problems can be solved very easily. Follow the troubleshooting tips below if you encounter any problem:

No.	PROBLEM	CAUSES & SOLUTIONS
1	My cellar is not working.	<p>Check if it is plugged in.</p> <p>The cellar is not turned ON.</p> <p>The circuit is closed or a fuse is blown.</p> <p>It should be the only device plugged into the outlet. It is recommended to provide a 15 amp circuit dedicated exclusively to the cellar.</p>
2	My cellar is not cooling enough.	<p>Check the temperature parameters on the control.</p> <p>The outdoor environment requires cooler temperature settings on the control.</p> <p>The door is often open.</p> <p>The door is not completely closed.</p> <p>The door seal does not close well.</p>
3	The temperature of my cellar often varies from 3-4 degrees. Is this normal?	<p>This is normal: slight differences in temperature are necessary for the proper functioning of the cellar. When the cellar begins a defrost cycle, the temperature rises a little. When the refrigeration system turns on again, the temperature cools down.</p> <p>These changes are taking place over short periods and their influences are too small to affect the conservation of the wine. The liquid tends to maintain an average temperature.</p>
4	My cellar does not maintain its temperature and the compressor often starts.	<p>Is your cellar filled to at least 50% of its capacity? Has your cellar been running for more than 48 hours?</p> <p>Your cellar is installed near a heat source (heater, door, window, stove, etc.).</p> <p>The door is not completely closed.</p> <p>The door seal does not close well.</p>

No.	PROBLEM	CAUSES & SOLUTIONS
5	My cellar automatically closes ON / OFF frequently.	The room temperature is warmer than normal.
		A lot of content has been added to the cellar.
		The door is opened too often.
		The temperature is not well adjusted.
6	The light does not work.	Is your cellar plugged in?
		The circuit is closed or a fuse is blown.
		The light is closed, use the control panel to turn it on (see Operations section).
7	Too much vibration.	Check if the unit is level.
		Make sure that no part inside your cellar (shelf / rail) or in the back, near the compressor, is not loose (pipes that rub on metal, broken fastener, etc.).
8	My cellar seems to be making too much noise.	Noise can come from the coolant, which is normal.
		At the end of each cycle, you can hear a gurgling sound caused by the coolant.
		The expansion and contraction of the interior walls can cause creaking noises.
		The unit is not level.
		The installation measures were not respected, leaving too much space between the cellar and the cabinets and amplifying the noise of the compressor and the fan at the back.
The ceiling height and the size of the room (open area) may also increase the sound (echo effect).		
9	The door does not close properly.	The unit is not level.
		The door was reversed and installed incorrectly.
		The door is open but the lock is locked.
		The gasket is dirty.
		Shelves are improperly installed on the rails or bottles that are too large or improperly placed prevent a shelf from closing.
10	The door of my cellar is not equal to the box.	Adjust the leveling feet at the front until the door is equal to the cellar.
		The hinge screws are not tight enough; replace the door equal to the box and tighten the screws.
11	A shelf in my cellar is not level.	Make sure that the shelf is properly secured on its rails.

No.	PROBLEM	CAUSES & SOLUTIONS
12	There is water on the floor of my cellar.	Check that the drain is in the evaporation tray at the back of the cellar. If so, during very humid periods, you may need to soak up the excess water in the pan. Make sure the cellar is leveled from front to back and left to right.
13	Water collects inside my cellar.	This is a phenomenon observed especially in summer due to humidity. Check that the door seal is watertight. During very humid weather, it is recommended to sponge off the excess water that forms inside your cellar and if necessary in the back pan near the compressor.
14	There is frost on back wall of my cellar.	This is a very normal phenomenon when water vapours freeze. However, when the cooling cycle ends, the ice melts and runs down the drain. These drops normally evaporate.
15	There is steam / humidity between the thermal windows of my cellar.	During very wet periods, mainly in summer, this can happen.
16	The digital display shows HH or LL and a continuous beep is heard.	The temperature sensor is non-functional and must be replaced.

YOUR WINE CELL'R WARRANTY

The appliance must have been used under the normal conditions recommended by the manufacturer. **Proof of the date of original purchase** is required to obtain warranty service, as well as the **serial number of the appliance** (white sticker inside, bottom right; e.g.: 2020010123, see p.22). All warranty repairs are carried out by our authorized repair center, taking into account the conditions and exclusions described below. Warranty applicable in Canada only.

2-year limited warranty on parts and labour

Wine Cell'R will provide, at its discretion, all parts that prove to be defective due to a defect in material or workmanship and will also provide, free of charge, labour and repair services to replace said defective parts, and this, 2 years from the date of purchase.

3-year limited compressor warranty

During the first 2 years of the warranty (from the date of purchase), Wine Cell'R will replace the defective compressor free of charge for parts and labour, as long as the appliance has been installed and used according to the instructions supplied with the appliance.

During the third year of the warranty, Wine Cell'R will only replace the compressor. The costs of labor, transportation or other costs will be at the expense of the purchaser. In the event that the appliance must be returned to the shop, the cost of the transfer and return home will be at the expense of the purchaser.

An extended warranty may be available for an additional cost at the time of purchase. Please check with your dealer for details.

During the limited warranty period, Wine Cell'R will repair or replace, at its discretion, any appliance that does not operate according to the manufacturer's specifications. Wine Cell'R reserves the right to substitute substantially similar materials in the event that materials are not available at the time warranty service is performed.

Terms & Exclusions

Plastic parts are guaranteed for thirty (30) days only from the date of purchase, with no extensions.

What Wine Cell'R does not cover

- Visit of a technician at home to explain how the wine cabinet works.
- Improper installation (e.g., flush-mounting of a freestanding appliance or outdoor use of an appliance not designed for this purpose).
- Any loss of contents.
- Replacing the fuse or resetting the circuit breakers on your home's distribution panel.
- Any damage to the appliance due to accident, fire, flood, robbery, lightning, a case of force majeure or lack of maintenance.
- Diagnostics of the type no problem found.
- A perforated evaporator voids the warranty on the entire sealing system.
- Repairs made by technicians not authorized by Wine Cell'R.
- Any damage incurred during transport or movement of the appliance.
- Expenses related to the removal or reinstallation of the product that is not accessible to the technician.
- Visit from a technician to change the side of the door, level or install the appliance.
- Any direct or indirect damage to your personal property caused by a possible defect in the appliance.
- Incorrect power supply (low voltage, faulty wiring, incorrect fuses, use of an extension cord).
- Inadequate air circulation in the room or abnormal operating conditions (extremely high or low temperatures).

The purchaser must understand and accept that the product purchased is a wine cabinet designed to store wine. The purchaser assumes all responsibility for his wine while using this appliance, including the risk of deterioration, humidity and temperature variations, leaks, mould and dryness.

Contact us

Thank you for purchasing a Wine Cell'R quality appliance. We advise you to activate your warranty now. Simply fill out the attached registration form and return it to us by mail or by email at service@eurocelcanada.com or by fax at 450 688-2324.

WARRANTY REGISTRATION CARD
CARTE D'ENREGISTREMENT DE GARANTIE

WINE CELL'R

First Name / Prénom: _____ Last Name / Nom: _____

Address / Adresse: _____ City / Ville: _____ Prov.: _____ Postal Code / Code Postal: _____

Tel / Tél.: _____ Email / Courriel: _____

Purchase Date / Date d'achat: _____ Purchased From / Acheté par: _____

Sérial Number / Numéro de série: _____

Model Number / Numéro de modèle: _____

Send to / Expédier à :
DISTRIBUTION **Exclusive Distributor**
EuroCel **Distributeur Exclusif**
CANADA INC **Wine Cell'R Canada**

3208 Desserte Sud A440 Ouest.
Laval (Québec) H7T 2H6
Tel / Tél. : 450-688-2320
Toll Free / Sans frais: 1877-847-9467
Email / Courriel: service@eurocelcanada.com

www.winecellr.ca

Warranty must be active within 30 days of purchase. La garantie doit être enregistrée dans les 30 jours suivant l'achat.

Date: _____

Signature: _____

Note: Model and serial numbers are printed on the white label located on the bottom right inside the wine cabinet





WINE CELL'R

Black Pearl

Manuel d'instructions



Modèles :

WC18FGBK5 (1 zone)

WC32FGDZ5 (2 zones)

WC46FGDZ5 (2 zones)

WC94FGB5 (2 zones)

WC194FGB5 (1 zone)

VEUILLEZ LIRE ATTENTIVEMENT CE MANUEL AVANT L'INSTALLATION ET L'UTILISATION

Table des matières

<u>INFORMATIONS/CONSIGNES DE SÉCURITÉ</u>	25 à 26
Avant d'utiliser votre appareil.....	25
Importantes consignes de sécurité.....	25
Conseils avant l'installation.....	26
<u>INSTALLATION</u>	27 à 32
Mesures et dimensions.....	27
Installation de la poignée.....	30
Inversion de la porte.....	30
Disposition des bouteilles et entreposage.....	32
<u>OPÉRATIONS</u>	32 à 38
Fonctionnement du cellier.....	32
• Affichage du panneau WC18FGBK5.....	32
• Affichage du panneau WC46FGDZ5.....	32
• Affichage du panneau WC32FGDZ5, WC94FGB5, WC194FGB5.....	33
• Température idéale pour servir le vin.....	37
• Serrure.....	37
• Comment retirer une tablette télescopique.....	38
<u>MAINTENANCE</u>	38 à 39
Nettoyage du cellier.....	38
Remplacement du filtre.....	39
Panne électrique.....	39
Conseils d'économie d'énergie.....	39
<u>DÉPANNAGE</u>	40 à 41
<u>VOTRE GARANTIE WINE CELL'R</u>	42 à 44
Garantie limitée.....	42
Conditions & Exclusions.....	43
Contactez-nous.....	44
Carte d'enregistrement.....	44
Numéros de modèle et de série de l'appareil.....	44


INFORMATIONS/CONSIGNES DE SÉCURITÉ

Avant d'utiliser votre appareil

- Retirez le matériel d'emballage intérieur et extérieur.
- Laissez reposer l'appareil en position verticale pour environ 24 heures avant de le brancher afin d'éviter toute complication au niveau du système de refroidissement.
- Utilisez un chiffon doux avec de l'eau tiède pour nettoyer l'intérieur et l'extérieur.

Importantes consignes de sécurité

Avant d'utiliser l'appareil, veuillez svp le positionner et l'installer convenablement selon les spécifications du manuel. Pour éviter un risque d'incendie, un choc électrique ou une blessure en vous servant de l'appareil, veuillez lire et suivre les précautions suggérées dans ce manuel.

- Ne jamais nettoyer les pièces de l'appareil avec des liquides inflammables qui peuvent causer des risques d'incendie ou d'explosion.
- Ne pas entreposer du gaz ou autres produits inflammables près de l'appareil.
- Ne pas brancher ou débrancher l'appareil quand vos mains sont humides.
- Débrancher l'appareil ou couper l'alimentation avant d'effectuer un appel de service, un entretien ou un nettoyage sur l'appareil. Ne pas suivre cette recommandation peut causer un choc électrique ou la mort.
- N'essayez pas de remplacer ou de réparer certaines pièces sur l'appareil, à moins que cela ne soit spécifié dans le manuel, sinon veuillez vous référer à un technicien qualifié.
- Le devant de l'appareil ne doit en aucun cas être obstrué, afin d'assurer une ventilation adéquate.
- L'utilisation de cet appareil est conçue et prévue pour des personnes qui ont une connaissance suffisante du fonctionnement des appareils électriques. Toutes autres personnes (incluant les enfants) doivent être supervisées ou recevoir les instructions au préalable par une personne responsable de leur sécurité.
- Les enfants doivent être surveillés pour ne pas jouer avec l'appareil.
- Ne pas utiliser de produits à base de dissolvant ou d'abrasif à l'intérieur de l'appareil, car ces nettoyeurs pourraient décolorer l'intérieur.
- Ne pas utiliser cet appareil à d'autres fins que celles recommandées.
- L'utilisation d'une rallonge n'est pas recommandée par le fabricant et peut être dangereuse.
- Lorsque vous disposez de l'appareil, assurez-vous d'enlever la porte et de laisser les tablettes en place pour éviter que des enfants grimpent à l'intérieur. Assurez-vous que le circuit de refroidissement et de chaleur en bas à l'arrière de l'appareil n'est pas endommagé. Le symbole  sur le produit ou sur son emballage indique que cet appareil n'est pas un produit devant être mis au rebut ménager, mais plutôt déposé dans un endroit de recyclage approprié pour les appareils électriques.

Conseils avant l'installation

Cet appareil est conçu pour une installation encastrable ou autoportante

- L'appareil est destiné à être utilisé exclusivement pour l'entreposage du vin.
- Placez votre cellier sur un sol plat suffisamment résistant pour le supporter lorsqu'il est complètement chargé.
- **Il est important que l'appareil soit mis à niveau** pour fonctionner correctement (vérifiez avec un niveau de gauche à droite et de l'avant vers l'arrière). Vous pouvez ajuster les pieds de l'appareil pour le mettre à niveau.
- Assurez-vous qu'il y a suffisamment de personnes pour déplacer et installer l'appareil afin d'éviter tout dommage à l'appareil ou aux personnes. Lors du déplacement de l'appareil, **ne pas l'incliner à plus de 45 degrés**.
- L'appareil doit être installé loin des sources de chaleur telles que chauffage, radiateur, four. La lumière directe du soleil peut affecter le revêtement acrylique et les sources de chaleur peuvent augmenter la consommation d'énergie du cellier. Des températures ambiantes froides et extrêmes peuvent également entraîner des dysfonctionnements de l'appareil.
- Évitez de placer l'appareil dans un endroit humide.
- Une fois dans son emplacement, **attendez 24 heures avant de brancher l'appareil**.
- Assurez-vous que la tension / le courant indiqué sur l'étiquette correspond à votre tension d'alimentation. Branchez l'appareil dans une prise à 3 tiges, ne retirez pas la tige de mise à la terre. **N'utilisez pas d'adaptateur, ni de rallonge**.
- Il est recommandé de brancher le cellier dans une barre d'alimentation avec protection contre les surtensions.
- Il est recommandé de prévoir un circuit séparé pour votre appareil.
- La taille du fusible (ou du disjoncteur) doit être de 15 ampères ou plus.
- Toute question concernant l'alimentation électrique et / ou la mise à la terre doit être adressée à un électricien ou un centre de service après-vente agréé.

INSTALLATION

Mesures et dimensions

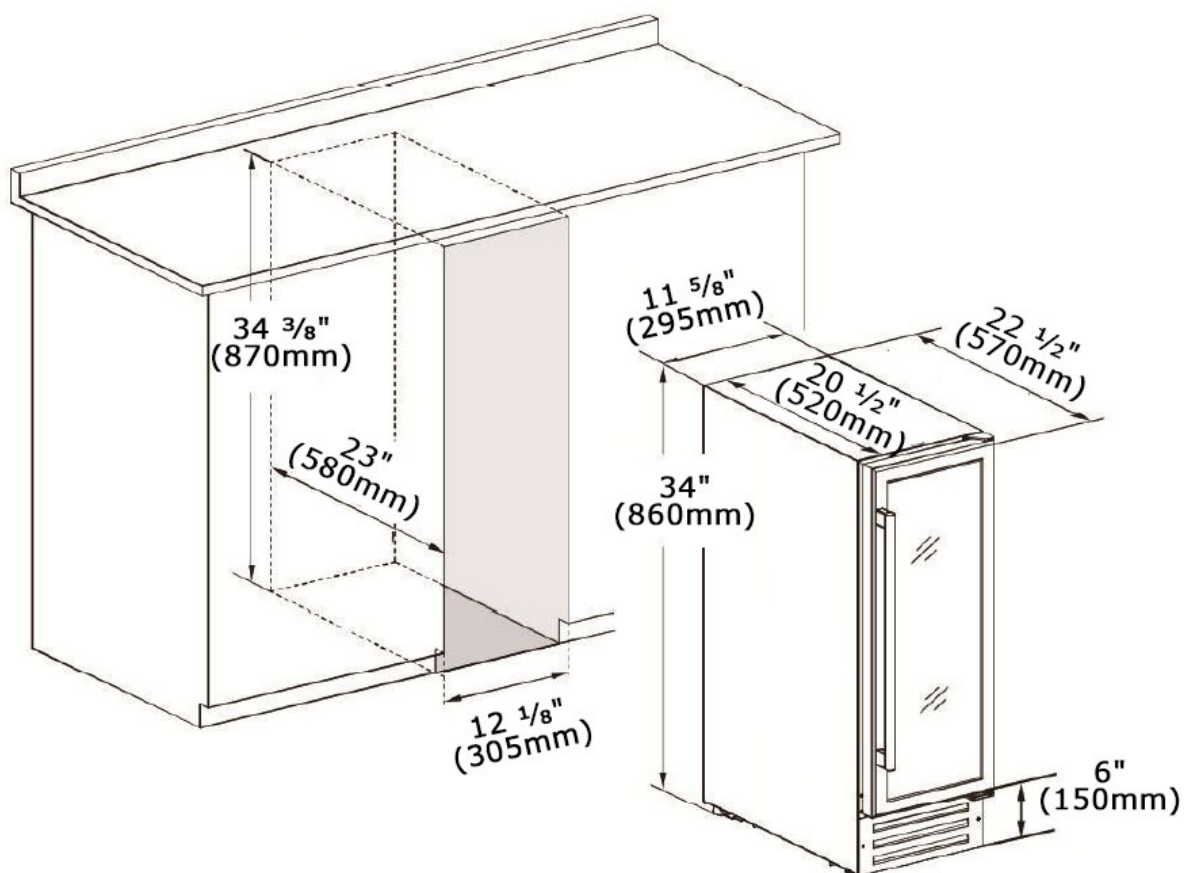
Les dimensions de découpe illustrées ci-dessous permettent le dégagement de la porte et l'accès aux tablettes coulissantes lorsque le cellier est installé en tant qu'appareil encastré.

Votre cellier a été fabriqué avec une porte à dégagement nul, donc aucun espace supplémentaire n'est requis pour tenir compte de l'oscillation de la porte lors de la construction de vos armoires.

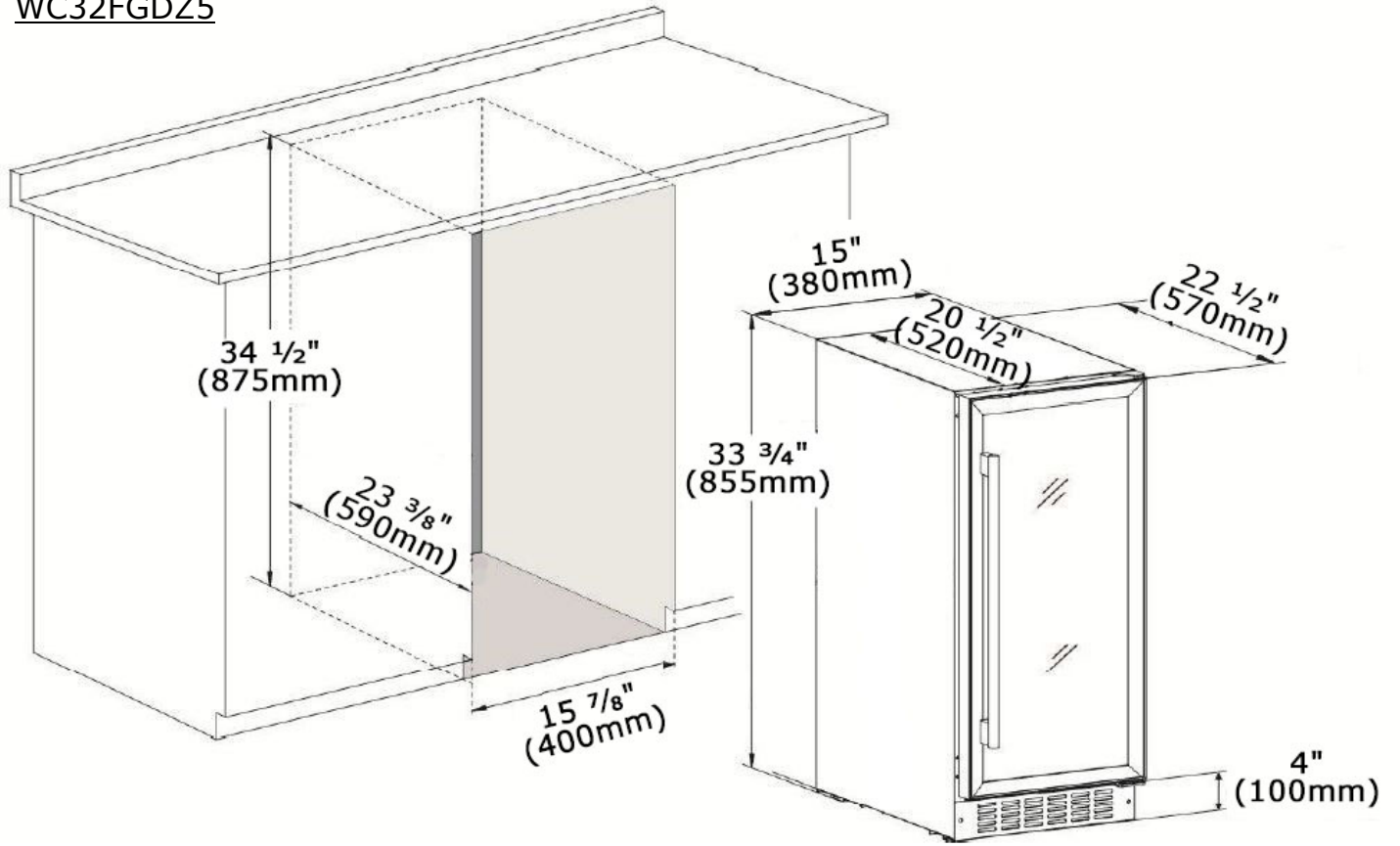
Ces dimensions découpées indiquent l'espace minimum requis pour que votre cellier fonctionne comme prévu.

Notez que la fiche de la prise demande 38 mm de dégagement l'arrière une fois branchée et la poignée est de 45 mm de profondeur maximum, selon les modèles.

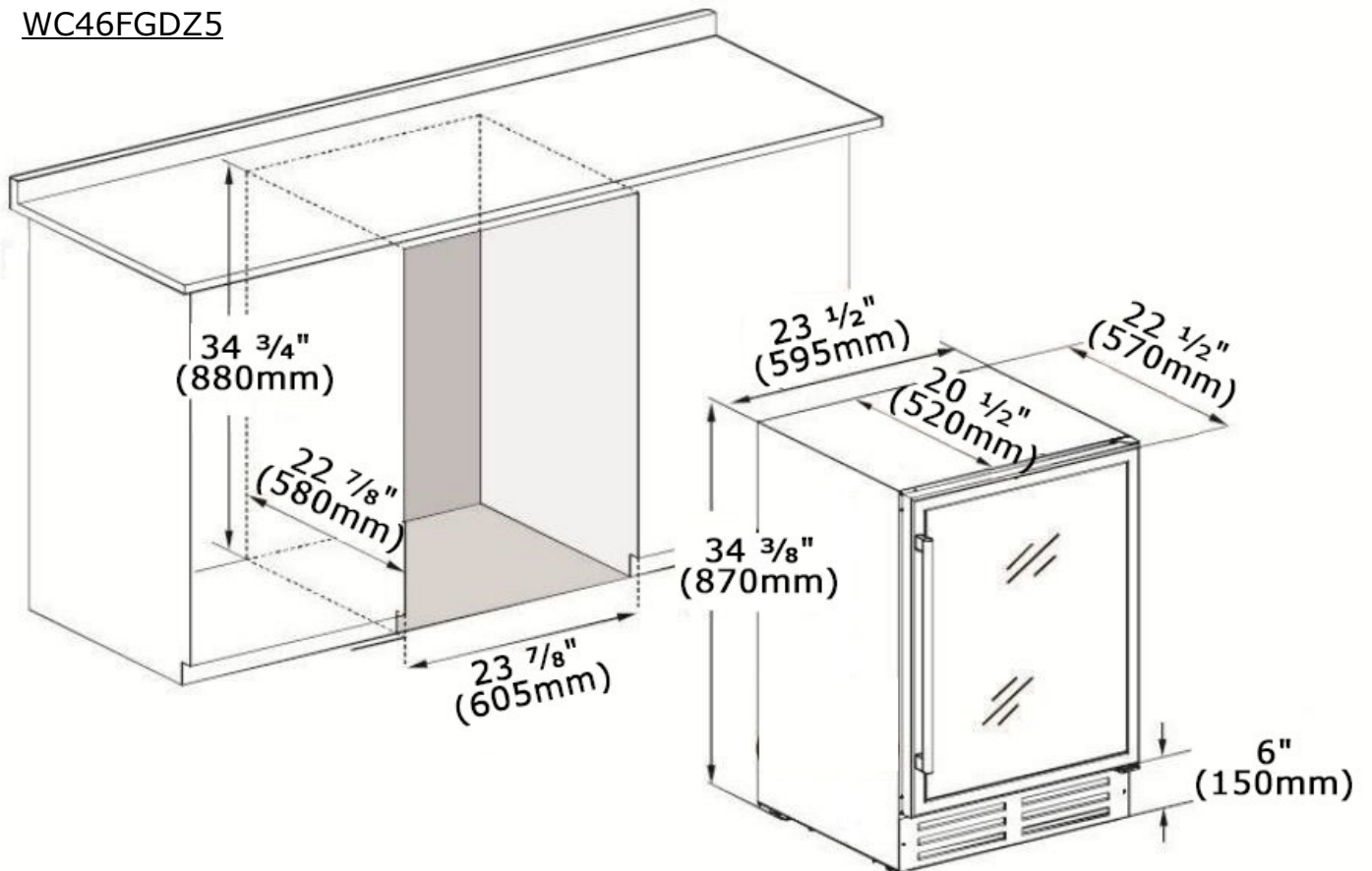
WC18FGBK5



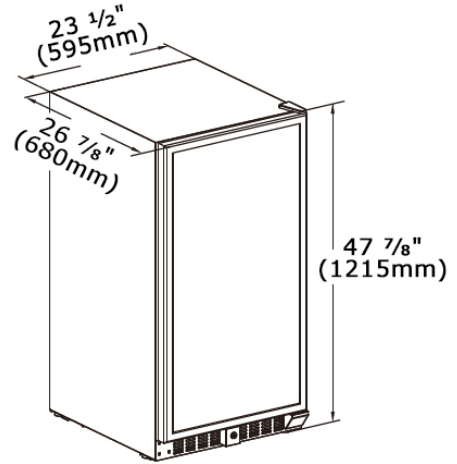
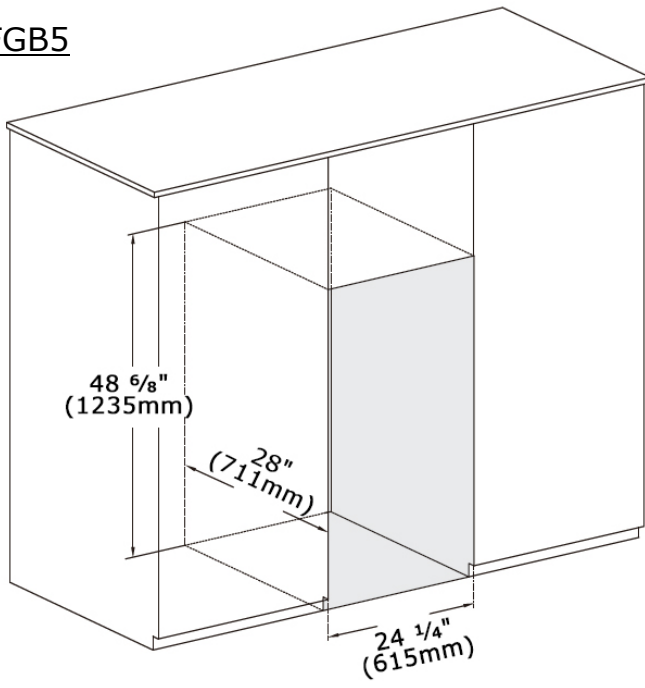
WC32FGDZ5



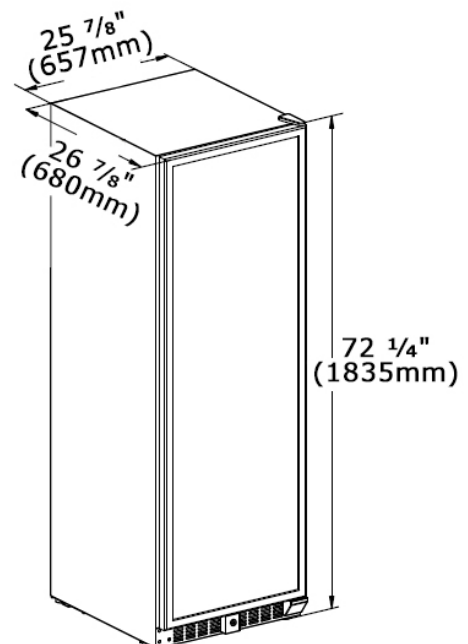
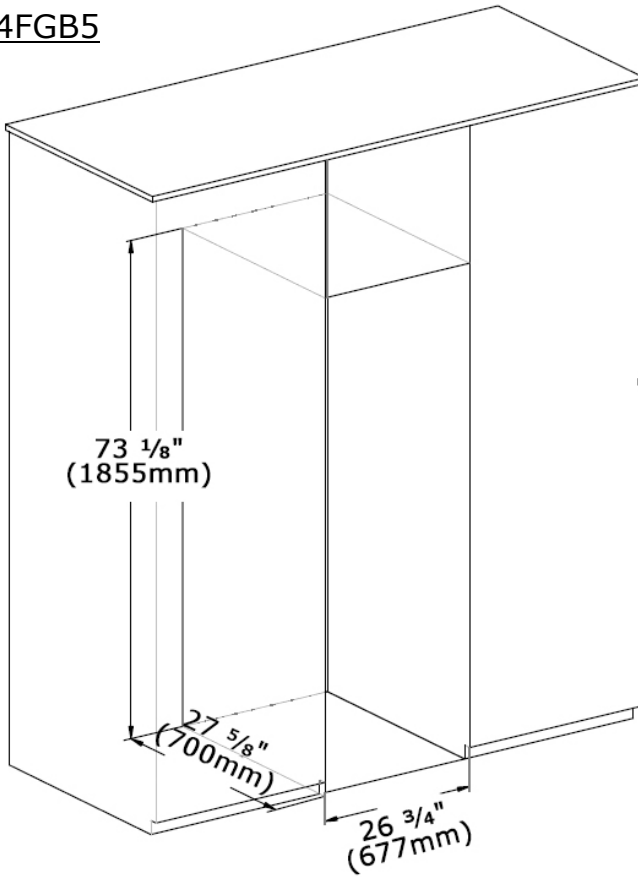
WC46FGDZ5



WC94FGB5

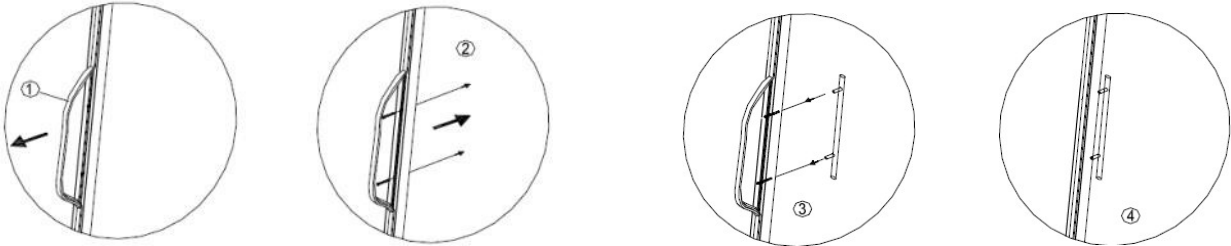


WC194FGB5



Installation de la poignée (modèles WC18FGBK5 et WC46FGDZ5 seulement)

1. Déplacez le joint d'étanchéité de la porte derrière la poignée avec votre doigt. Dans certains modèles, des capuchons de plastique recouvrent les vis ; retirez-les afin d'exposer les vis.
2. Insérez les vis dans les trous prépercés de la poignée.
3. Installez la poignée et serrez les vis.



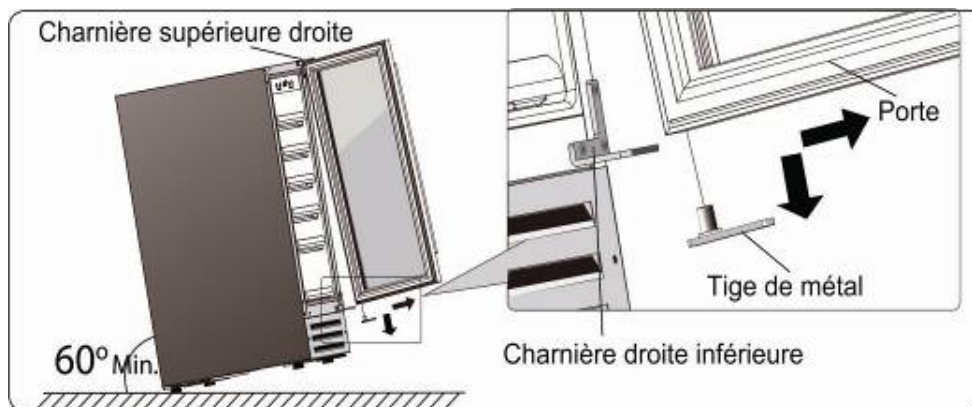
4. Remettez en place le joint et les capuchons de la porte.

Inversion de la porte (modèles WC18FGBK5 et WC46FGDZ5 seulement)

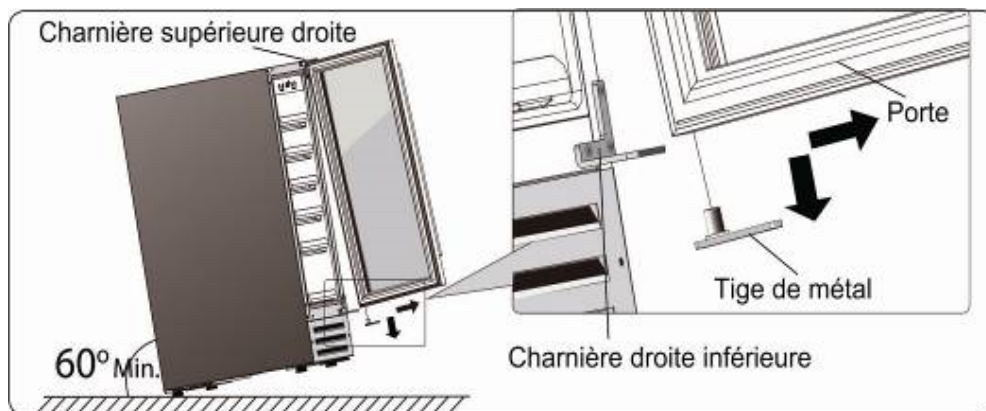
Avant de commencer

Assurez-vous que le cellier est de niveau. Scellez les étagères avec du ruban pour éviter tout mouvement pendant le processus. La porte de cet appareil peut être installée pour s'ouvrir sur le côté gauche ou droit. Pour inverser le mouvement de la porte de votre cellier et l'ouvrir du côté opposé, veuillez suivre les instructions et le schéma ci-dessous.

1. Ouvrez la porte et dévissez les vis de la charnière inférieure.

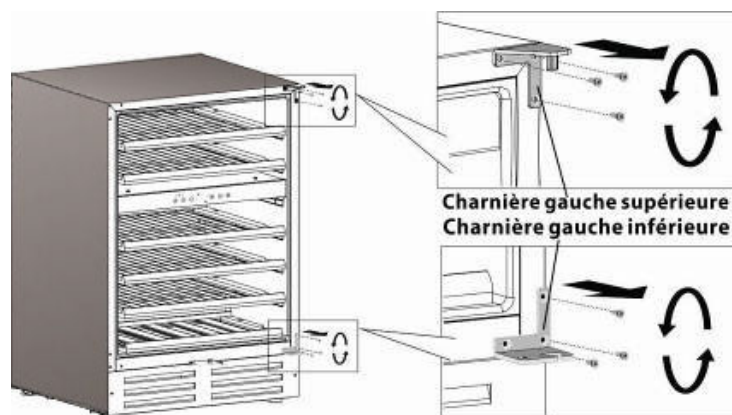


2. Retirez la porte de la charnière supérieure et retirez la tige de métal.



3. Utilisez un petit tournevis à tête plate pour soulever et enlever le capuchon en plastique sur le centre supérieur (trou de verrouillage) de la porte et insérez-le dans le trou central inférieur. Faites une rotation de 180 degrés (sens antihoraire) avec la porte de façon à ce que le haut devienne le bas.

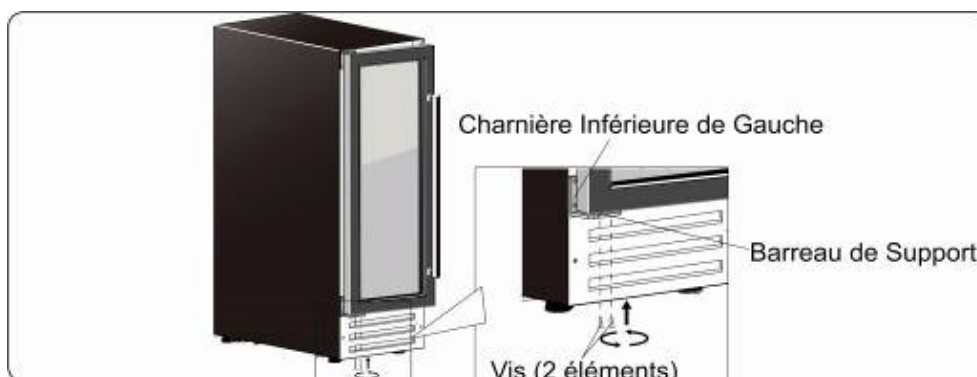
4. Dévissez la charnière supérieure et la charnière inférieure.



5. Délogez les capuchons de plastique du côté gauche du cabinet et changez-les vers le côté droit.

6. Installez sur le côté opposé les charnières gauches incluses comme accessoires avec le manuel d'instructions.

7. Vissez la tige de métal sous la porte, ensuite installez la porte en la rentrant dans la charnière supérieure, puis dans la charnière inférieure. Remettez les vis du barreau de support dans le bas pour fixer la porte.



Disposition des bouteilles et entreposage

Votre cellier a été conçu pour entreposer un nombre maximum de bouteilles en toute sécurité. Nous vous recommandons de suivre les conseils ci-dessous pour optimiser le chargement.

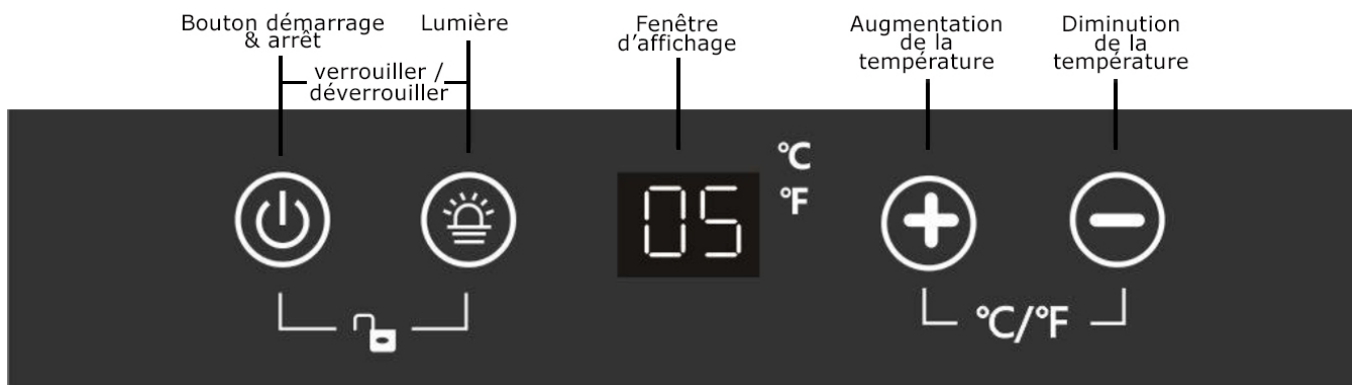
- Retirez le ruban adhésif des étagères une fois que l'appareil est stable et prêt pour l'entreposage.
- Déposez les bouteilles uniformément pour éviter de concentrer le poids en un seul endroit. Les bouteilles ne doivent pas toucher l'arrière du cellier. Votre cellier a été conçu pour contenir des bouteilles de grand format telles que le Pinot Noir et le Champagne ; ces bouteilles plus grandes réduisent le nombre de bouteilles que vous pouvez placer sur une étagère. Assurez-vous que les bouteilles ne sont pas toutes regroupées dans le haut ou le bas du cellier pour un refroidissement optimal.
- Ne tirez qu'une étagère télescopique à la fois. N'essayez jamais d'en tirer plus d'une.

OPÉRATIONS

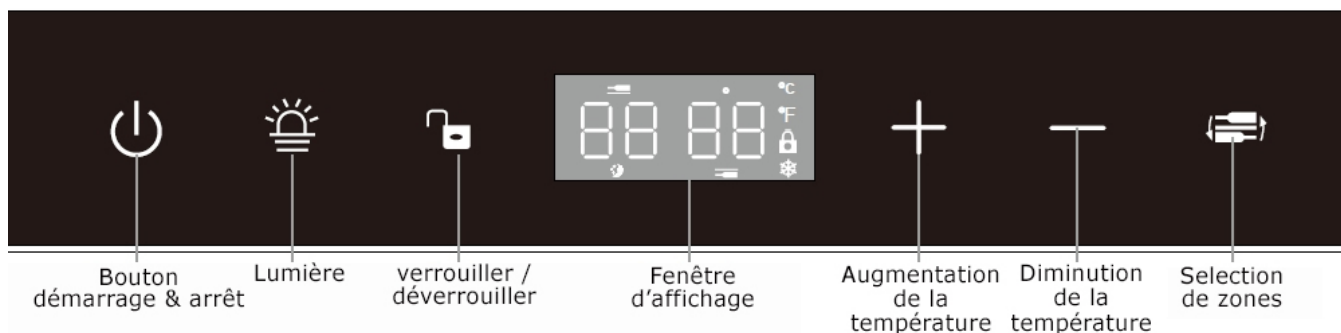
Fonctionnement du cellier

Votre cellier dispose d'un panneau de contrôle avec afficheur sur le devant de la porte. Il inclut plusieurs fonctions qui permettent de contrôler la température des zones inférieure et supérieure de votre cellier.

Affichage du panneau, modèle WC18FGBK5



Affichage du panneau, modèle WC46FGDZ5



Démarrage & Arrêt

Met en marche ou arrête le cellier.

Maintenez la touche enfoncée pendant 3 secondes.

Appuyez légèrement pour activer le mode veille.

Lumière

Allume et éteint l'éclairage intérieur (3 options).

Panneau contrôle (cadenas)

WC18FGBK5: Appuyez sur les deux boutons de gauche simultanément pendant 3 secondes pour verrouiller ou déverrouiller le panneau de contrôle.

WC46FGDZ5: Appuyez sur le bouton cadenas 3 secondes pour déverrouiller le panneau de contrôle.

Fenêtre d'affichage

Affiche la température définie et la température réelle, ainsi que les icônes d'opération.

Augmenter la température (+)

Augmente la température programmée.

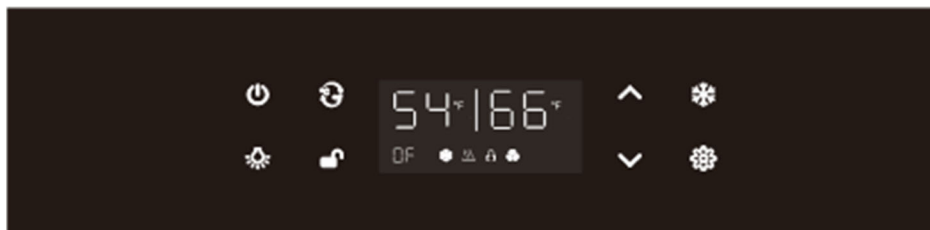
Diminuer la température (-)

Diminue la température programmée.

Température en Celsius ou Fahrenheit

En appuyant simultanément sur les commandes + et - avec le panneau verrouillé, l'affichage de la température **change en Fahrenheit ou en Celsius.**

Affichage du panneau, modèles WC32FGDZ5 / WC94FGB5 / WC194FGB5



a) Panneau de contrôle et réglage de température


ALIMENTATION :


- Appuyez sur ce bouton pour mettre le panneau de contrôle en fonction; les lumières s'allumeront.


- Pour fermer votre cellier lors du nettoyage ou d'une absence prolongée, appuyez de nouveau sur ce bouton et le cellier se fermera.


Une fois que l'appareil a émis un bip, maintenez le bouton d'alimentation pendant 10 secondes et votre cellier se fermera par lui-même. Une fois que le cellier est fermé, veuillez allouer 5 minutes avant de le démarrer à nouveau. Ceci réduit l'usure excessive du compresseur.

 **DÉVERROUILLER** : **Pressez** ce bouton 3 secondes pour déverrouiller le panneau de contrôle.

 **LUMIÈRE** : Votre cellier est équipé de 3 options d'éclairage: rouge, bleu ou un cycle rouge et bleu où les couleurs changent aux 10 secondes. Appuyez 1 fois sur le bouton d'éclairage et les lumières fonctionneront pour un cycle de 10 secondes, alternant entre le rouge et le bleu. Appuyez de nouveau et la couleur changera au bleu. Appuyez une nouvelle fois et la couleur changera au rouge. Finalement, en appuyant une quatrième fois, les lumières s'éteindront.

 **°C/°F** : **Appuyez** pour modifier l'affichage de la température en degrés Fahrenheit ou Celsius.

 **SÉLECTION** : **Appuyez** sur le bouton sélection pour choisir la zone (haut ou bas, si 2 zones)

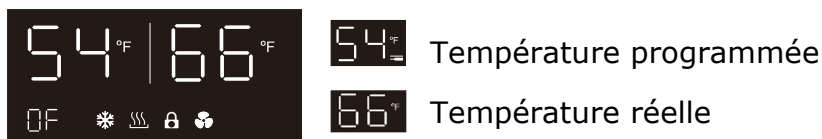
 **TEMP. HAUT** : Appuyez sur ce bouton pour augmenter la température de 1 degré.

 **TEMP. BAS** : Appuyez sur ce bouton pour baisser la température de 1 degré.

AVIS:

Le panneau de contrôle se verrouille automatiquement après 15 secondes d'inactivité. Assurez-vous de déverrouiller le panneau de contrôle avant le réglage. À l'exception du bouton d'alimentation, tous les autres boutons et lumières vont s'éteindre après 15 secondes d'inactivité.

(b) Affichage de température (1 zone)



(c) Affichage de température (2 zones)



Lorsque le panneau de contrôle est déverrouillé, l'affichage de température indiquera la température préenregistrée et quand le panneau de contrôle est verrouillé, c'est l'affichage de la température réelle qui est affichée.

IMPORTANT :

Pour que l'appareil fonctionne à un niveau optimal, la zone du haut doit avoir un écart de 4 à 7 degrés Celsius plus froid que la zone du bas.



SÉLECTION DE PLAGES DE TEMPÉRATURE (pour modèle 1 zone) :

Appuyez sur ce bouton pour changer la plage de température en sélectionnant E, F, H ou L et attendez 3 secondes pour confirmer votre choix.

La température de votre cellier est définie par défaut à E, la température idéale pour le stockage du vin rouge.

Écran	Plages de température
E	41-72 °F (5-22 °C)
F	36-68 °F (2-20 °C)
H	50-66 °F (10-19 °C)
L	32-68 °F (0-20 °C)

NOTES : La plage L permet de descendre aussi bas que le point de congélation; si vous choisissez cette plage et choisissez 0 °C comme température, vos bouteilles peuvent geler et le contenu endommagé / détérioré.



SÉLECTION D'UNE PLAGES DE TEMPÉRATURE (pour modèle 2 zones) :

Appuyez ce bouton pour changer la plage de température en sélectionnant E, F, H ou L et attendez 3 secondes pour confirmer votre choix.

La température de votre cellier est définie par défaut à H, la température idéale pour le stockage du vin rouge.

Écran	Plages de température zone supérieure	Plages de température zone inférieure
E	41-54 °F (5-12 °C)	54-72 °F (12-22 °C)
F	36-54 °F (2-12 °C)	54-68 °F (12-20 °C)
H	41-54 °F (5-12 °C)	46-66 °F (8-19 °C)
L	36-50 °F (2-10 °C)	54-72 °F (12-22 °C)

ON ou **OFF**

La fenêtre d'affichage peut être réglée sur la position arrêt (OFF) pour une apparence plus discrète. Votre cellier continuera de fonctionner, mais l'écran d'affichage ne sera pas visible. Vous pouvez vérifier la température de votre cellier en appuyant sur le bouton alimentation.

Pour modifier la fenêtre d'affichage à ON ou OFF, appuyez sur la touche °C / °F pendant 5 secondes lorsque le panneau de contrôle est verrouillé. Une fois que le bouton ON / OFF clignote, appuyez sur **°C / °F** une seconde fois pour accéder à l'option interface. Le voyant ON affichera les données sur l'écran en permanence et le voyant OFF éteindra l'écran. Laissez le panneau de contrôle intact sans le toucher pendant 5 secondes pour confirmer votre option.

AVIS:

Les températures peuvent varier si l'éclairage intérieur est activé ou en fonction de la position des bouteilles.

Avant de commencer:

Le cellier doit être installé dans un endroit où la température ambiante se situe entre 60-80 °F ou 15-27 °C. Si la température ambiante est en dehors de cette recommandation, le rendement du cellier peut être affecté. En installant votre appareil dans des conditions extrêmement froides ou chaudes, ceci peut entraîner des fluctuations de température à l'intérieur de votre cellier.

AVIS:

Si l'appareil est débranché, s'il tombe en panne ou est désactivé, vous devez attendre 5 minutes avant de le redémarrer. Une tentative avant ce délai peut empêcher le cellier de démarrer.

Lorsque vous utilisez votre cellier pour la première fois ou que vous le redémarrez après une panne de courant pour une longue période, il y aura un décalage de quelques degrés pour les premières heures de fonctionnement entre la température que vous choisirez et celle indiquée sur l'affichage. Après quelques heures, la température se normalisera à la température indiquée.

Le panneau de contrôle dispose d'une fonction «mode veille» pour masquer les boutons de contrôle et les chiffres d'affichage. Si vous appuyez doucement/brièvement sur le bouton «démarrage / arrêt», toutes les touches de contrôle s'éteindront, puis, si vous touchez doucement l'un des boutons, tout le panneau se rallumera.

Vous avez également la possibilité d'éteindre l'affichage des chiffres de température lorsque le panneau de contrôle se met en veille tout en étant verrouillé; maintenez simplement le bouton LUMIÈRE enfoncé pendant 3 secondes; l'affichage des chiffres de la température s'assombriront.

Température idéale pour servir le vin

Bien que la température d'entreposage optimale soit généralement considérée comme étant entre 53-57 °F et 12-14 °C, les différentes variétés de vin ont différentes

températures de dégustation recommandées pour un goût optimal. Les plages de température recommandées pour servir différents cépages sont énumérées ci-dessous.

Vins rouges	59-65 °F
	15-18 °C
Vins blancs	45-52 °F
	7-11 °C
Champagnes	40-45 °F
	4-7 °C

Note:

- Si l'appareil est débranché, s'il perd son alimentation ou est éteint, vous devez attendre 5 minutes avant de le redémarrer. Le compresseur ne redémarrera pas avant ce délai et le cellier ne pourra refroidir avant ces 5 minutes d'attente.
- Lorsque vous utilisez le cellier pour la première fois ou si vous redémarrez celui-ci après une longue période d'arrêt, il y aura une variation de quelques degrés entre la température que vous sélectionnez et celle indiquée sur le panneau de contrôle, les premières heures. Après quelques heures de fonctionnement, la température se normalisera à la température sélectionnée.

Serrure

- Cet appareil est livré avec une serrure à clé.
- Les clés sont situées à l'intérieur du sac de plastique contenant le manuel d'utilisation. Pour déverrouiller la porte, insérez la clé dans la serrure et tournez dans le sens inverse des aiguilles d'une montre.
- Pour verrouiller la porte, inversez simplement l'opération en vous assurant que la goupille métallique soit complètement engagée. Ensuite, retirez la clé et placez-la dans un endroit sûr pour la conserver.

Modèles de 94 bouteilles et plus

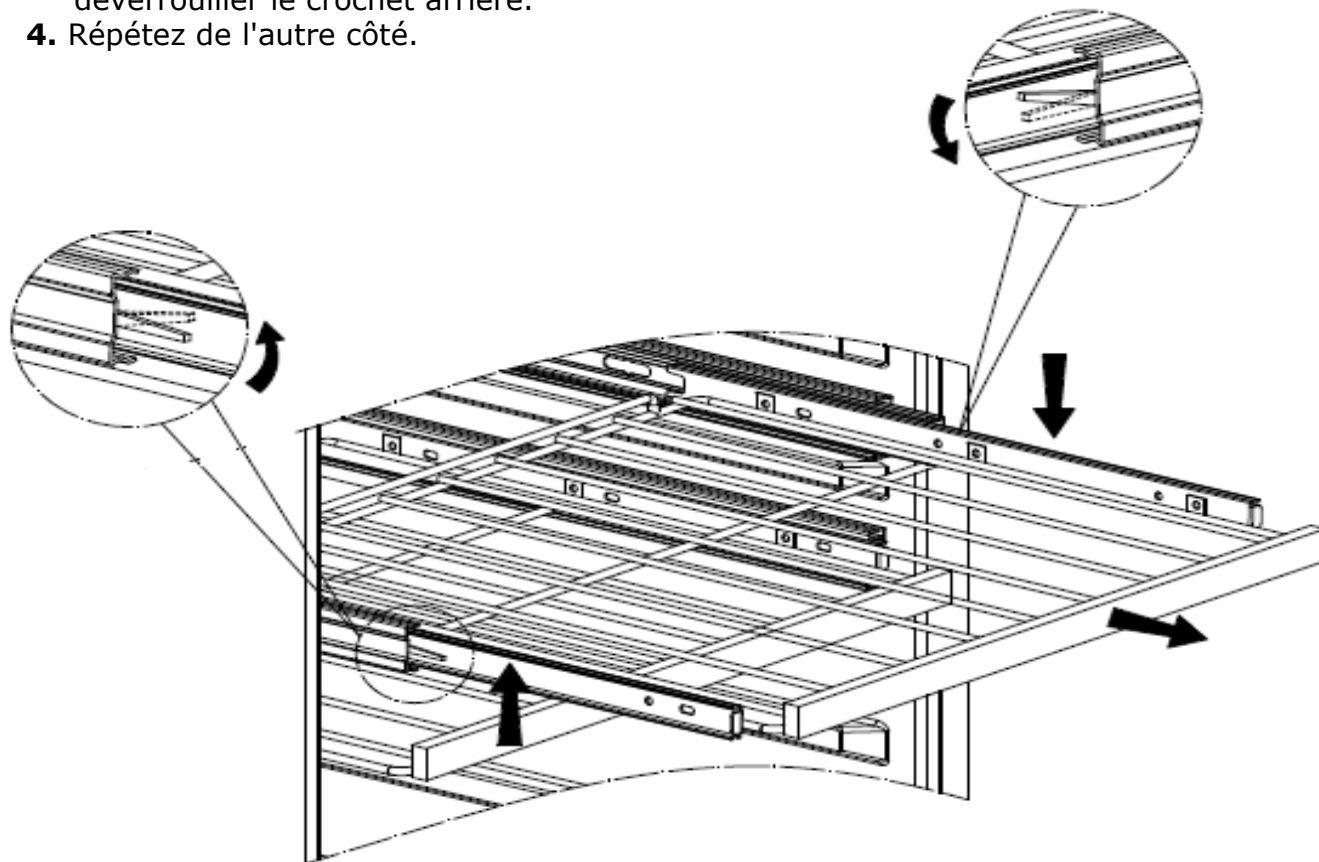


Modèles de moins de 94 bouteilles



Comment retirer une tablette télescopique

1. Retirez toutes les bouteilles.
2. Tirez la tablette le plus loin possible.
3. Tenez la tablette télescopique d'une main et de l'autre main, soulevez doucement l'avant de la tablette par la languette avant, puis poussez vers l'arrière pour déverrouiller le crochet arrière.
4. Répétez de l'autre côté.



MAINTENANCE

Nettoyage du cellier

- Fermez le cellier et débrancher-le. Enlevez les bouteilles et les tablettes à l'intérieur.
- Nettoyez les surfaces intérieures avec une éponge et du bicarbonate de sodium.
 - La solution est de 2 c. à table mélangées à 1 litre d'eau tiède.
- Lavez les tablettes avec un savon doux.
- Enlevez l'excès d'eau sur l'éponge ou le chiffon avant de nettoyer le panneau de contrôle ou les pièces électriques.
- Nettoyez l'extérieur du cabinet avec de l'eau tiède, un chiffon et un savon doux. Pour les grilles et les portes en acier inoxydable, utilisez un nettoyant spécialement conçu pour ce type de surface.

- Passez l'aspirateur sur la grille avant et l'arrière de l'appareil deux fois par an.
 - Assurez-vous que l'alimentation soit coupée avant de nettoyer.
- Il est recommandé de nettoyer l'appareil complètement à l'intérieur et à l'extérieur une fois par an pour maximiser la longévité du cellier et la finition des différents matériaux.

Remplacement du filtre

Le filtre à charbon actif doit être remplacé une fois par année. Il préserve l'efficacité de votre cellier. Pour le retirer, saisissez le rebord avec vos doigts et tournez vers la gauche ou la droite en tirant légèrement jusqu'à ce que les trous du panneau et les goupilles de plastique du filtre soit alignés. Pour le replacer, alignez et rentrez les goupilles de plastique, puis tournez pour le verrouiller en place.



Panne électrique

- La plupart des pannes électriques sont réglées en quelques heures. Ceci ne devrait aucunement affecter la température de votre cellier, si vous minimisez l'ouverture de la porte. Si la panne électrique persiste pour un long moment, vous devez prendre les mesures nécessaires pour protéger vos bouteilles.
- Si l'appareil est débranché, s'il perd son alimentation ou est éteint, vous devez attendre 5 minutes avant de le redémarrer. Tenter de redémarrer le cellier avant la fin de cette période peut empêcher le démarrage de ce dernier.

Conseils d'économie d'énergie

- Le cellier doit être situé dans la zone la plus froide de la pièce, loin des appareils produisant de la chaleur et à l'abri de la lumière directe du soleil.
- Vérifiez régulièrement si la porte est bien fermée et si le joint de la porte colle bien au cellier.
- Remplissez le plus possible le cellier (minimum à 50%); plus il y aura de contenu, plus la température sera stable et le compresseur partira moins souvent.

DÉPANNAGE

Beaucoup de problèmes communs peuvent être résolus très facilement. Suivez les conseils de dépannage ci-dessous si vous rencontrez des problèmes :

No.	PROBLÈME	CAUSES & SOLUTIONS
1	Le cellier ne fonctionne pas	<p>Vérifier s'il est branché.</p> <p>Le cellier n'est pas à ON.</p> <p>Le circuit est fermé ou un fusible est brûlé.</p> <p>Il devrait être le seul appareil branché dans la prise. Il est recommandé de prévoir un circuit de 15 amp dédié exclusivement au cellier.</p>
2	Le cellier ne refroidit pas assez	<p>Vérifier les paramètres de température sur le contrôle.</p> <p>L'environnement extérieur exige des paramètres de température plus froids sur le contrôle.</p> <p>La porte est souvent ouverte.</p> <p>La porte n'est pas complètement fermée.</p> <p>Le joint d'étanchéité ne ferme pas bien.</p>
3	La température de mon cellier varie souvent de 3-4 degrés. Est-ce normal?	<p>C'est normal : de légers écarts de température sont nécessaires au bon fonctionnement du cellier. Lorsque le cellier entame un cycle de dégivrage, la température augmente un peu. Lorsque le système de réfrigération se remet ensuite en marche, la température refroidit.</p> <p>Ces changements s'effectuent sur de courtes périodes et leurs influences sont trop minimes pour pouvoir affecter la conservation du vin. Le liquide tend à se maintenir à une température moyenne.</p>
4	Mon cellier ne maintient pas sa température et le compresseur démarre souvent?	<p>Est-ce que votre cellier est rempli au moins à 50% de sa capacité ? Votre cellier est-il en marche depuis plus de 48 heures?</p> <p>Le cellier est installé près d'une source de chaleur (calorifère, porte, fenêtre, poêle, etc).</p> <p>La porte n'est pas complètement fermée.</p> <p>Le joint d'étanchéité ne ferme pas bien.</p>
5	Le cellier se ferme automatiquement ON/OFF fréquemment	<p>La température de la pièce est plus chaude que normalement.</p> <p>Un gros contenu a été ajouté dans le cellier.</p> <p>La porte est trop souvent ouverte.</p> <p>La température n'est pas bien ajustée.</p>
6	La lumière ne fonctionne pas	<p>Le cellier est-il branché?</p> <p>Le circuit est fermé ou un fusible est brûlé.</p> <p>La lumière est fermée, utilisez le panneau de contrôle pour l'allumer (voir section Opérations).</p>
7	Trop de vibration	<p>Vérifier si l'appareil est à niveau.</p> <p>Assurez-vous qu'aucune pièce à l'intérieur du cellier (tablette/rail) ou à l'arrière près du compresseur n'est pas mal fixée (tuyaux qui frottent sur du métal, attache brisée, etc)</p>

No.	PROBLÈME	CAUSES & SOLUTIONS
8	Le cellier semble faire trop de bruits	<p>Le bruit peut parvenir du liquide réfrigérant ce qui est normal.</p> <p>À chacun des fins de cycle, vous pouvez entendre un gargouillement causé par le liquide réfrigérant.</p> <p>L'expansion et la contraction des murs intérieurs peuvent causer des bruits de craquements.</p> <p>L'appareil n'est pas à niveau.</p> <p>Les mesures d'encastrement n'ont pas été respecté laissant un trop grand espace entre le cellier et les armoires amplifiant le bruit du compresseur et du ventilateur à l'arrière.</p> <p>La hauteur des plafonds ainsi que la grandeur de la pièce (aire ouverte) peuvent aussi accentuer le bruit (effet d'écho).</p>
9	La porte ne ferme pas bien.	<p>Le cellier n'est pas à niveau.</p> <p>La porte a été inversée et mal installée.</p> <p>La porte est ouverte mais la serrure est barrée.</p> <p>Le joint d'étanchéité est sale.</p> <p>Les tablettes sont mal installées sur les rails ou des bouteilles trop grandes ou mal placées empêchent une tablette de fermer.</p>
10	La porte de mon cellier n'est pas égale au caisson.	<p>Ajustez les pieds vérins à l'avant du cellier jusqu'à ce que la porte soit égale au caisson.</p> <p>Les vis de la charnière ne sont pas assez serrées, remplacez la porte égale au caisson et serrer les vis.</p>
11	J'ai une tablette qui n'est pas de niveau ?	<p>Il faut s'assurer que la tablette est bien fixée sur ses rails. Il faut s'assurer que la tablette est bien fixée sur ses rails.</p>
12	Il y a de l'eau sur le plancher du cellier	<p>Vérifiez que le drain est bien dans le bac d'évaporation à l'arrière du cellier. Si oui, par période très humide, il faudra peut-être éponger le surplus d'eau dans le bac.</p> <p>Vérifiez que le cellier soit à niveau de l'avant à l'arrière et de gauche à droite.</p>
13	Mon cellier accumule de l'eau à l'intérieur?	<p>Ceci est un phénomène observé surtout en été dû à l'humidité. Vérifiez si le joint de la porte est étanche. Il est recommandé pendant les temps très humides d'éponger le surplus d'eau qui se forme à l'intérieur de votre cellier et si nécessaire dans le bac arrière près du compresseur.</p>
14	Il y a formation de givre sur l'évaporateur au fond du cellier.	<p>C'est un phénomène très normal lorsque les vapeurs d'eau gèlent. Cependant lorsque le cycle de refroidissement se termine la glace fond et coule par le drain, ces gouttes s'évaporent en temps normal.</p>
15	Mon cellier a de la buée / de l'humidité entre les vitres thermiques.	<p>Par période très humide, principalement en été, cette situation peut se produire.</p>
16	L'écran numérique indique HH ou LL et un bruit continu (beep) se fait entendre.	<p>La sonde de température est non fonctionnelle et doit être remplacée.</p>

VOTRE GARANTIE WINE CELL'R

L'appareil doit avoir été utilisé dans les conditions normales recommandées par le fabricant. **Une preuve de la date d'achat est requise** pour obtenir le service de garantie, **ainsi que le numéro de série de l'appareil** (collant blanc à l'intérieur, en bas à droite. Ex. : 2020010123, voir P.44). Toutes les réparations sous garantie sont effectuées par notre centre de réparation autorisé, en tenant compte des conditions et exclusions décrites plus bas. Garantie applicable au Canada seulement.

Garantie limitée 2 ans sur pièces et main-d'œuvre

Wine Cell'R fournira à son gré toutes les pièces qui se révèlent défectueuses en raison d'un vice de matière ou de fabrication et fournira également sans frais la main-d'œuvre et les services de réparation pour remplacer lesdites pièces défectueuses, et ce, 2 ans à compter de la date d'achat.

Garantie limitée de 3 ans sur le compresseur

Pendant les 2 premières années de la garantie (à compter de la date d'achat) Wine Cell'R remplacera le compresseur défectueux gratuitement, pièces et main-d'œuvre, en autant que l'appareil aura été installé et utilisé suivant le mode d'emploi fourni avec l'appareil.

Pendant la troisième année de garantie, Wine Cell'R remplacera uniquement le compresseur. Les frais de main-d'œuvre, de transport ou autres seront aux frais de l'acheteur. Dans le cas où il faille ramener l'appareil en atelier, le coût du transfert et du retour au domicile est aux frais de l'acheteur.

Une garantie prolongée peut être disponible pour un coût supplémentaire au moment de l'achat. Veuillez vous informer auprès de votre détaillant.

Au cours de la période de garantie limitée, Wine Cell'R réparera ou remplacera à sa discrétion tout appareil qui ne fonctionne pas selon les spécifications du fabricant. Wine Cell'R se réserve le droit de substituer des matériaux sensiblement similaires dans le cas où des matériaux ne sont pas disponibles au moment où le service de garantie est effectué.

Conditions & Exclusions

Les pièces en plastique sont garanties pendant trente (30) jours seulement à partir de la date d'achat, sans aucune prolongation prévue.

Ce que Wine Cell'R ne couvre pas

- Visite d'un technicien à domicile pour expliquer le fonctionnement du cellier.
- Une installation inappropriée (par exemple, encastrement d'un appareil autoportant ou utilisation extérieure d'un appareil non conçu à cet effet).
- Toute perte de contenu.
- Le remplacement de fusible ou le réenclenchement des disjoncteurs du panneau de distribution de votre résidence.
- Tout dommage à l'appareil attribuable à un accident, un incendie, une inondation, un vol, la foudre, un cas de force majeure ou un manque d'entretien.
- Les diagnostics de type « aucun problème trouvé ».
- Un évaporateur perforé annule la garantie sur tout le système d'étanchéité.
- Les réparations effectuées par des techniciens non agréés et non autorisés par Wine Cell'R.
- Tout dommage subi pendant le transport ou le déplacement de l'appareil.
- Les frais liés à l'enlèvement ou à la réinstallation du produit qui n'est pas accessible au technicien.
- Le déplacement d'un technicien pour changer une porte de côté, mettre à niveau ou installer l'appareil.
- Tout dommage direct ou indirect causé à vos biens personnels par une défectuosité possible de l'appareil.
- Alimentation électrique incorrecte (tension faible, câblage défectueux, fusibles incorrects, utilisation d'une rallonge).
- Circulation d'air inadéquate dans la pièce ou des conditions de fonctionnement anormales (températures extrêmement élevées ou basses).

L'acheteur doit comprendre et admettre que le produit acheté est un cellier conçu pour conserver le vin. L'acheteur assume toute responsabilité de son vin en utilisant cet appareil, y compris le risque de détérioration, de variation d'humidité, de température, de fuite, de moisissure et de sécheresse.

Contactez-nous

Merci d'avoir acheté un appareil de qualité Wine Cell'R. Nous vous conseillons d'activer votre garantie dès maintenant. Il suffit de remplir le formulaire d'enregistrement ci-joint et de nous le retourner par la poste ou par courriel à service@eurocelcanada.com ou par télécopieur au 450 688-2324.

WARRANTY REGISTRATION CARD
CARTE D'ENREGISTREMENT DE GARANTIE

WINE CELL'R

First Name / Prénom: _____ Last Name / Nom: _____

Address / Adresse: _____ City / Ville: _____ Prov.: _____ Postal Code / Code Postal: _____

Tel / Tél.: _____ Email / Courriel: _____

Purchase Date / Date d'achat: _____ Purchased From / Acheté par: _____

Sérial Number / Numéro de série: _____

Model Number / Numéro de modèle: _____

Send to / Expédier à :
DISTRIBUTION **EuroCel** CANADA INC. Exclusive Distributor / Distributeur Exclusif Wine Cell'R Canada
3208 Desserte Sud A440 Ouest.
Laval (Québec) H7T 2H6
Tel / Tél. :450-688-2320
Toll Free / Sans frais: 1877-847-9467
Email / Courriel: service@eurocelcanada.com

www.winecellr.ca
Warranty must be active within 30 days of purchase. La garantie doit être enregistrée dans les 30 jours suivant l'achat.

Date: _____

Signature: _____

Note : Les numéros de modèle et de série sont imprimés sur l'étiquette blanche à l'intérieur du cellier, en bas à droite.

