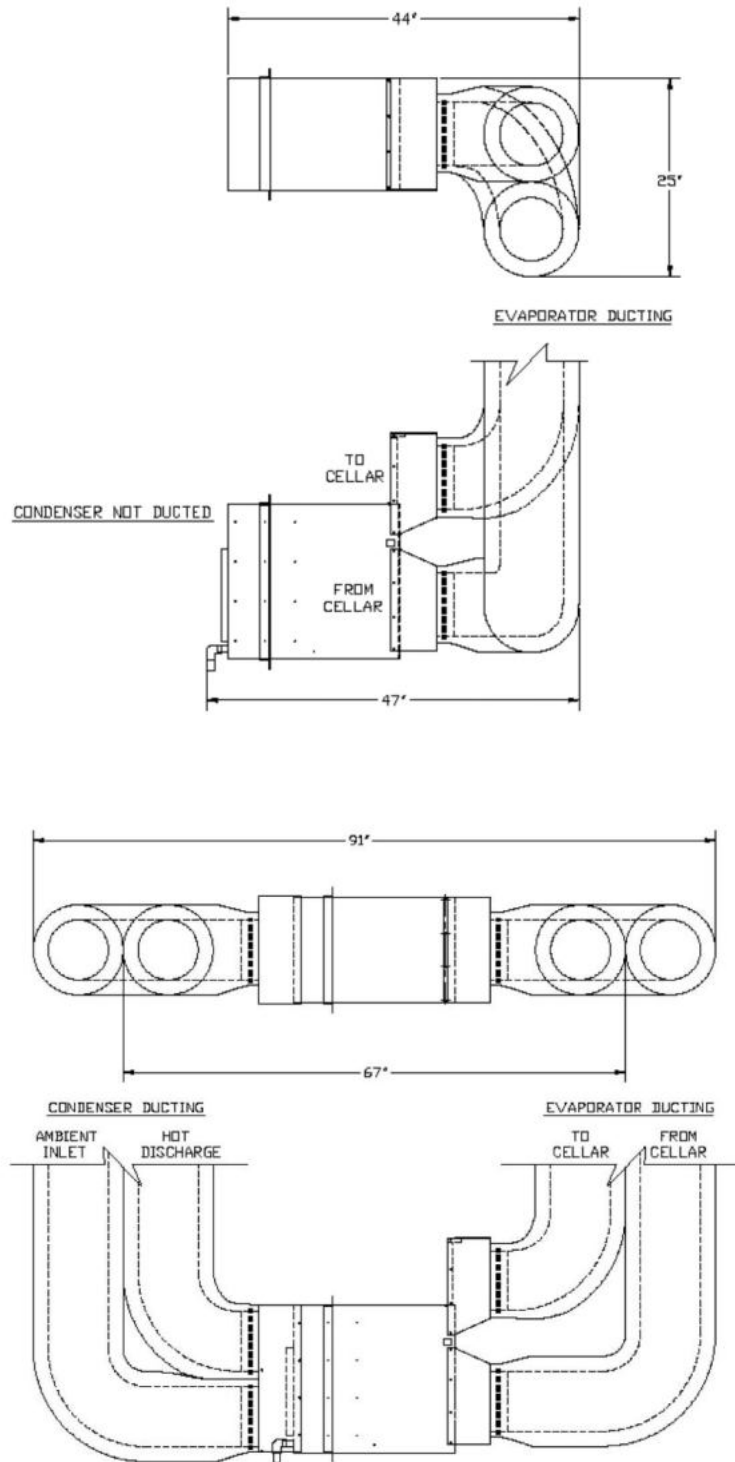


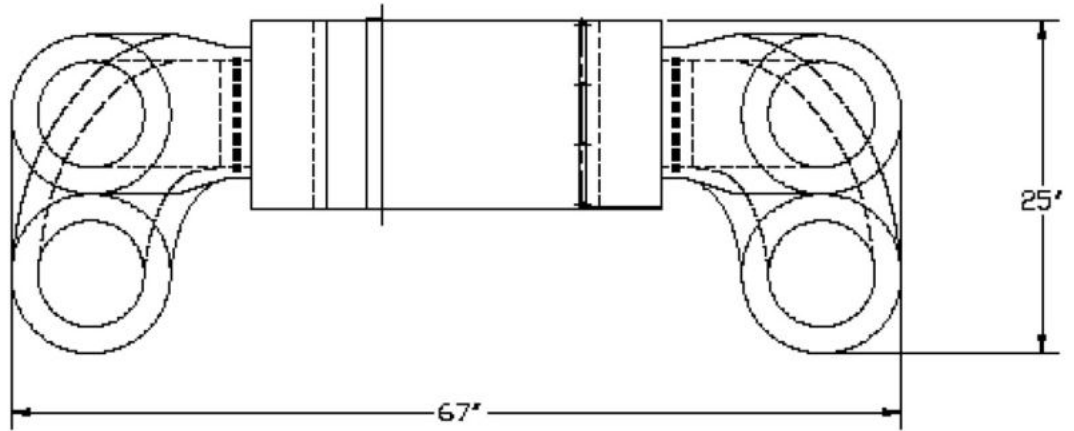
## Front Ducted Installation Min/Max Overall Dimensions



# Front & Rear Drawings As Ducted

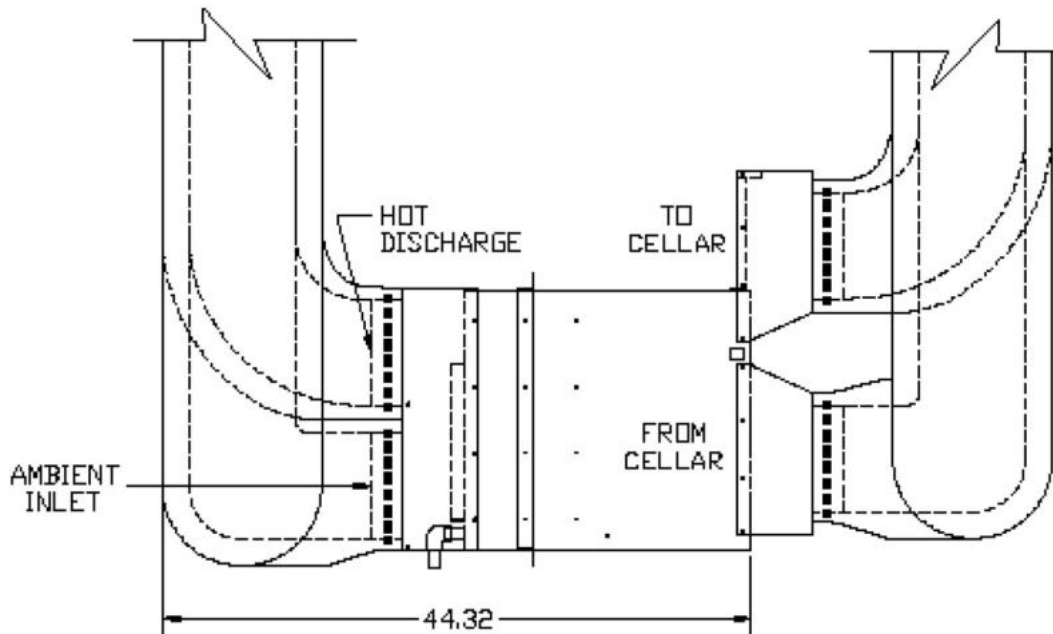
3200VS  
4200VS

## Option 1



CONDENSER DUCTING

EVAPORATOR DUCTING



# Front & Rear Drawings As Ducted

3200VS  
4200VS

## Option 2

