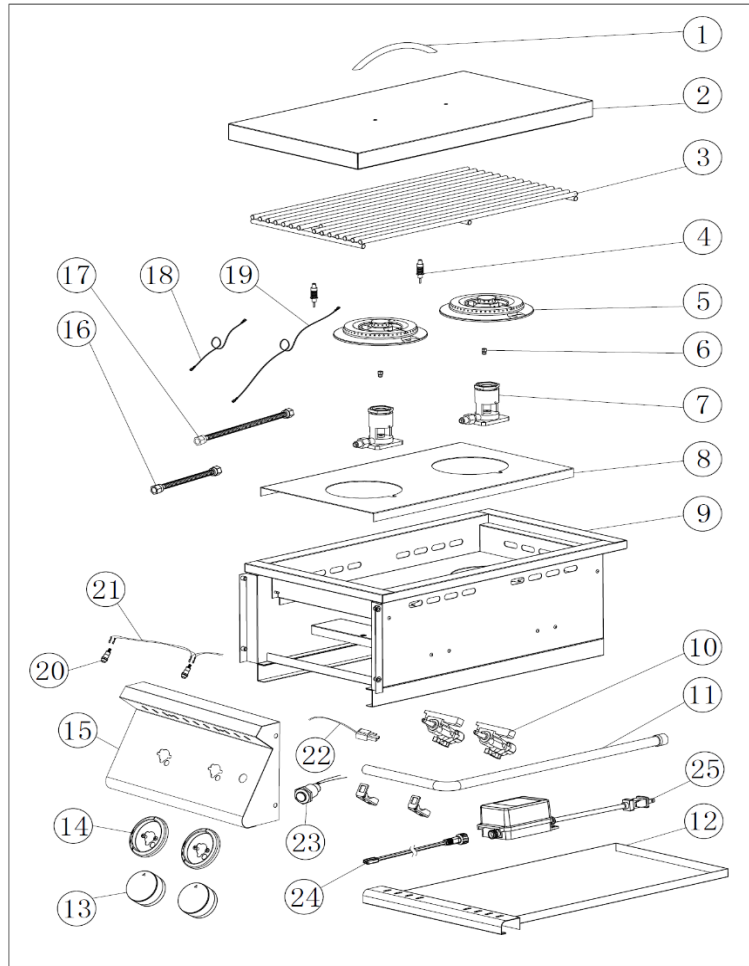


# RJCSSBL Parts List



KEY #	PART #	DESCRIPTION	QTY
1	RJCSSB001	Hood Handle	1
2	RJCSSB002	Hood	1
3	RJCSSB003	Top Grate	1
4	RSB1005	Ignition Electrode	2
5	RSB1004	Burner Assembly	2
6	RSB1007A	Orifice LP 1.05	2
	RSB1007B	Orifice NG 1.6	2
7	RSB1008	Burner Base Assembly	2
8	RJCSSB008	Burner Plate	2
9	RJCSSB009	Basin Assembly	1
10	RJCSSB010	Valve	2
11	RJCSSB011	Manifold Assembly	1
12	RJCSSB012	Drip Pan	1
13	RJC066P	Knob	2
14	RJC026P	Knob Bezel	2
15	RJCSSBL001	Control Panel Assembly	1
16	RSB1011	Flex Tube 200mm	1
17	RJCSSB017	Flex Tube 400mm	1
18	RJCSSB018	Ignition Wire 330mm	1
19	RJCSSB019	Ignition Wire 480mm	1
20	RJC076P	LED light	2
21	RJCSSBL002	LED light wire	1
22	RJCSSBL003	LED light power line	1
23	RJCSSBL004	LED light switch	1
24	RJCSSBL005	Transformer joint and wire	1
25	RJCSSBL006	Transformer	1