

SPARK & BELL

Triple & Quadruple pendant safety

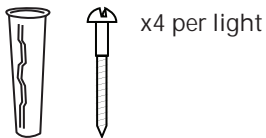
Due to the size and weight of our triple & quadruple pendant lights, it is important that your ceiling is strong enough for installation.

It is the sole responsibility of yourself & your electricians discretion as to whether your space is safe and suitable for these fittings & weights.

The fitter is responsible for using the safest plugs, anchors, fittings etc, for your particular ceiling and specification.

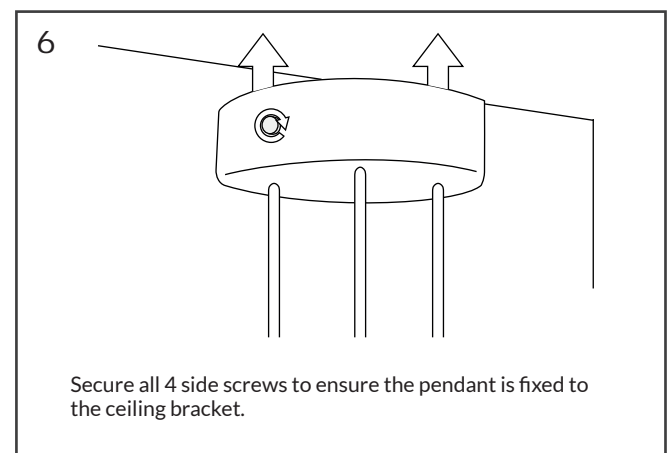
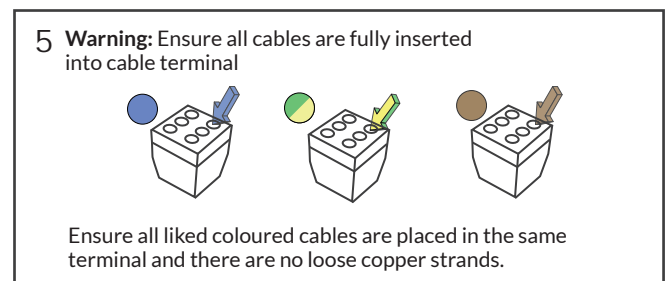
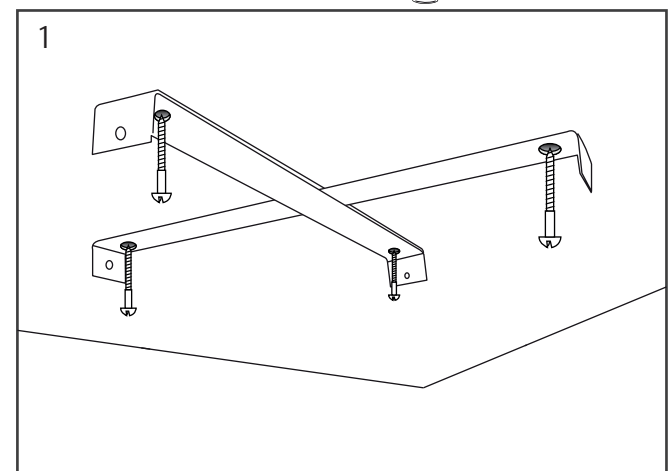
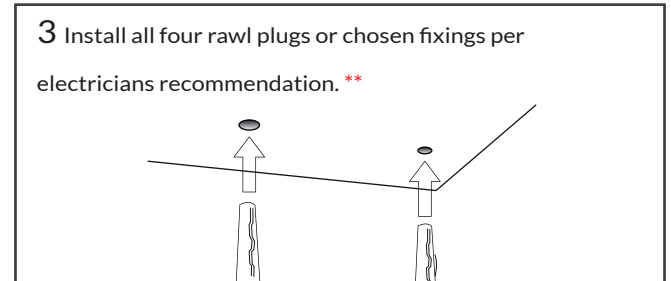
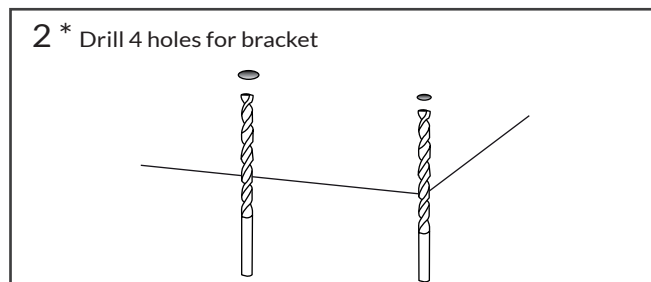
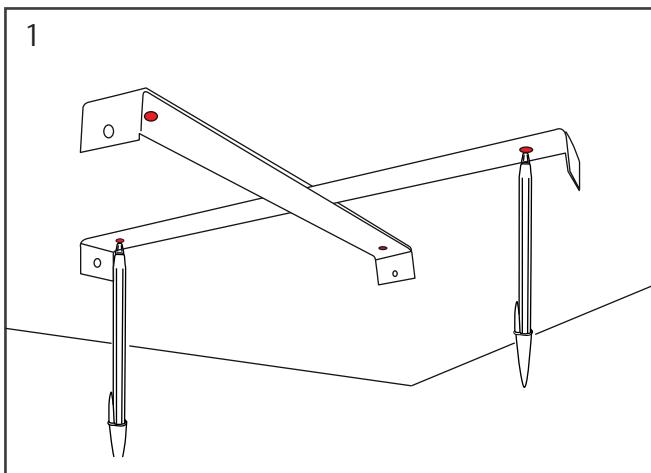
****The screws & rawl plugs we provide may not be suitable for your ceiling / specification. Consult a professional electrician for fitting.**

Parts Included:



You will need:

- Electric Drill
- Screwdriver



SPARK & BELL

Lighting installation safety steps:

- Shut off the power before installing
 - Do NOT exceed the wattage listed on the label
 - These lights are for INDOOR USE ONLY
 - Always make sure any surface close to the bulb is at least 30mm away to prevent fire hazard
 - Ensure fixings are appropriate for the mounting surface
 - Screws provided may not be suitable
-

SPARK & BELL

Lighting installation safety steps:

- Shut off the power before installing
- Do NOT exceed the wattage listed on the label
- These lights are for INDOOR USE ONLY
- Always make sure any surface close to the bulb is at least 30mm away to prevent fire hazard
- Ensure fixings are appropriate for the mounting surface
- Screws provided may not be suitable