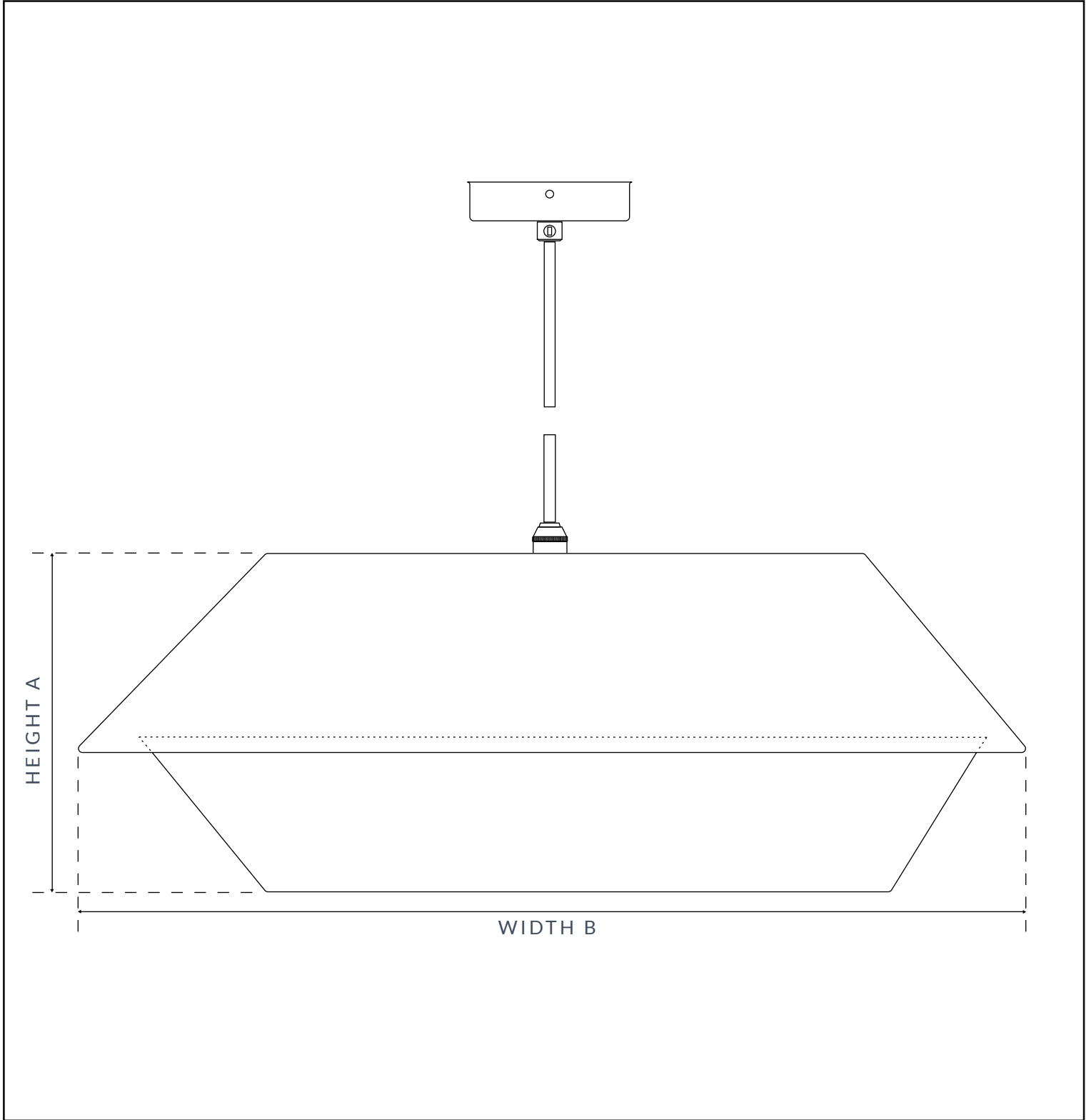


PRODUCT SPECIFICATION SHEET

JOYCE PENDANT LIGHT

SKU: 529



SPECIFICATION

MAX WATTAGE	IP RATING	VOLTAGE	CLASS	BATHROOM	LOCATION
12W	IP20	240V	CE CLASS1	ZONE3	INTERIOR
HEIGHT A	WIDTH B	CORD LENGTH	DIMMABLE	LAMPHOLDER	CEILING ROSE
175MM	480MM	100MM	YES	E27/26	85MM