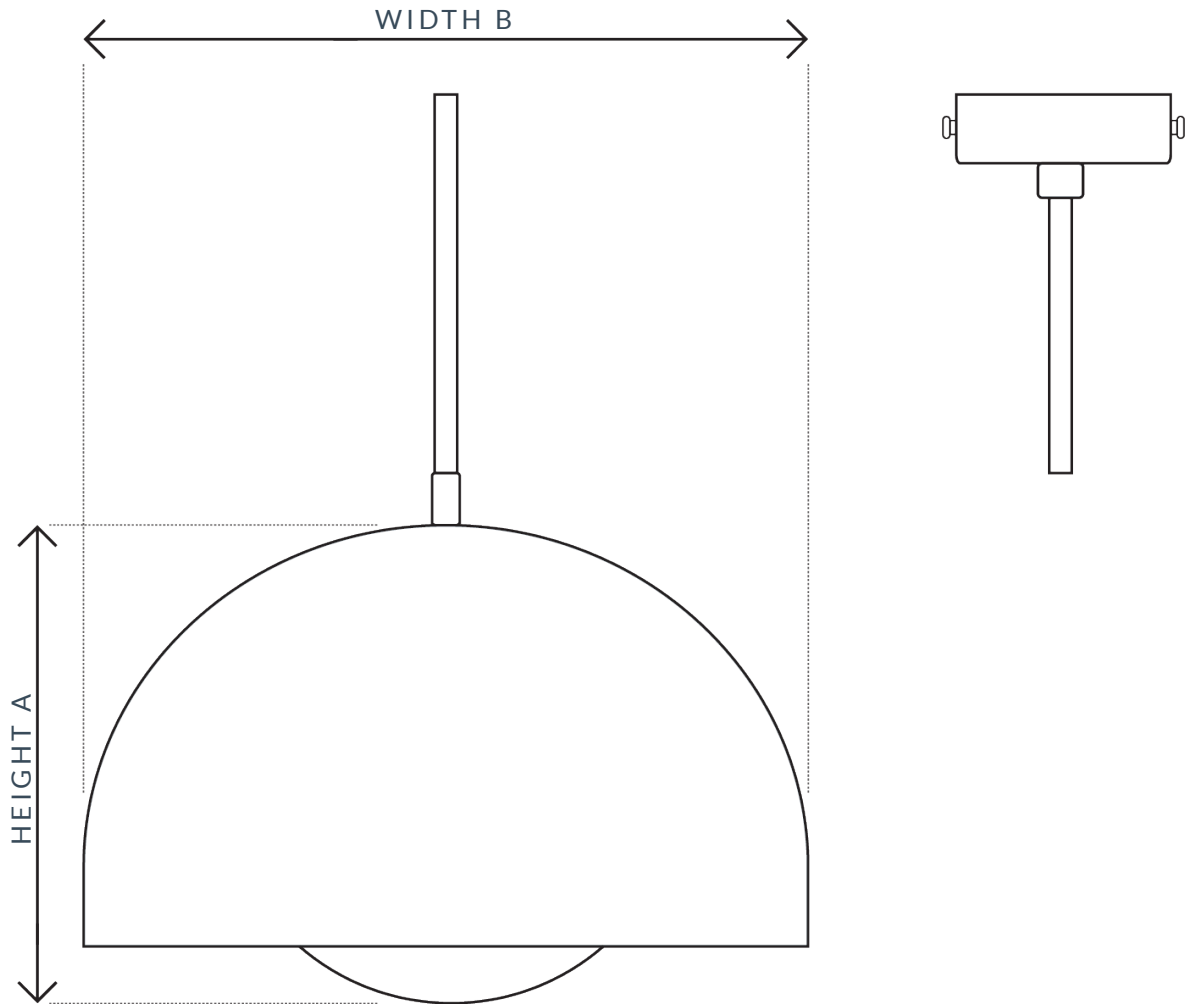




SKU: 511



**SPECIFICATION**

MAX WATTAGE	IP RATING	VOLTAGE	CLASS	BATHROOM	LOCATION
12W	IP20	240V	CE CLASS 1	ZONE 3	INTERIOR
HEIGHT A	WIDTH B	CORD LENGTH	DIMMABLE	LAMPHOLDER	CEILING ROSE
180MM	200MM	1 METER	YES	G9	85MM