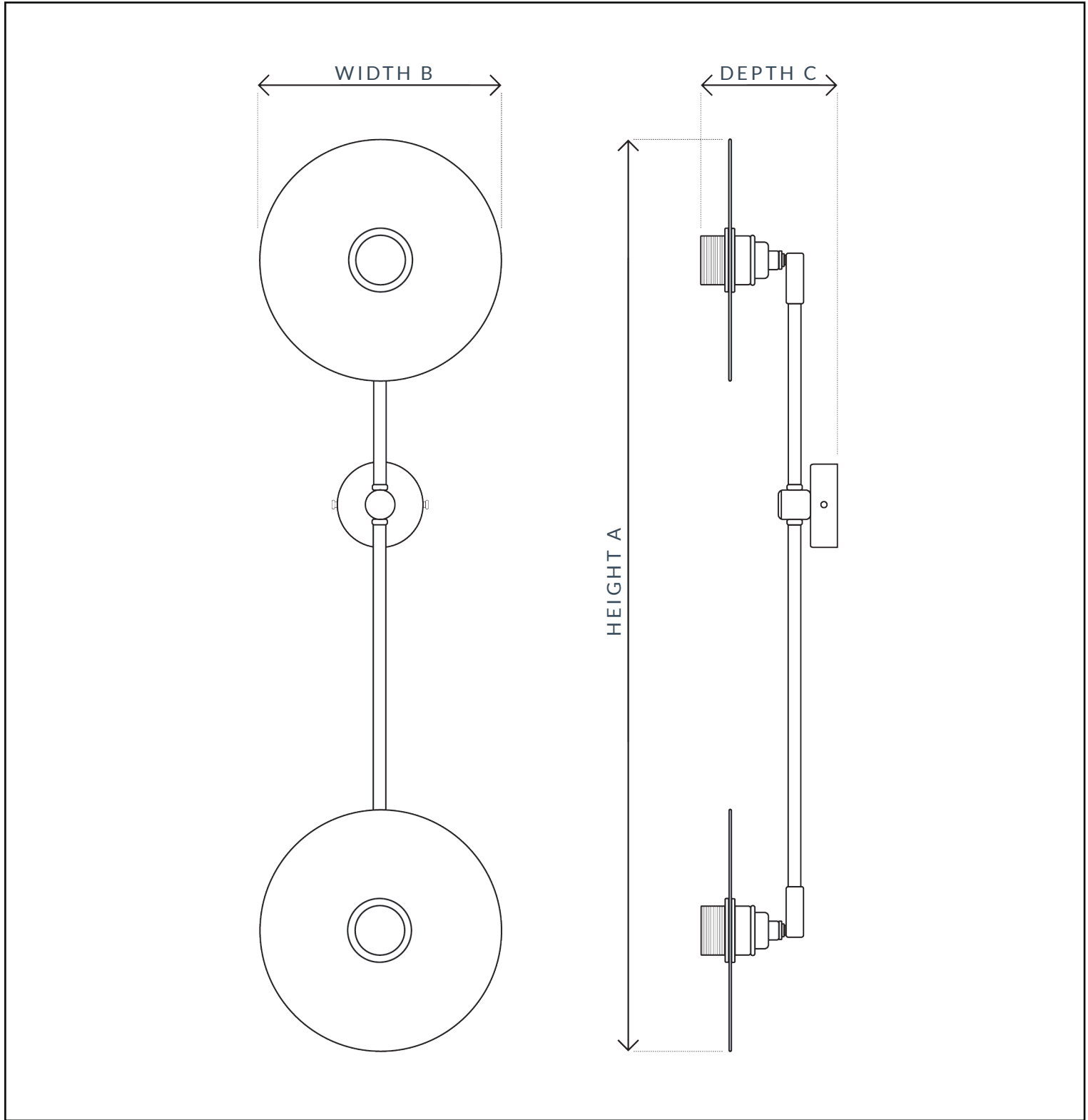


PRODUCT SPECIFICATION SHEET

RADIAL ADJUSTABLE DOUBLE ARM WALL LIGHT



SKU: 158



SPECIFICATION

MAX WATTAGE	CLASS	VOLTAGE	IP RATING	BATHROOM	LOCATION
12W	CE CLASS 1	240V	IP20	ZONE 3	INTERIOR
HEIGHT A	WIDTH B	DEPTH C	DIMMABLE	LAMPHOLDER	CEILING ROSE
870MM	200MM	75MM	YES	E27/E26	80MM