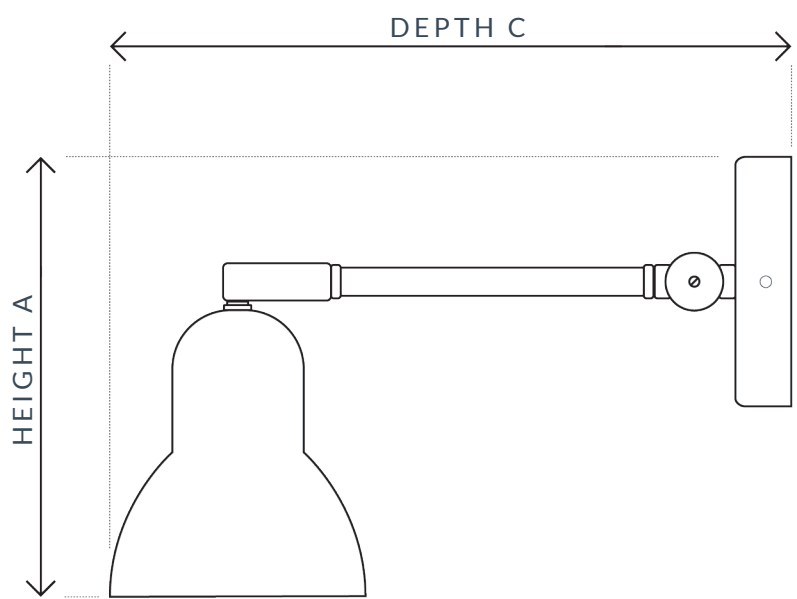
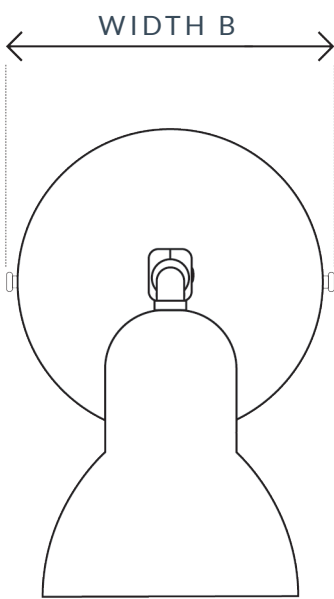


PRODUCT SPECIFICATION SHEET
INSPECTOR ADJUSTABLE WALL LIGHT



SKU: 128



SPECIFICATION

MAX WATTAGE	CLASS	VOLTAGE	IP RATING	BATHROOM	LOCATION
12W	CE CLASS 1	240V	IP20	ZONE 3	INTERIOR
HEIGHT A	WIDTH B	DEPTH C	DIMMABLE	LAMPHOLDER	CEILING ROSE
330MM	100MM	380MM	YES	E27/E26	100MM