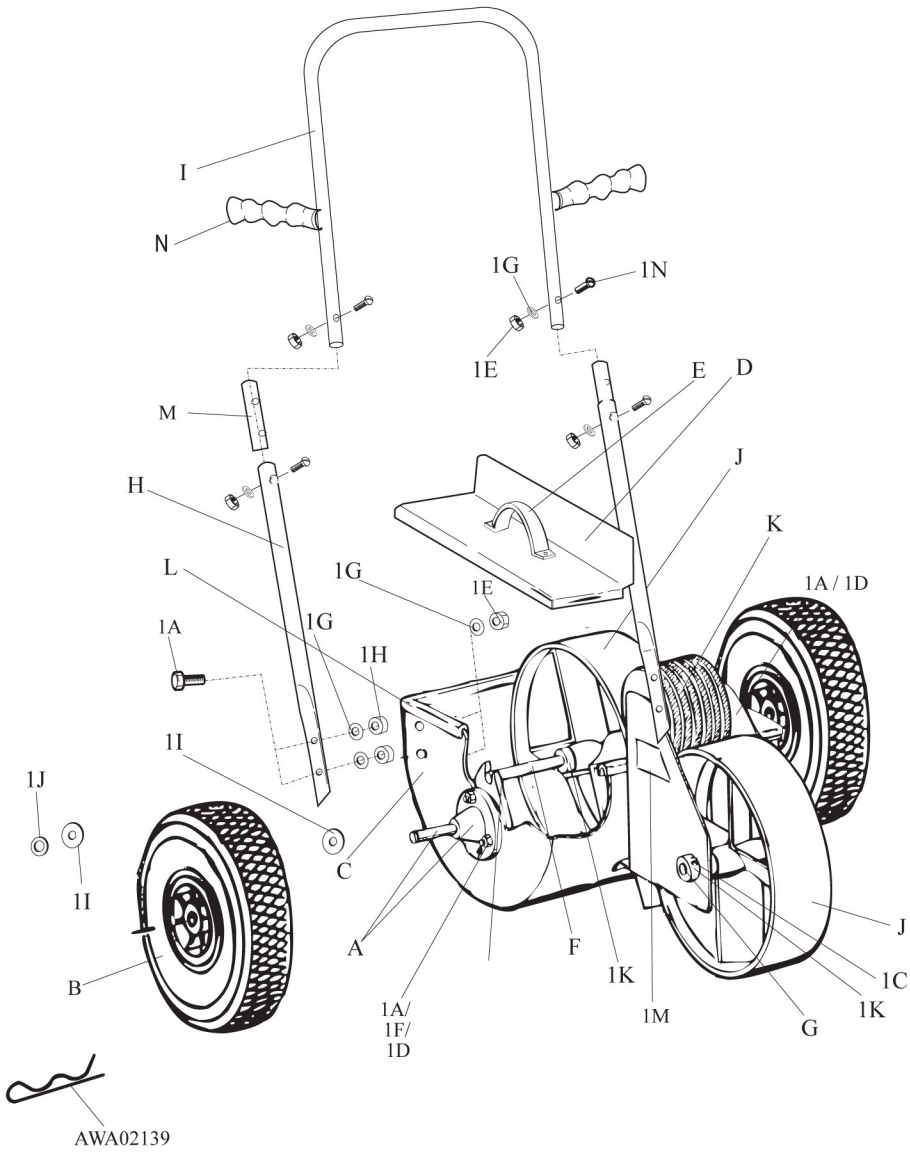




THE **TIM**



PARTS LIST



A	UNIVCOMP9016	Stub Axle
B	UNIVCOMP9093	Pneumatic Transport Wheel
C	TIMZCOMP0502	Tim tank
D	TIMZCOMP0503	Tim lid
E	UNIVCOMP9024	Lid Handle
F	UNIVCOMP9020	Pick Up Axle
G	UNIVCOMP9017	Marking Axle
H	UNIVCOMP9001	Handlebar Bottom Section
I	UNIVCOMP9021	Handlebar U Section
J	UNIVCOMP9018	Pick up / marking wheel 2 inch (machine)
K	UNIVCOMP9023	Transfer wheel 2 inch
L	UNIVCONS9008	Tank Seal
M	UNIVCOMP9022	Handle Bar Extensions Dowel
N	UNIVCOMP9013	Handlegrip
1A	UNIVCONS9013	1/4 bsw x 1 inch h/t hex set screws zinc
AWA00918	UNIVCONS9017	1/4bsw x11/4 inch round head slotted screw
1C	UNIVCONS9020	1/4bsw x 1/4 inch socket set grub screw
1D	UNIVCONS9025	1/4 inch bsw nut zinc
1E	UNIVCONS9026	1/4 inch bsw nyloc nut
1F	UNIVCONS9029	1/4 inch shakeproof washer zinc
1G	UNIVCONS9031	1/4id x 9/16 inch od x 20g plain washer zinc
1H	UNIVCONS9032	1/4id x 3/4 inch od x 16g plain washer zinc
1I	UNIVCONS9035	1 3/8od x 5/8 inch id x 16g washer
1J	UNIVCONS9053	16mm circlip
1K	UNIVCONS9040	41/64 inch collars
AWA00976	UNIVCONS9046	3/4 inch tap washer
1M	UNIVCONS9047	Transfer - fleet
1N	UNIVCONS9017	1/4bsw x11/4 inch round head slotted screw

THE TIM MARKER