



FASTLINER



OPERATIONS MANUAL

Fleet (Line Markers) Ltd

Tel: +44 (0) 1684 573535 Fax: +44 (0) 1684 892784
www.fleetlinemarkers.com sales@fleetlinemarkers.com

Fleet produced this folder in good faith and does not accept responsibility for any variation that may occur

FASTLINER OPERATIONS MANUAL

For you Fastliner vehicle to meet and exceed all your expectations, we have provided you with your own operation manual.

Our manual contains the setting up, operating and maintenance procedures, which should be carefully followed in order for you to get the most out of your machine.

We have also included some problem solving information and comprehensive spare parts lists. If you require any further information on your machine please call:

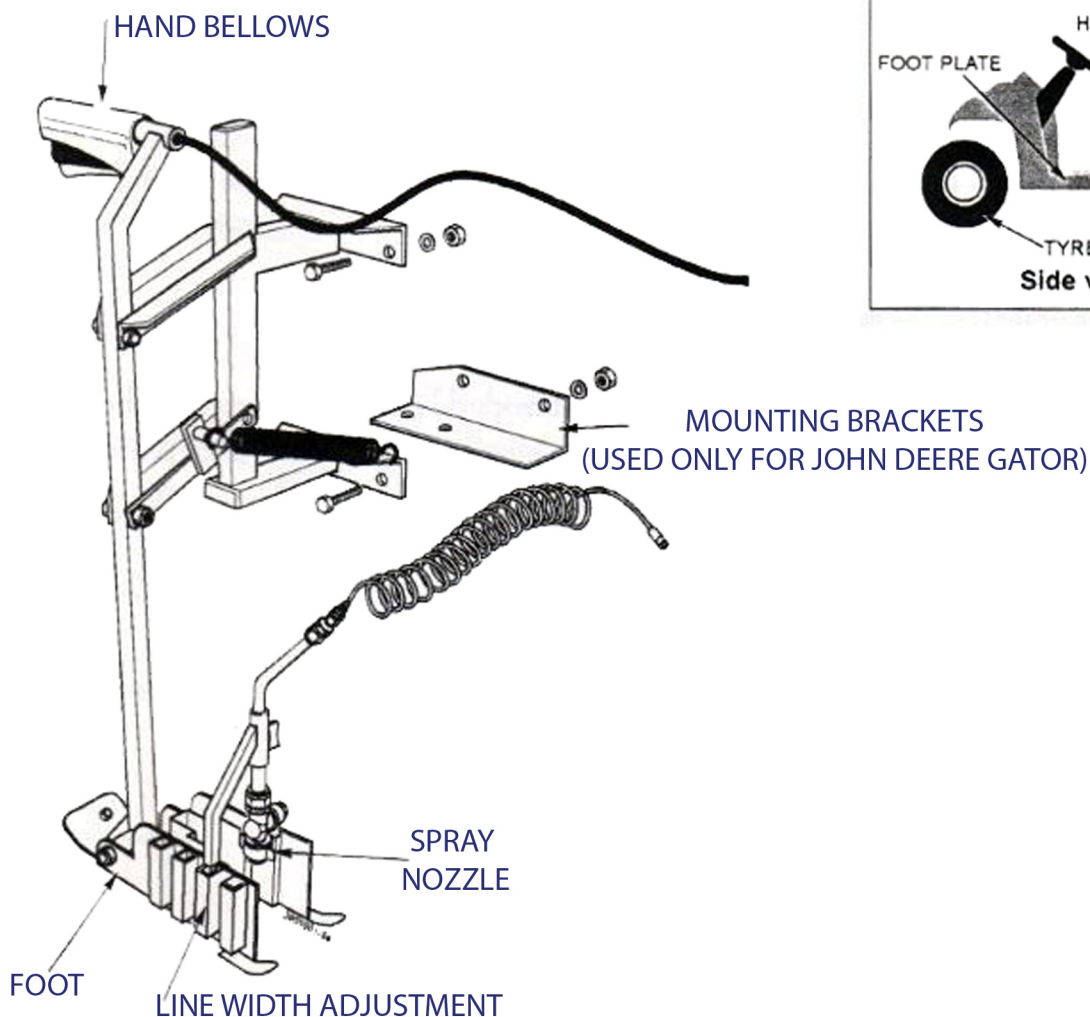
Fleet (Line Markers) Ltd
Fleet House,
Spring Lane,
Malvern,
Worcestershire
WR141AT,
England
Tel: +44 (0) 1684 573535
Fax: +44 (0) 1684 892784
www.fleetlinemarkers.com
sales@fleetlinemarkers.com

MOUNTING OF THE FASTLINER

The marking arm mounting bracket is the only permanent fixture of the Fastliner equipment. Careful attention to the correct fitting of this bracket should be made

- Place the mounting bracket onto the foot plate of your John Deere Gator clamp into position.
- Run straight edge across tyre side wall and adjust marking arm assembly to run parallel with it.
- Ensure marking arm assembly is in the upright position.
- Bolt chassis upright to the Gator handrail. NOTE: Handrail is a wide tolerance component (not always squarely aligned with Gator machine) Adjust gaps between chassis mounting bracket and chassis fixing brackets with spacers provided (if necessary).
- Drill holes in Gators footplate and fix all bolts 2XM8 to complete the fitting.

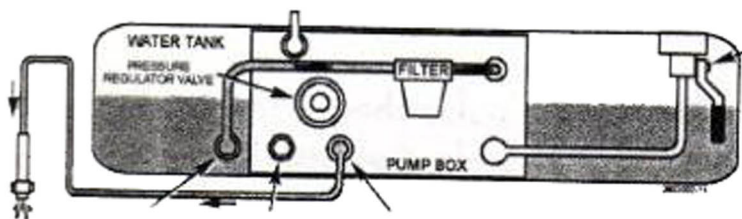
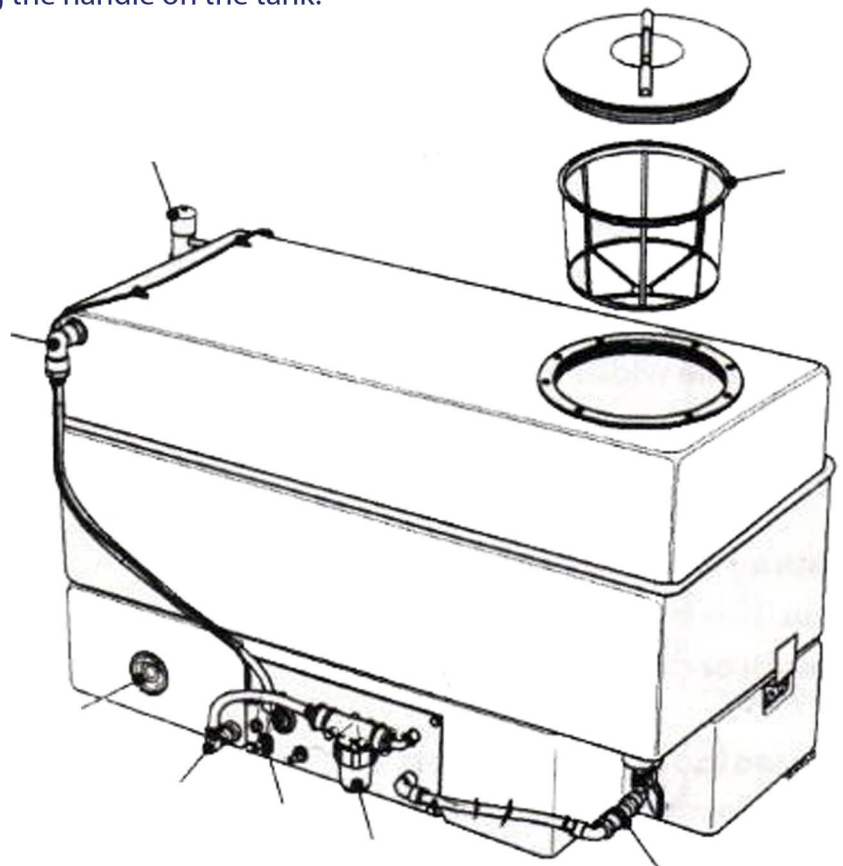
Note: The illustration is of John Deere Gator only. There are optional brackets available for further types of vehicles.



SETTING UP THE FASTLINER

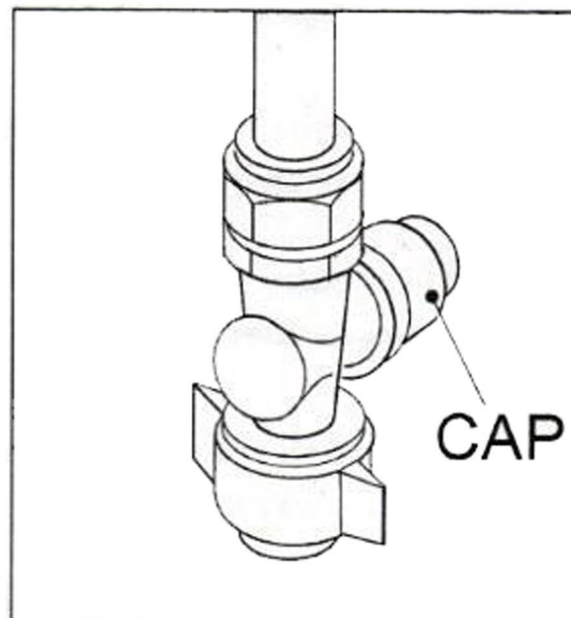
- Fill water tank unit by means of hose pipe. (A)
- Make sure the basket filter is in place (the filter locates onto the rim of the tank) (B)
- Fill tank with water to required level.
- Add Fastline liquid in order that the material is diluted 5:1 with water, i.e. for 75 litres of water add one 15 litre box of Fastline.
- Close lid of tank, ensuring it is tight.
- Turn tap to water or paint accordingly.
- Ensure return pipe is connected to the main tank.
- Agitate the liquid by pushing and pulling the handle on the tank.

The Fastliner is now ready for operation.



TO OPERATE THE FASTLINER

- Select a nozzle. A BLUE nozzle is recommended for a non-experienced Fastliner operator. A BROWN nozzle is recommended for an experienced Fastliner operator, travelling at 5-10 mph.
- Select line width required.
- To begin marking press the hand bellows
- If spray is not emitted, there is an airlock in the end of the arm. This is caused by running the machine when it is empty or dry. To remove the airlock: Loosen (do not remove) cap. Press operating button until liquid comes out. Tighten cap and replace nozzle holder in required line width location.
- If the spray pressure needs increasing, turn the adjusting control knob on the front of the stainless steel control box clockwise.
- If the paint starts to “pulse” there is too much pressure. Turn the knob anticlockwise until the pulsing stops.



MAINTENANCE OF THE FASTLINER

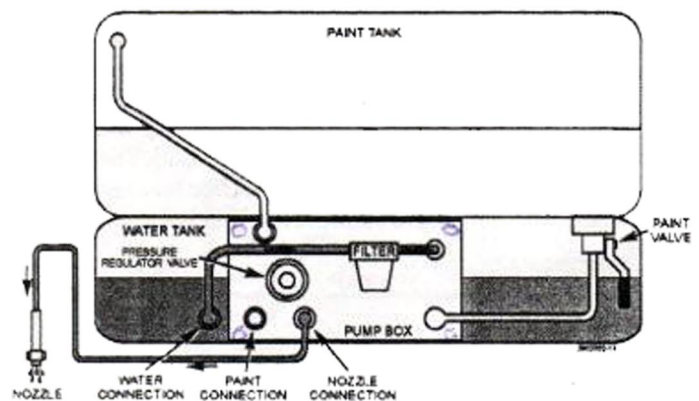
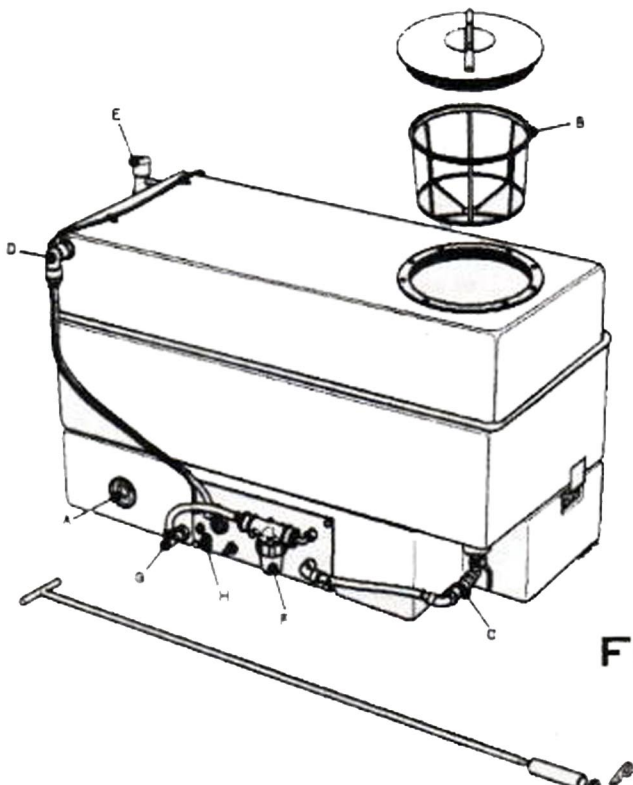
After every marking session

- Release hose from the main tank outlet.
- Unscrew in line filter
- Rinse in line filter mesh out with water until clean.
- Replace in line filter mesh ensuring O ring is facing down. Screw assembly back together.
- Spray paint back into tank or suitable area. Press operating button until clean water is sprayed.

NB: Everytime the system is flushed this will dilute paint in the main tank slightly therefore additional paint may be required.

The Fastliner is now clean and ready for the next use.

Every week repeat operations as above.

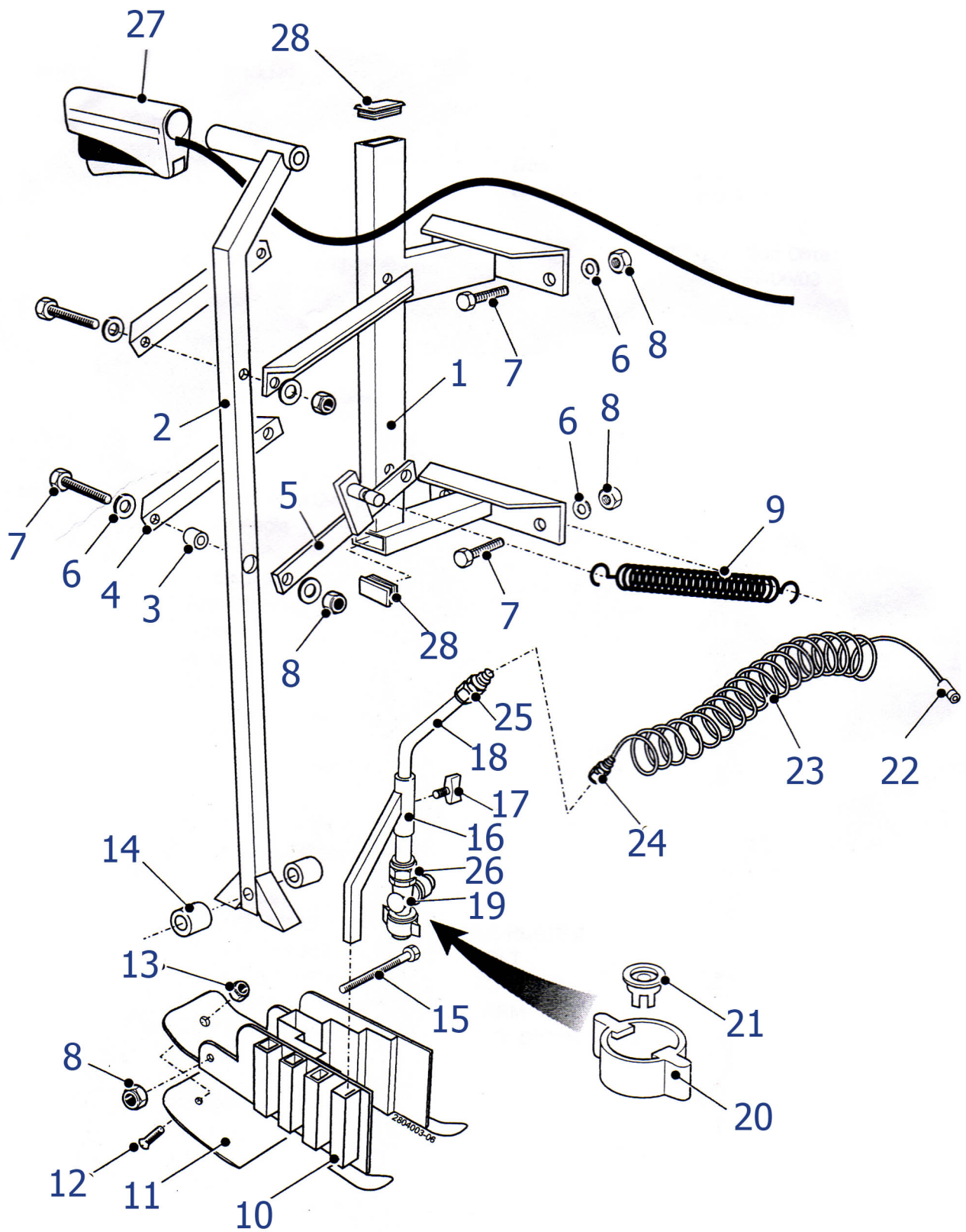


FLUSHING NOZZLE WITH WATER

SPARE PARTS - ARM ASSEMBLY

Num	Product Code	Description	Qty per	Price (each)
1	FASTCOMP2023	Chassis Upright	1	
2	FASTCOMP2024	Arm Kawasaki	1	
3	FASTCOMP2025	Plain Bush Oilon Nyl 00247 pt2	4	
4	FASTCOMP2026	Fastliner Pivot Angle	3	
5	FASTCOMP2027	Fastliner Pivot Flat	1	
6	UNIVCOMS9061	M10 s/s Plain Washer	8	
7	UNIVCOMS9060	M10 x 55 S/Steel Bolt	8	
8	UNIVCOMS9063	M10 S/S Nyloc Nut	8	
9	FASTCOMP2028	Spring Tension	1	
10	FASTCOMP2029	Fastliner Foot	1	
11	FASTCOMP2030	Fastliner Sole Plate/Skid	1	
12	UNIVCONS9051	M6 x 20mm Countersunk S/S Pozi	3	
13	UNIVCONS9067	M6 Nyloc Nut	3	
14	FASTCOMP2031	Shouldered Bush Oilon Nyl	2	
15	UNIVCONS9062	M10 x 130s/Steel Bolt	1	
16	FASTCOMP2032	Nozzle Holder Slide	1	
17	UNIVCOMP9009	MK11 M6 Thumb Screw	1	
18	FASTCOMP2033	Nozzle Holder Tube	1	
19	UNIVCOMP9010	MK11 DCV Nozzle Holder	1	
20	UNIVCOMP9012	MK11 Poly End Cap	1	
21	FASTCOMP2034	Brown Nozzle Tip	1	
22	UNIVCOMP9041	8mm x 6mm x 3/8 Male Tube Fitting	1	
23	UNIVCOMP9008	MK11 Coiled Hose Blue	1	
24	UNIVCOMP9042	8mm x 6mm x Tube Coupling	1	
25	UNIVCOMP9043	1/2 x 3/8 BSP F Wade Coupling	1	
26	FASTCOMP2106	Male Stud 1/2 od x 3/8	1	
27	FASTCOMP2107	Hand Bellows	1	
28	FASTCOMP2166	Kombi Mk1 Ribbed Black Insert	2	
41	FASTCOMP2002	Fastliner Arm Catch	1	
42	UNIVCONS9064	1/2 BSW x 3 Hex head Screw	1	
43	UNIVCONS9079	M8 x 55mm Bolt	1	

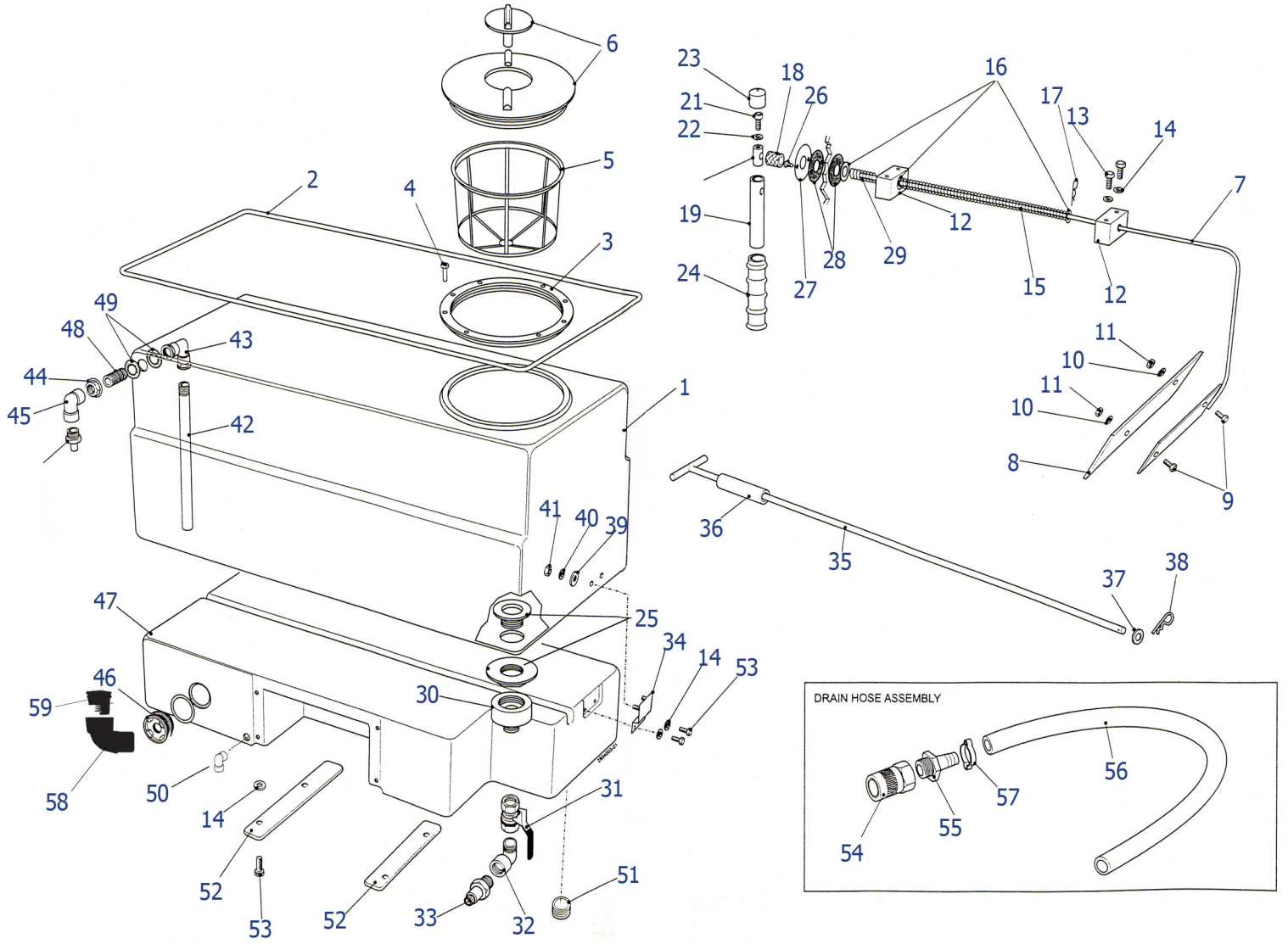
ARM ASSEMBLY



SPARE PARTS - TANK ASSEMBLY

Num	Product Code	Description	Qty per	Price (Per Item)
1	FASTCOMP2043	Fastliner Tank	1	
2	FASTCOMP2080	Fastliner Tank Band	1	
3	FASTCOMP2085	Neck Ring	1	
4	UNIVCONS9055	Rivet 3.2 x 20mm	8	
5	FASTCOMP2044	Basket Filter 302 x 240	1	
6	FASTCOMP2086	Fastliner Tank Lid Smoothline	1	
7	FASTCOMP2046	S/S 1/2 Inch Scraper Rod	1	
8	FASTCOMP2045	Agitator Scraper Blade	1	
9	UNIVCONS9075	M12mm x 35mm S/S Screw	2	
10	UNIVCONS9072	1/2 S/S Washers	2	
11	UNIVCONS9076	M12 Nyloc Nut Stainless Steel	2	
12	FASTCOMP2050	Scraper Rod Guide Block	2	
13	UNIVCONS9014	1/4 BSW x1 1/4 H/T Hex Screw	4	
14	UNIVCONS9031	1/4 id x 9/16 od x 20 Washer	2	
15	FASTCOMP2048	Spring - Scraper	1	
16	FASTCOMP2049	S/S 13mm Flat Washer - Scraper	6	
17	FASTCOMP2047	R Clip 2.5mm S/S	1	
18	FASTCOMP2051	Spacer (Scraper Arm)	1	
19	FASTCOMP2084	Handle Fastliner	1	
20			1	
21	UNIVCONS9078	M8 x 25 Hex Head Screw	1	
22	UNIVCONS9033	5/16 ID X 3/4 OD X 18G Washer	1	
23	UNIVCOMP9034	Frame End Cap	1	
24	UNIVCONS9013	MK11 Rubber Grib		
25	FASTCOMP2053	Shower Waste 1 1/2 Long/Solid Inc Rubber Gasket	1	
26	UNIVCONS9070	No 8 x 1/2 inch Pan Pozi Screw	2	
27	FASTCOMP2099	Metal Sealing Disc	1	
28	FASTCOMP2100	Rubber Sealing Washer	2	
29	FASTCOMP2101	Spring 110mm	1	
30	FASTCOMP2054	1 1/2 x 1/2 BSPM Nyl. Reducer	1	
31	FASTCOMP2083	1/2 inch Ball Valve	1	
32	FASTCOMP2068	Equal Elbow 90 1/2 M/F	1	
33	FASTCOMP2056	1/2 inch Male Plug	1	
34	FASTCOMP2087	16 Steel Studded Crank brack	5	
35	FASTCOMP2090	T Bar	1	
36	FASTCOMP2091	Spacer For T Bar	1	
37	UNIVCONS9035	13/8 od x 5/8 Washer	1	
38	UNIVCONS9094	R Clip 3mm	1	
39	UNIVCONS9046	3/4 Inch Tap Washer	1	
40	UNIVCONS9050	M8 Washer	1	
41	UNIVCONS9049	M8 Nyloc Nut Sainless Steel	1	
42	FASTCOMP2088	Pipe 1/2 inch BSP PVC Thread	1	
43	FASTCOMP2089	Elbow 90 1/2 BSP PVC Theaded	1	
44	FASTCOMP2094	1/2 inch BSP PVC Blcknut	1	
45	FASTCOMP2055	Equal Elbow 90 F/F 1/2	1	

TANK ASSEMBLY



SPARE PARTS - PUMPBOX ASSEMBLY

Num	Product Code	Description	Qty per	Price (Per Item)
1	UNIVCOMP9004	1/4 inch Swivel Elbow	3	
2	FASTCOMP2072	Base Plate Pump S/S	1	
3	FASTCOMP2058	12VDC - Viton Bypass Pump	1	
4	FASTCOMP2074	Elbow 90 Degree Wing Nut	2	
5	UNIVCOMS9037	15 - 18mm (5/8 inch) O - Clip	8	
6	FASTCOMP2156	0 Clips 13 - 15 inch	2	
7	FASTCOMP2063	1/2 inch Clea Braided Horse	1.5	
8	UNIVCOMP9002	MK1 3/8 Clear Braided Hose	0.6	
9	FASTCOMP2076	Hosetail x Swiv Nut 3/8 x 1/2	1	
10	UNIVCOMP9014	MK11 Male Equal Tee 3/8	1	
11	FASTCOMP2073	Female Equal Elbow 90 3/8 inch	1	
12	UNIVCOMP9003	MK1 1/4 BSP Male Plug	1	
13	FASTCOMP2075	Brass Needle Valve 3/8 F/F	1	
14	FASTCOMP2078	Equal Elbow 90 3/9 inch M/F	1	
15	UNIVCOMP9037	1/8 BSP Equal Elbow M/F	1	
16	FASTCOMP2155	1/8 BSP Male x 10mm Hosetail	1	
17	FASTCOMP2065	10mm Hosetail Coupling Non Val	1	
18	FASTCOMP2071	Filter Pressure Line 1/2 inch	1	
19	UNIVCONS9064	1/4 BSW x 3 Hex Head Screw	2	
20	UNIVCONS9031	1/2id x 9/16 od x 20g PI Wash	2	
21	UNIVCONS9027	M6 Nut	2	
22	FASTCOMP2070	Hosetail Elbow 90 Nylon 1 inch	1	
23	FASTCOMP2077	1/2 x 1/4 Bulkhead Fitting	1	
24	FASTCOMP2061	Paralled Male Hosetail 1/4	1	
25	FASTCOMP2067	Parellel Male Hosetail 1/2	3	
26	FASTCOMP2055	Equal Elbow 90 F/F 1/2	1	
27	FASTCOMP2068	Equal Elbow 90 1/2 M/F	1	
28	FASTCOM2069	1/2 BSP coupling Female	1	
29	FASTCOMP2079	Air Switch (back Entry)	1	
30	FASTCOMP2077	Grommet 8mm	1	
31	FASTCOMP2098	Cable 2 Core 2x28/030	2	
32	FASTCOMP2-42	Plug	1	
33	UNIVCONS9059	Male & Female Spade Blue	1	
34	UNIVCOMP9035	Cable Tie 4 inch	10	
35	KOMBCOMP1046	1/4 inch BSP Male Coupling	1	
36	UNIVCOMP9006	Kk11 1/4 inch Elbow F/F	1	
37	KOMBCOMP1047	MK11 8x 6 x 1/4 Parallel Stud	1	
38	UNIVCOMP9005	MK11 1m PVC Tube 8mm od x 5mm	2	
39	FASTCOMP2108	8 X6 Panel mount mount tube con	1	
40	FASTCOMP2107	Hand Bellows	1	
41	FASTCOMP2110	Valve 1/2 x 1/2 x 1/2 (Paint/Water)	1	
42	UNIVCOMP9004	1/4 Inch Swivel Elbow	2	
43	FASTCOMP2095	Socket	1	
44	FASTCOMP2096	In Line Fuse Holder	1	

PUMPBOX ASSEMBLY

