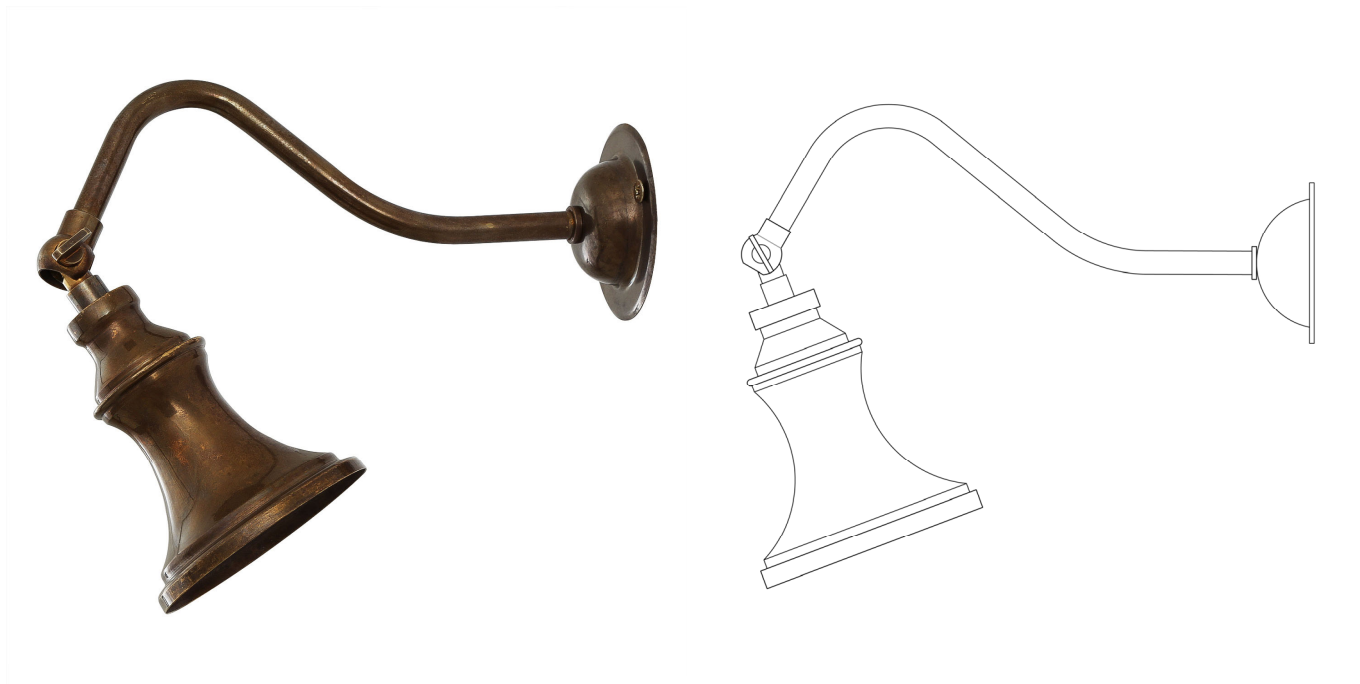


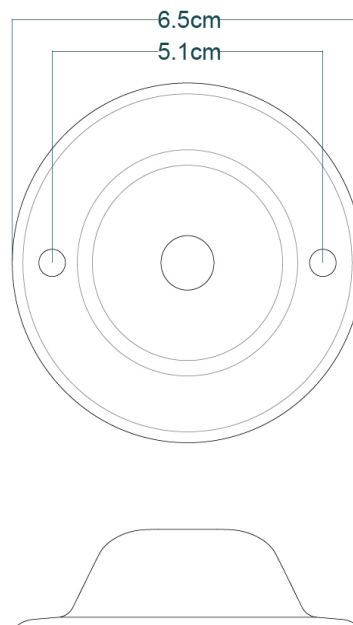
# KENT Wall Light

MLWL179ANTBRS    Antique Brass



MATERIAL	Brass
HEIGHT	18cm   7.09"
WIDTH   DIAMETER	8cm   3.15"
LENGTH   PROJECTION	20-31cm   7.87-12.2"
WEIGHT	0.22KG   0.49lbs
LAMPHOLDER	GU10 x 1
MAX WATTAGE	6.5W x 1
VOLTAGE	220/240v
IP RATING	20
CLASS PROTECTION	I
SHADE	-
FLEX   BAR   CHAIN LENGT	n/a
CABLE TYPE	-

Fixing Bracket MLWB04 | Antique Brass

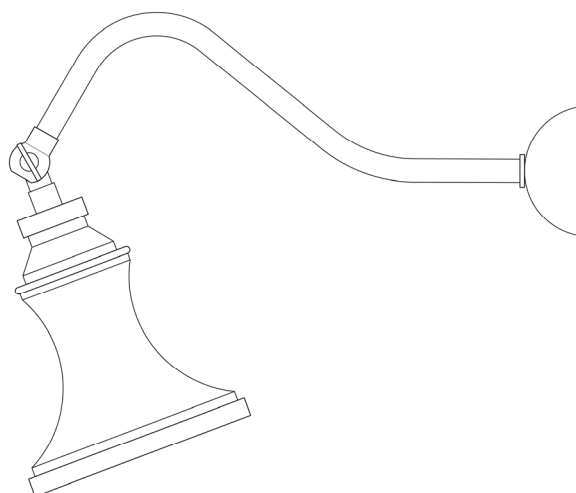


Product Notes:

1) Lamps not included with light fixture. 2) All products are individually hand crafted, therefore may differ slightly within manufacturing tolerances. 3) Please refer to: <http://www.mullanlighting.com/terms> for full list of Terms & Conditions. 4) Cable/Chain can be shortened during installation. 5) Longer Cable/Chain available on request. 6) Additional colour finishes available on request. 7.) Dimensions do not include lamps. 8.) Products wired to UL standards will operate at 110/120v with the appropriate lampholders.

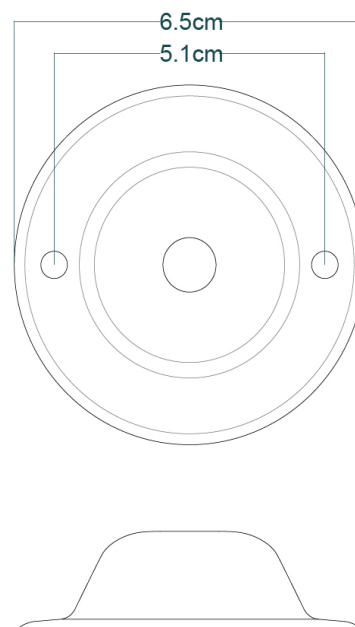
# KENT Wall Light

MLWL179ANTSLV Antique Silver



MATERIAL	Brass
HEIGHT	18cm   7.09"
WIDTH   DIAMETER	8cm   3.15"
LENGTH   PROJECTION	20-31cm   7.87-12.2"
WEIGHT	0.22KG   0.49lbs
LAMPHOLDER	GU10 x 1
MAX WATTAGE	6.5W x 1
VOLTAGE	220/240v
IP RATING	20
CLASS PROTECTION	I
SHADE	-
FLEX   BAR   CHAIN LENGT	n/a
CABLE TYPE	-

Fixing Bracket MLWB04 | Antique Silver

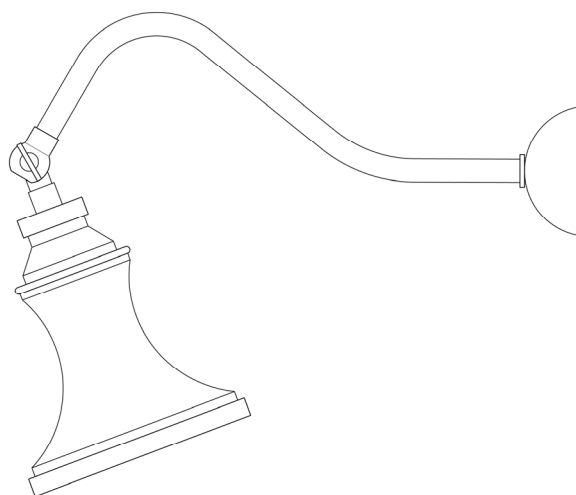


Product Notes:

1) Lamps not included with light fixture. 2) All products are individually hand crafted, therefore may differ slightly within manufacturing tolerances. 3) Please refer to: <http://www.mullanlighting.com/terms> for full list of Terms & Conditions. 4) Cable/Chain can be shortened during installation. 5) Longer Cable/Chain available on request. 6) Additional colour finishes available on request. 7.) Dimensions do not include lamps. 8.) Products wired to UL standards will operate at 110/120v with the appropriate lampholders.

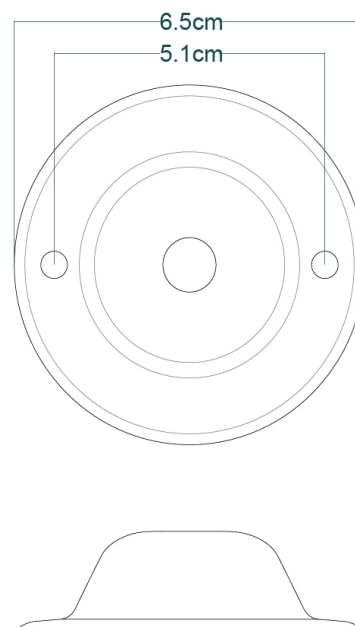
# KENT Wall Light

MLWL179PCBLK Black



MATERIAL	Brass
HEIGHT	18cm   7.09"
WIDTH   DIAMETER	8cm   3.15"
LENGTH   PROJECTION	20-31cm   7.87-12.2"
WEIGHT	0.22KG   0.49lbs
LAMPHOLDER	GU10 x 1
MAX WATTAGE	6.5W x 1
VOLTAGE	220/240v
IP RATING	20
CLASS PROTECTION	I
SHADE	-
FLEX   BAR   CHAIN LENGT	n/a
CABLE TYPE	-

Fixing Bracket MLWB04 | Black

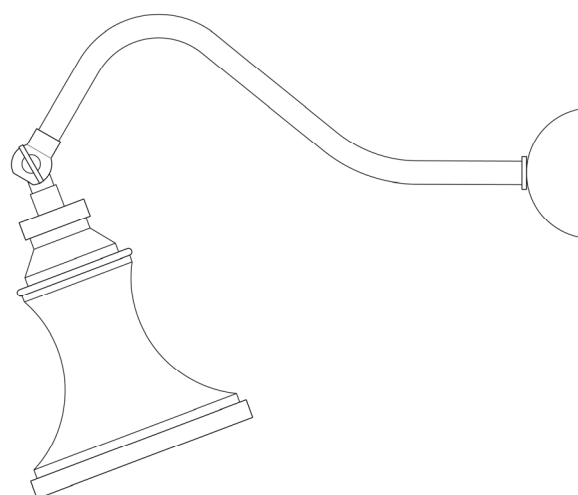


Product Notes:

1) Lamps not included with light fixture. 2) All products are individually hand crafted, therefore may differ slightly within manufacturing tolerances. 3) Please refer to: <http://www.mullanlighting.com/terms> for full list of Terms & Conditions. 4) Cable/Chain can be shortened during installation. 5) Longer Cable/Chain available on request. 6) Additional colour finishes available on request. 7.) Dimensions do not include lamps. 8.) Products wired to UL standards will operate at 110/120v with the appropriate lampholders.

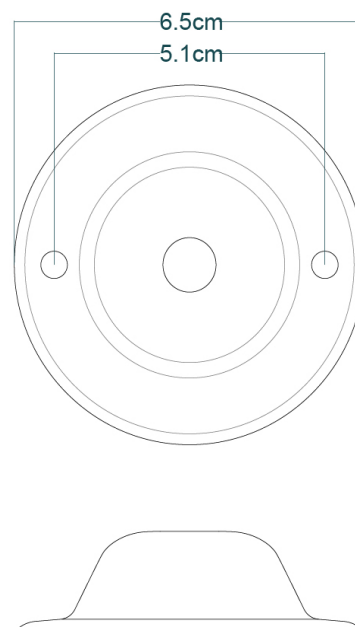
# KENT Wall Light

MLWL179POLBRS Polished Brass



MATERIAL	Brass
HEIGHT	18cm   7.09"
WIDTH   DIAMETER	8cm   3.15"
LENGTH   PROJECTION	20-31cm   7.87-12.2"
WEIGHT	0.22KG   0.49lbs
LAMPHOLDER	GU10 x 1
MAX WATTAGE	6.5W x 1
VOLTAGE	220/240v
IP RATING	20
CLASS PROTECTION	I
SHADE	-
FLEX   BAR   CHAIN LENGT	n/a
CABLE TYPE	-

Fixing Bracket MLWB04 | Polished Brass

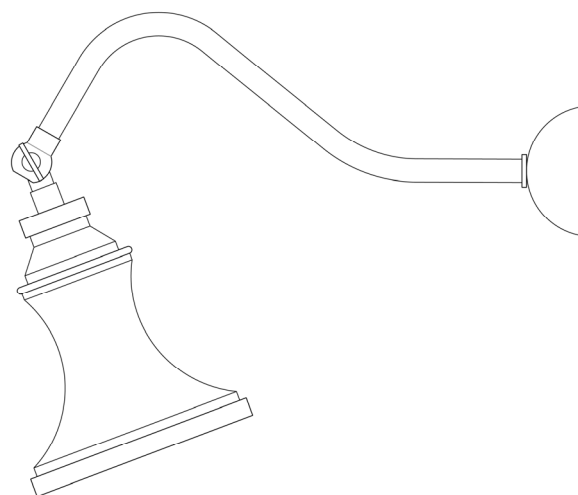


Product Notes:

1) Lamps not included with light fixture. 2) All products are individually hand crafted, therefore may differ slightly within manufacturing tolerances. 3) Please refer to: <http://www.mullanlighting.com/terms> for full list of Terms & Conditions. 4) Cable/Chain can be shortened during installation. 5) Longer Cable/Chain available on request. 6) Additional colour finishes available on request. 7.) Dimensions do not include lamps. 8.) Products wired to UL standards will operate at 110/120v with the appropriate lampholders.

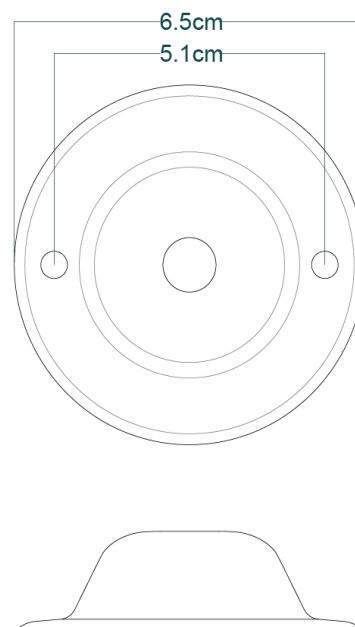
# KENT Wall Light

MLWL179SATBRS Satin Brass



MATERIAL	Brass
HEIGHT	18cm   7.09"
WIDTH   DIAMETER	8cm   3.15"
LENGTH   PROJECTION	20-31cm   7.87-12.2"
WEIGHT	0.22KG   0.49lbs
LAMPHOLDER	GU10 x 1
MAX WATTAGE	6.5W x 1
VOLTAGE	220/240v
IP RATING	20
CLASS PROTECTION	I
SHADE	-
FLEX   BAR   CHAIN LENGT	n/a
CABLE TYPE	-

Fixing Bracket MLWB04 | Satin Brass



Product Notes:

1) Lamps not included with light fixture. 2) All products are individually hand crafted, therefore may differ slightly within manufacturing tolerances. 3) Please refer to: <http://www.mullanlighting.com/terms> for full list of Terms & Conditions. 4) Cable/Chain can be shortened during installation. 5) Longer Cable/Chain available on request. 6) Additional colour finishes available on request. 7.) Dimensions do not include lamps. 8.) Products wired to UL standards will operate at 110/120v with the appropriate lampholders.