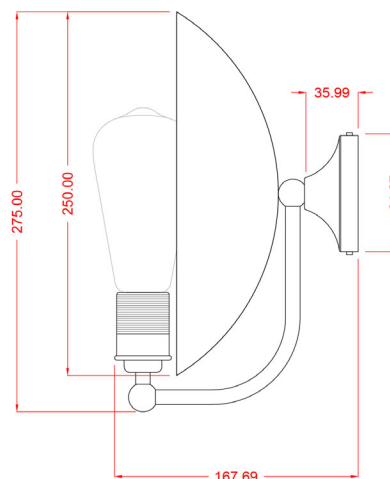


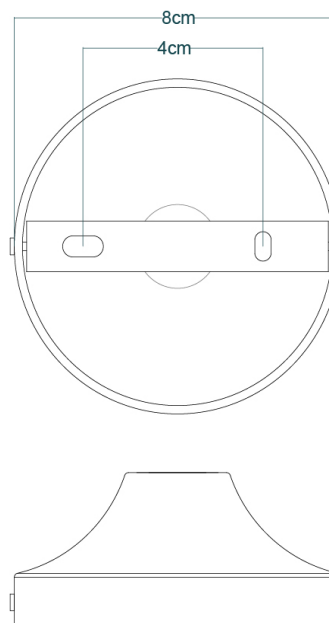
# CHULAINN Wall Light

MLWL178ANTBRS Antique Brass



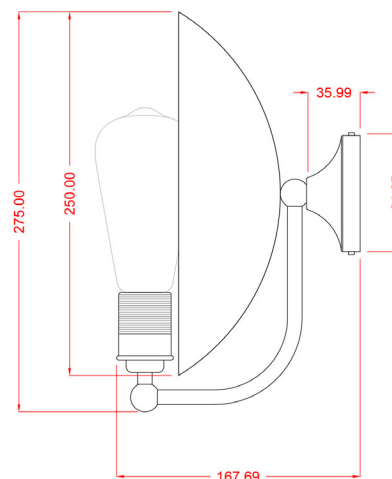
MATERIAL	Brass
HEIGHT	28cm   11.02"
WIDTH   DIAMETER	25cm   9.84"
LENGTH   PROJECTION	15cm   5.91"
WEIGHT	1.49KG   3.28lbs
LAMPHOLDER	E27 x 1
MAX WATTAGE	60W x 1
VOLTAGE	220/240v
IP RATING	20
CLASS PROTECTION	I
SHADE	-
FLEX   BAR   CHAIN LENGT	n/a
CABLE TYPE	-

Fixing Bracket MLWB03 | Antique Brass



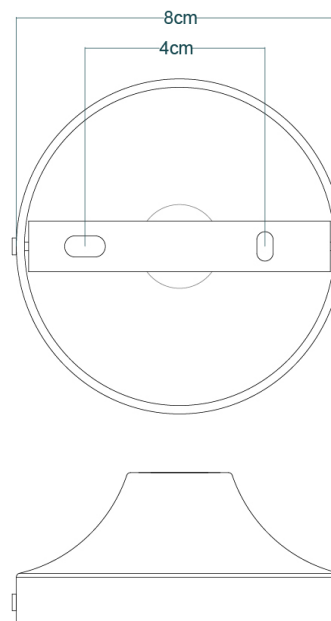
# CHULAINN Wall Light

MLWL178ANTSLV Antique Silver



MATERIAL	Brass
HEIGHT	28cm   11.02"
WIDTH   DIAMETER	25cm   9.84"
LENGTH   PROJECTION	15cm   5.91"
WEIGHT	1.49KG   3.28lbs
LAMPHOLDER	E27 x 1
MAX WATTAGE	60W x 1
VOLTAGE	220/240v
IP RATING	20
CLASS PROTECTION	I
SHADE	-
FLEX   BAR   CHAIN LENGT	n/a
CABLE TYPE	-

Fixing Bracket MLWB03 | Antique Silver

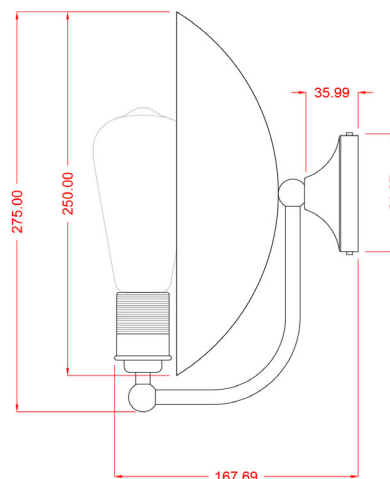


Product Notes:

1) Lamps not included with light fixture. 2) All products are individually hand crafted, therefore may differ slightly within manufacturing tolerances. 3) Please refer to: <http://www.mullanlighting.com/terms> for full list of Terms & Conditions. 4) Cable/Chain can be shortened during installation. 5) Longer Cable/Chain available on request. 6) Additional colour finishes available on request. 7.) Dimensions do not include lamps. 8.) Products wired to UL standards will operate at 110/120v with the appropriate lampholders.

# CHULAINN Wall Light

MLWL178SATBRS Satin Brass



MATERIAL	Brass
HEIGHT	28cm   11.02"
WIDTH   DIAMETER	25cm   9.84"
LENGTH   PROJECTION	15cm   5.91"
WEIGHT	1.49KG   3.28lbs
LAMPHOLDER	E27 x 1
MAX WATTAGE	60W x 1
VOLTAGE	220/240v
IP RATING	20
CLASS PROTECTION	I
SHADE	-
FLEX   BAR   CHAIN LENGT	n/a
CABLE TYPE	-

Fixing Bracket MLWB03 | Satin Brass

