

UG515DSL-1

Family	Professional dishwasher
Subfamily	Undercounter Glasswasher
Serie	Easyline
Basket dimensions	500x500 mm
Power connection	400 V 3N~ / 12 A / 6,7 kW / 50 Hz
Width	600 mm
Depth	600 mm
Height	720 mm
Depth with open door	925 mm
Usable load height	307 mm
Maximum dishes diameter	300 mm



Target

Solutions	Coffee shops/Wine bars
-----------	------------------------

Aesthetics

Control panel	electronic	Led color	Green
---------------	------------	-----------	-------

Functions



Functionality	Triple filter; HTR; Door clearance 307mm
---------------	--

Programs

Programs

Boiler 71°C/Tank 60°C - 1'20"	Boiler 85°C/Tank 60°C - 1'10"	Boiler 85°C/Tank 60°C - 2'
Boiler 85°C/Tank 60°C - 3'	Boiler 71°C/Tank 60°C - 2'10"	Boiler 85°C/Tank 60°C - 4'10"
Drain and self cleaning cycle	Yes	
Maximum basket/hour	40	
Maximum dishes/hour	1080	

Interface

Panel	Easyline	Rinse aid missing alert	Yes
Display	8 digit	Detergent missing alert	Yes
Number of buttons	5	Cycle progress alert	Yes
On/Off button	Yes	End-cycle alert	Yes
Salt alert	Yes	Manual diagnostic	Yes

Construction

Tank	Deep drawn	Door gasket	On 3 sides
Tank	Double wall	Rack guides	Embossed
Tank material	Stainless steel AISI 304	Tank capacity	11 l
Back panel	Galvanized	Boiler capacity	6 l
Door	Double wall	Noise	Lpa 56,5 dBA
Balanced door	Yes	Protection class	IPX4
Tank filter	Stainless steel	Net weight	59.000 kg
Washing spray arm	2 in stainless steel	Adjustable feet	15 mm
Rinse spray arm	2 in stainless steel	Drain max. height	600 mm

Consumption and connections

Tank heating element	2000 W	Water cycle consumption	2,3 l
Boiler heating element	6000 W	Warm water connection	Cold 15°C
Washing pump	290 W	Max temperature inlet water	60°C
Default connection	4800 W	Max water hardness	54°FH - 30°dH
Optional electrical connection	230 V 3~ / 21 A / 7,3 kW / 50 Hz; 230 V~ / 15 A / 3,4 kW / 50 Hz (NC); 230 V~ / 20 A / 4,5 kW / 50 Hz (NC); 230 V~ / 22 A / 5,0 kW / 50 Hz	Inlet pressure	100-600 kPa

Electrical Connection

Plug	Not present
-------------	-------------

Manuals and Certifications

Certificate	CE
--------------------	----

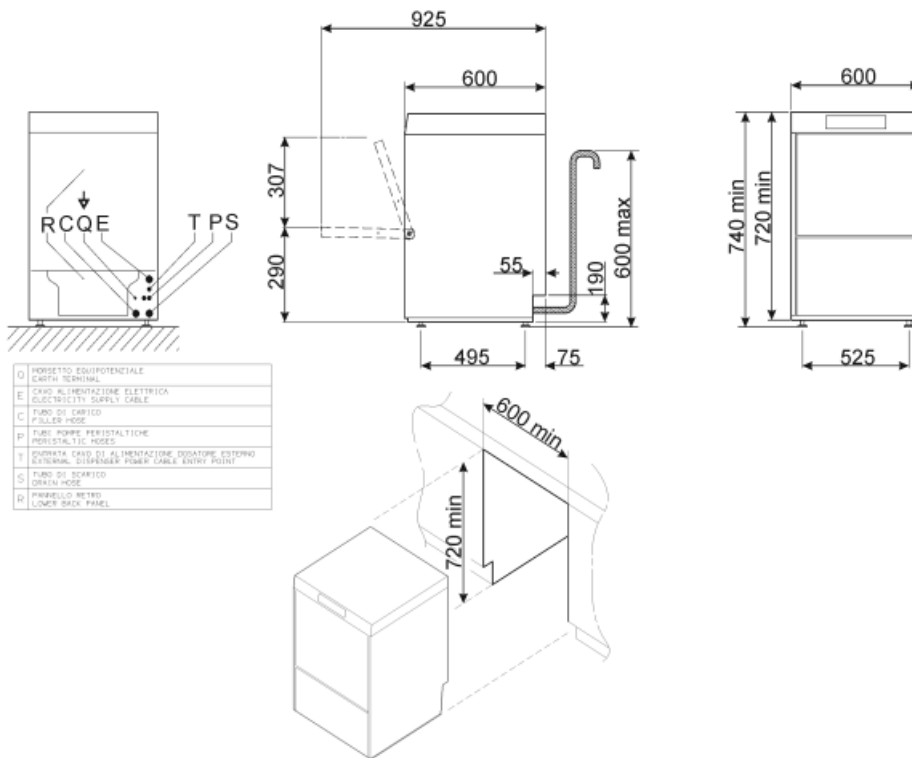
Equipments

Peristaltic detergent doser	Electronic control	Boiler thermostop	Yes default ON
Detergent (red) hose lenght	2,2m	Cycle counter	Yes
		Drain pump with 3 stage filter system	Yes

Automatic incorporated softener	Yes	Rinse pump H.T.R. system	Yes
Peristaltic rinse-aid doser	Electronic control	Partial renewal of water in the tank and built-in drain pump	Yes
Detergent load	1,5 l/h	Water supply pipe diameter	DN15 - ½"
Rinse aid (blue) hose length	2,2m	Drain supply pipe diameter	DN20-G 3/4"
Rinse load	0,4 l/h	Automatic start	Yes, default OFF
Soft Start	Yes		

Accessories Included

Flat basket	1x WB50G02	Drain hose	Yes - 2m
Water supply hose	Yes - 1,5m		



Not included accessories



PHOOS01

Polypropylene single basket for cutlery



PHOOS02

6 compartments polypropylene basket for cutlery



WH00S01

Wire insert for 12 small dishes



WH00C01

Wire insert for cups



PB50D01

Polypropylene basket for 18 plates,
500x500x105 mm



KITSONLIV

Probe level kit for double wall models



WS5

Underframe for glasswashers 500mm

Symbols glossary (TT)



HTR RINSING SYSTEM



PARTIAL DRAIN SYSTEM+



MAX.USABLE HEIGHT 307mm