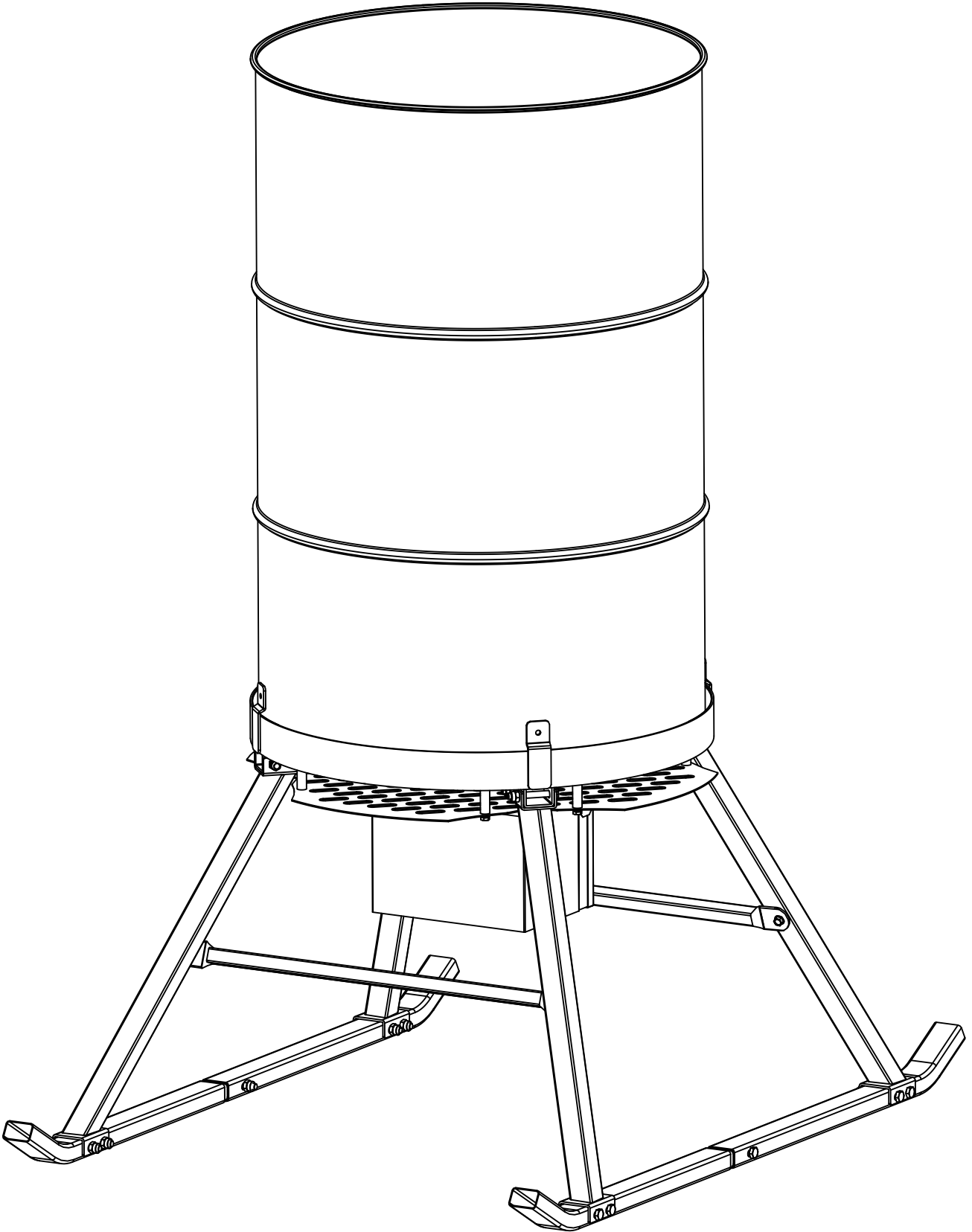


BARREL STUBBY KIT



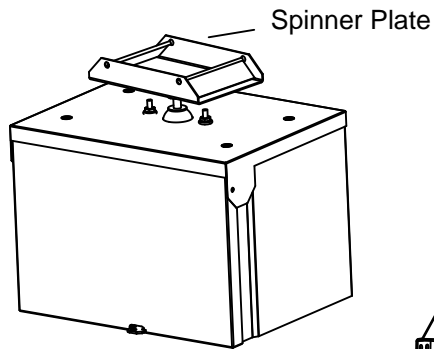
SPARE PARTS



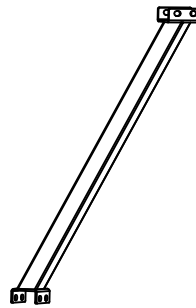
Funnel  
1 pc



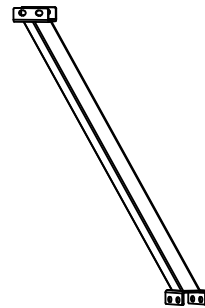
Connecting Plate  
2 pcs



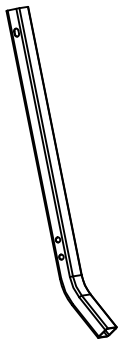
Control Box  
1 pc



Leg Kit A  
2 pcs



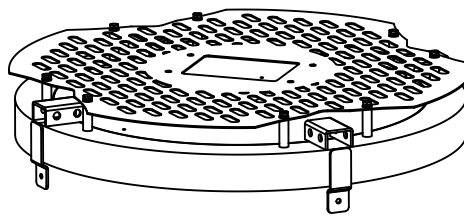
Leg Kit B  
2 pcs



Sled Leg - Female  
2 pcs



Sled Leg - Male  
2 pcs

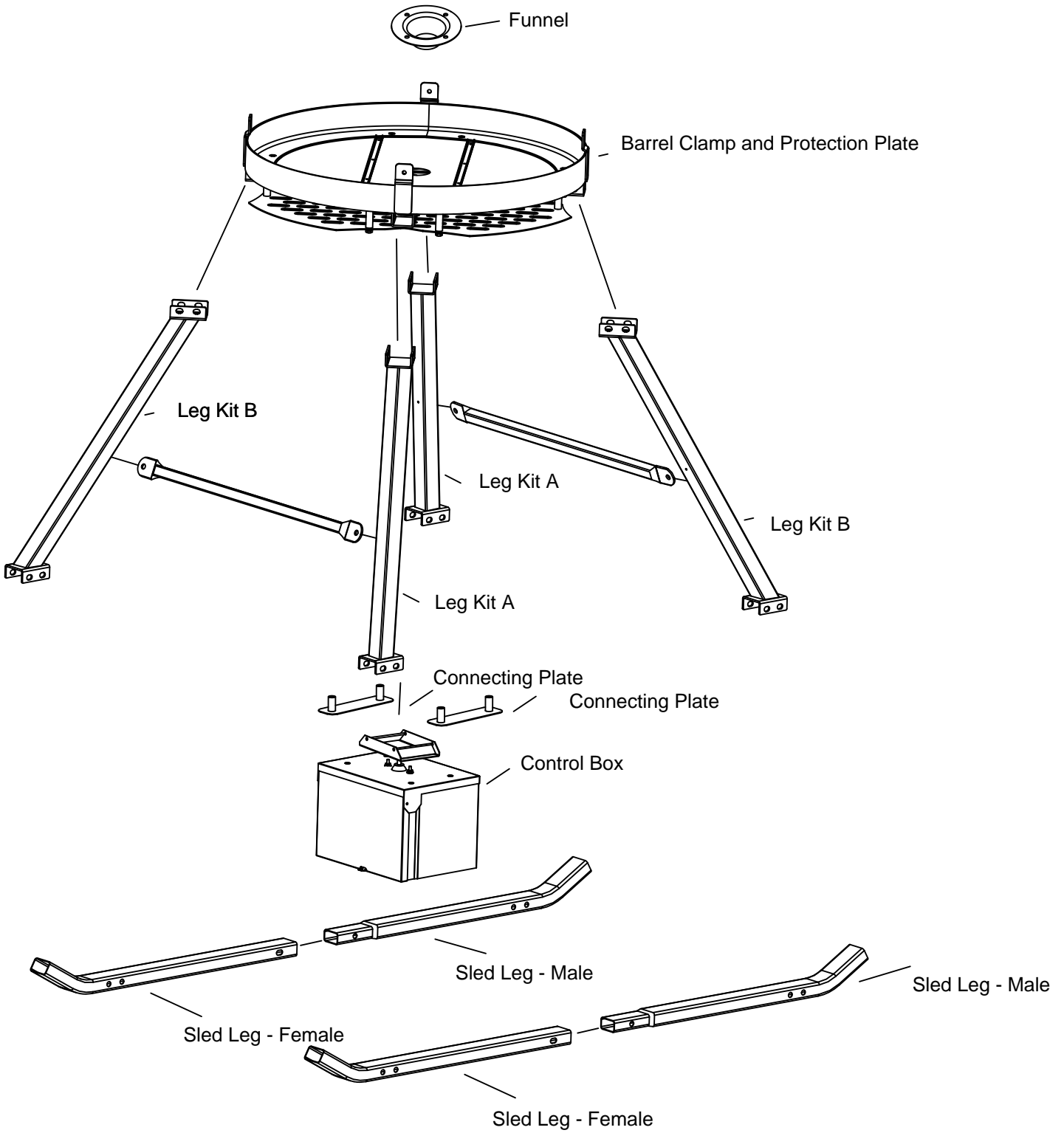


Barrel Clamp and Protection Plate  
1 pc

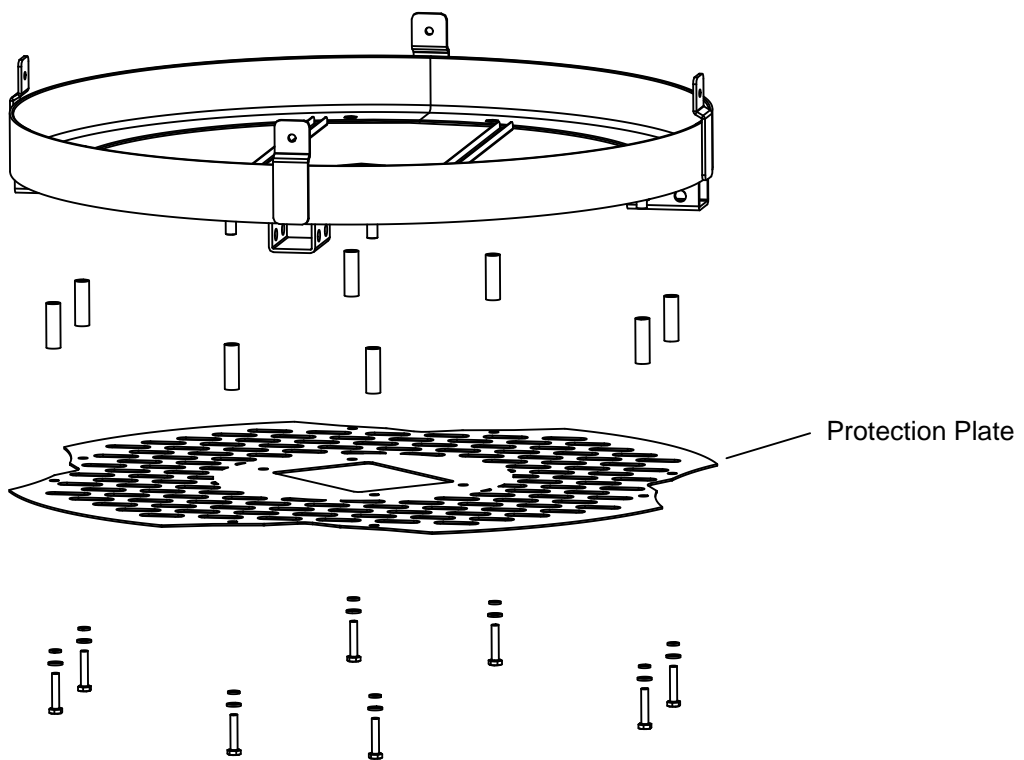


Support Bar  
2 pcs

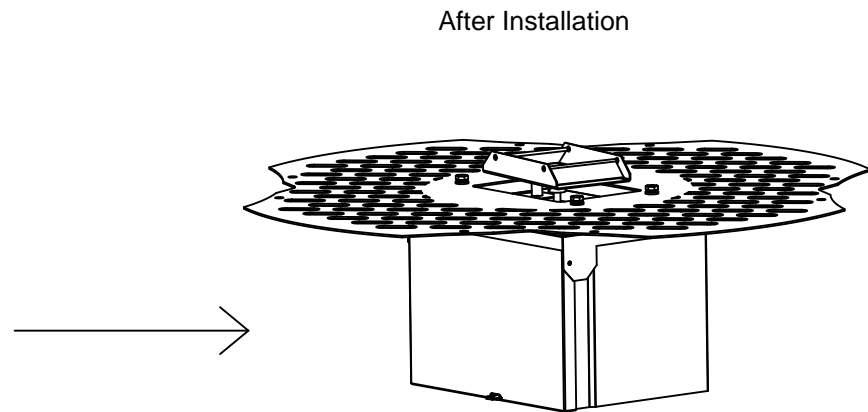
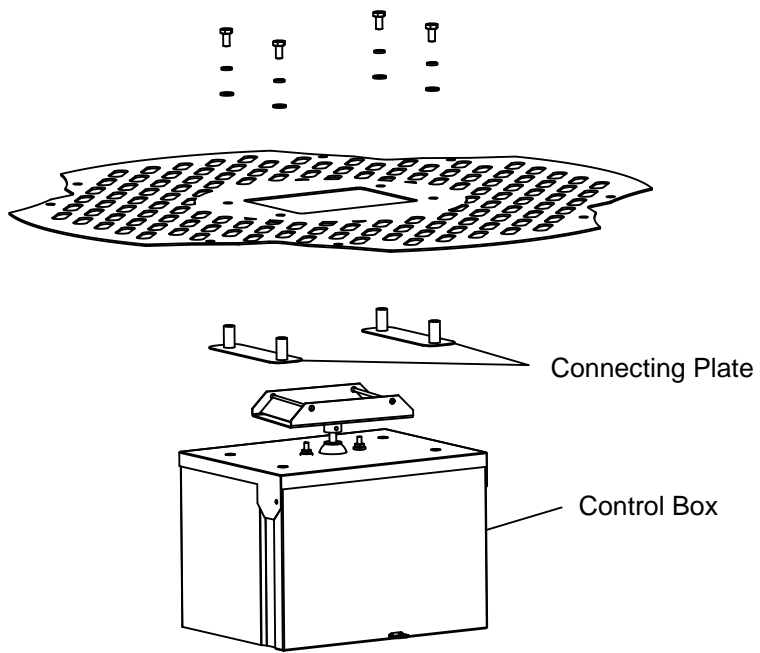
Exploded View



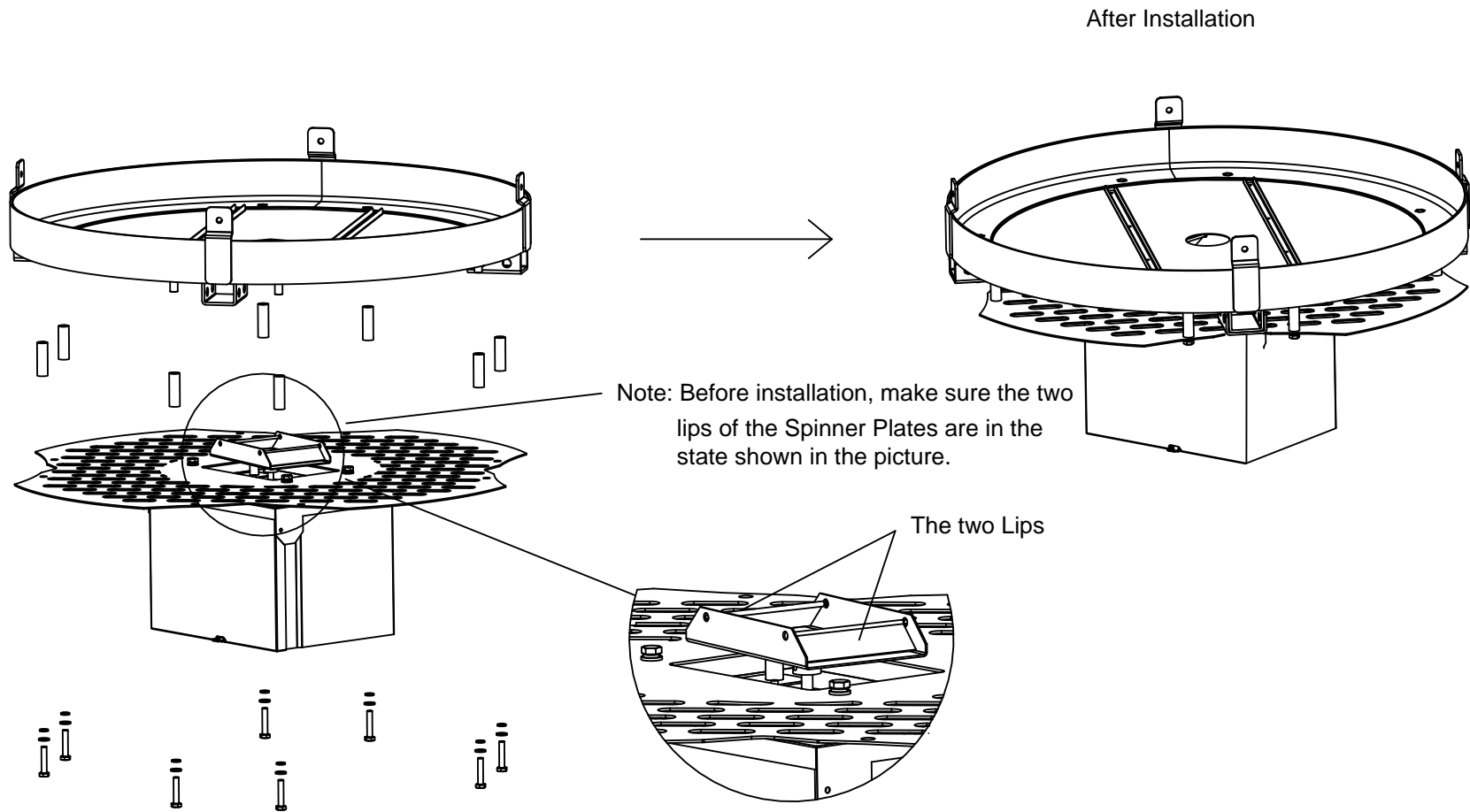
Step 1: Remove the Protection Plate from the Barrel Clamp



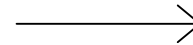
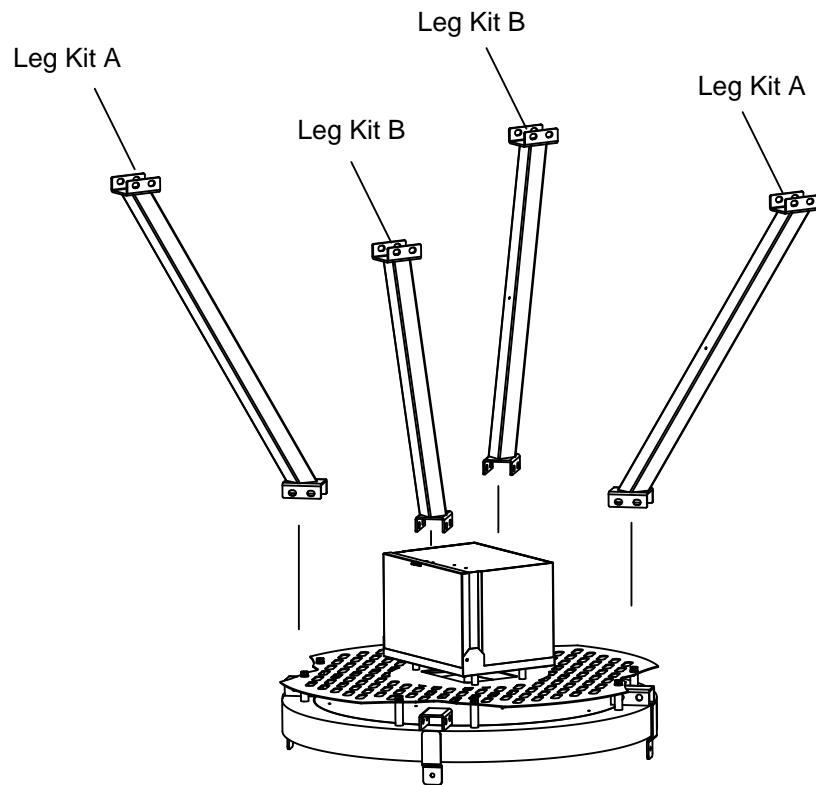
Step 2: Install the Control Box to the Protection Plate with the two Connecting Plates.



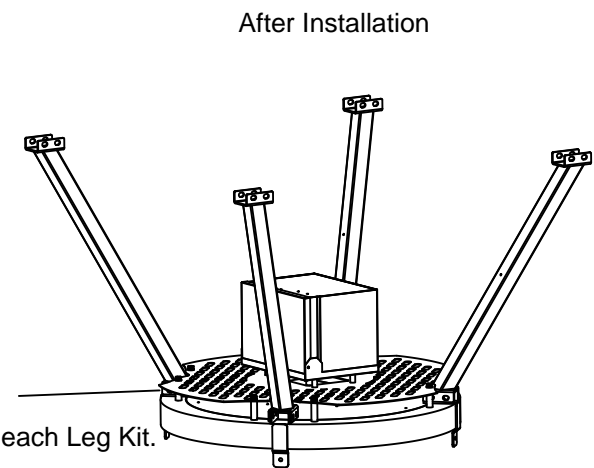
Step 3: Install the Parts got from Step 2 to the Barrel Clamp.



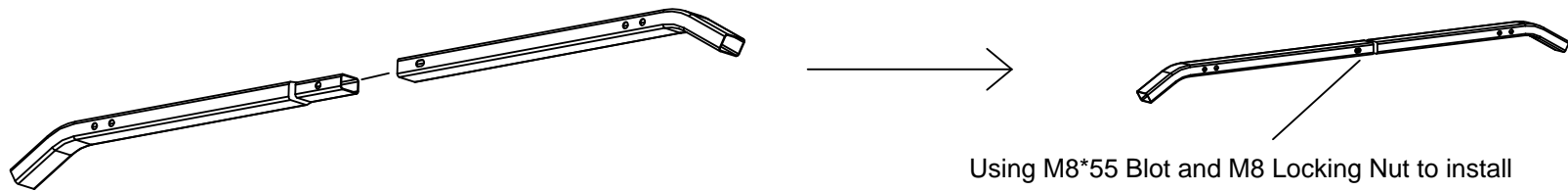
Step 4: Install the Leg Kit A (2 pcs) and Leg Kit B (2 pcs) to the parts got from Step 3.



Using 2 pcs M8x60 Bolts and M8 Locking Nuts to mount each Leg Kit.



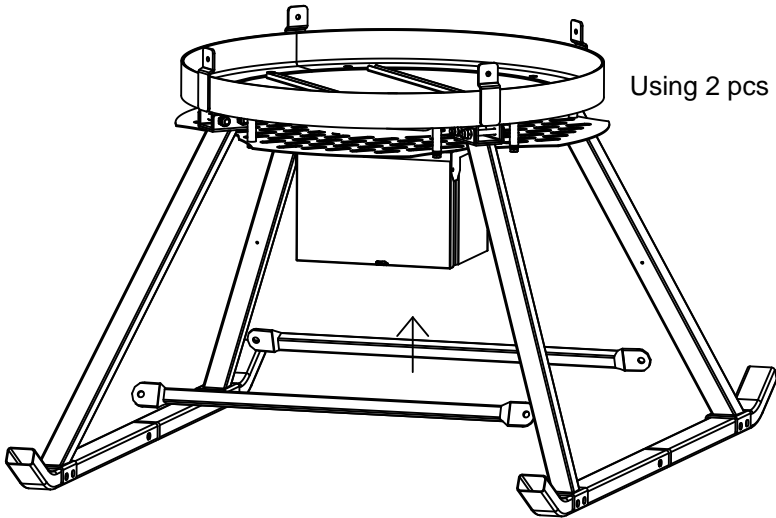
Step 5: Install the 2 Sled Leg - Male to the 2 Sled Leg - Female





Step 6: As the picture shown, install the two Support Bars to the four legs.

After Installation



Using 2 pcs stakes with plastic washers to install.

