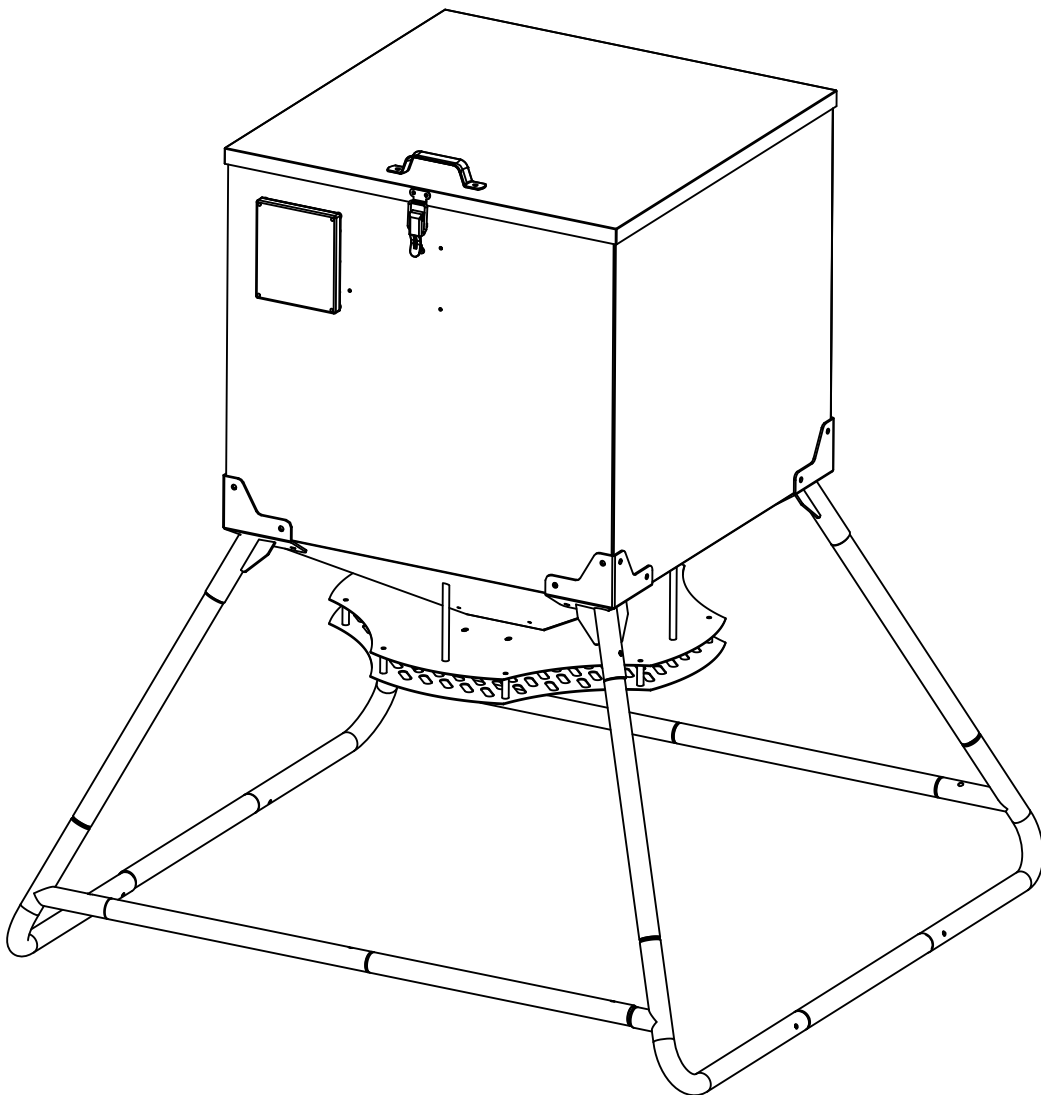
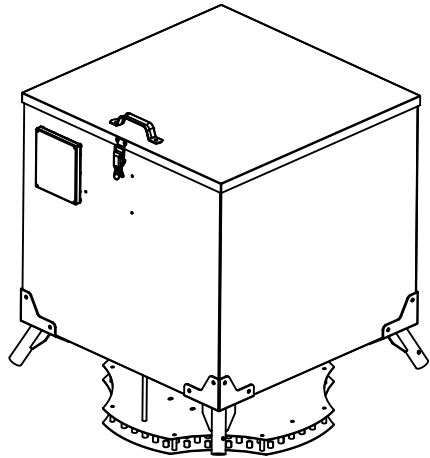


500# STUBBY FEEDER



Spare Parts



Hopper and Bottom System



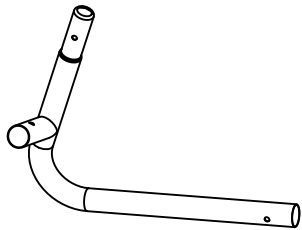
Short Leg Tubes

4pcs/set



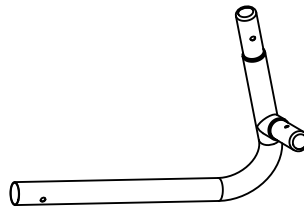
Long Leg Tubes

4pcs/set



Left Bend Leg kits

2pcs/set



Right Bend Leg kits

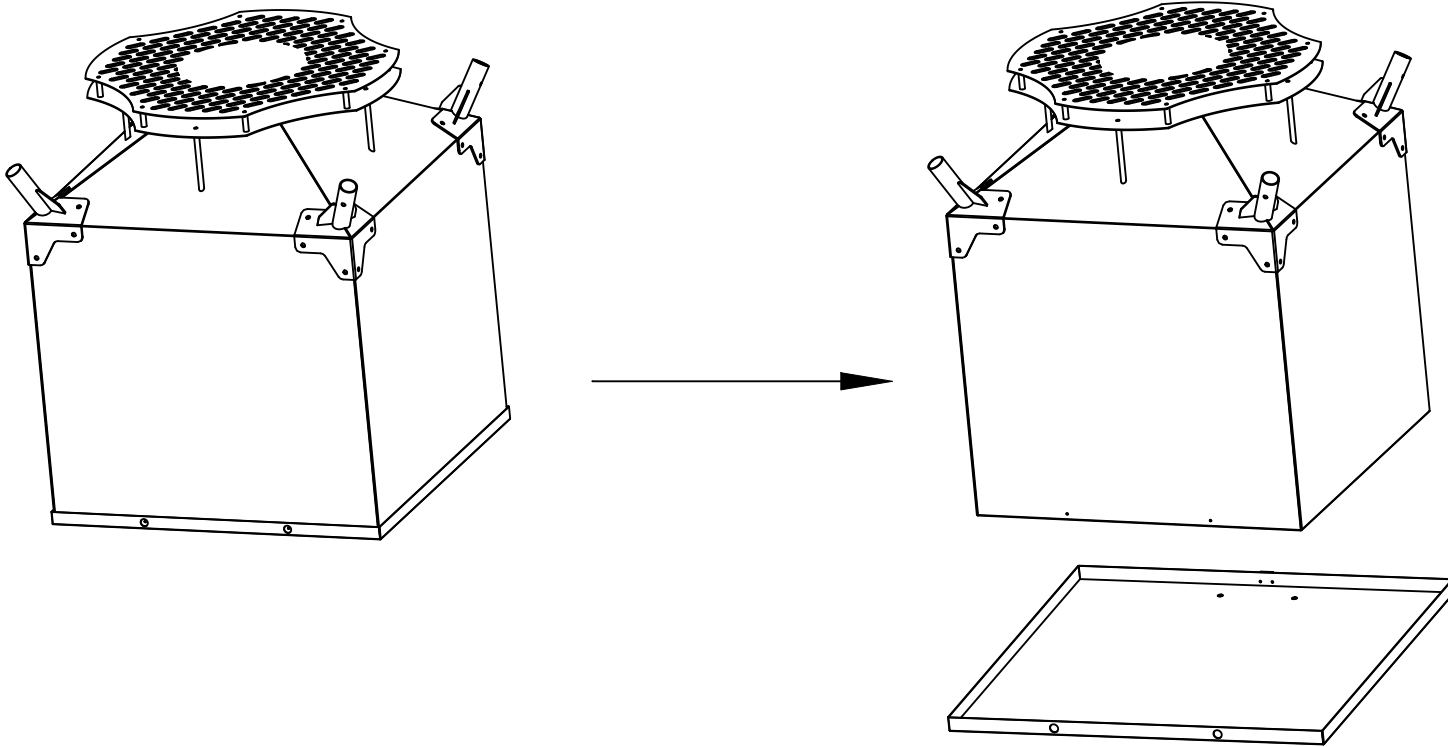
2pcs/set



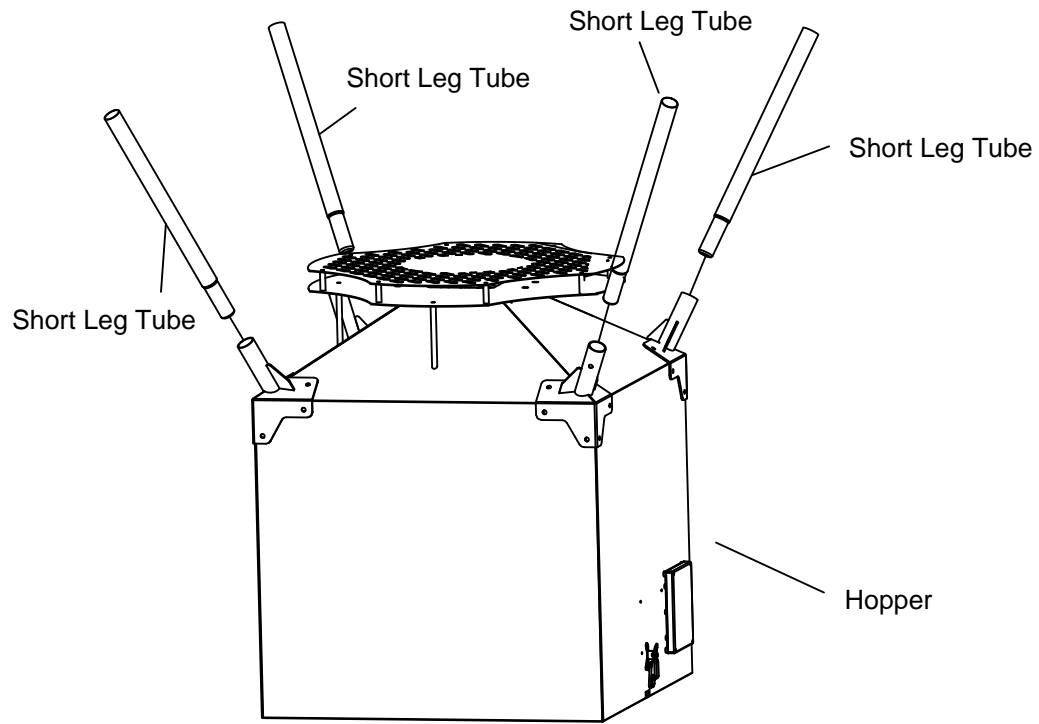
Connection Leg Tubes

2pcs/set

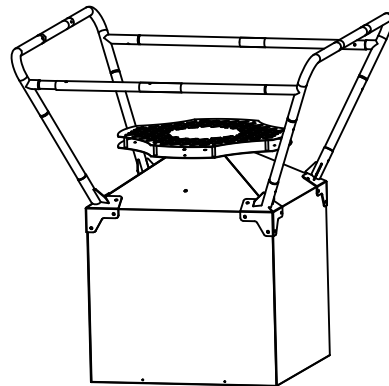
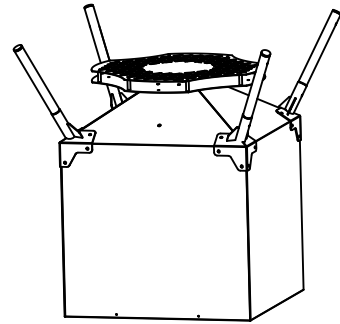
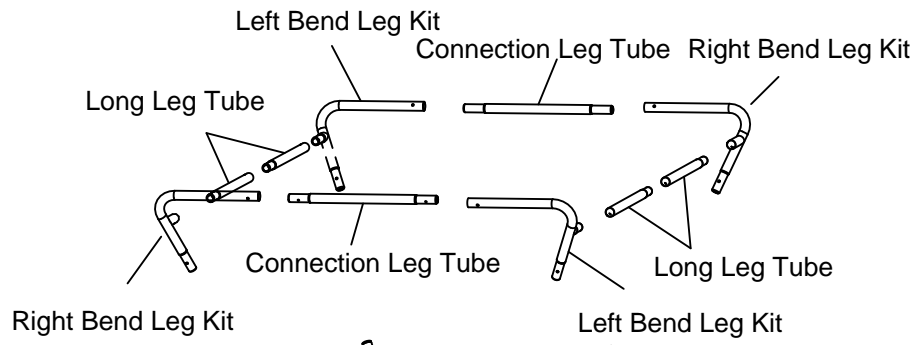
Step 1: Remove the Lid



Step 2: As the below image, install the 4 Short Leg Tubes to the Hopper



Step 3: As the below image, connect all the leg kits together



Step 4: Put the Lid on the Hopper

