

SGM464GG

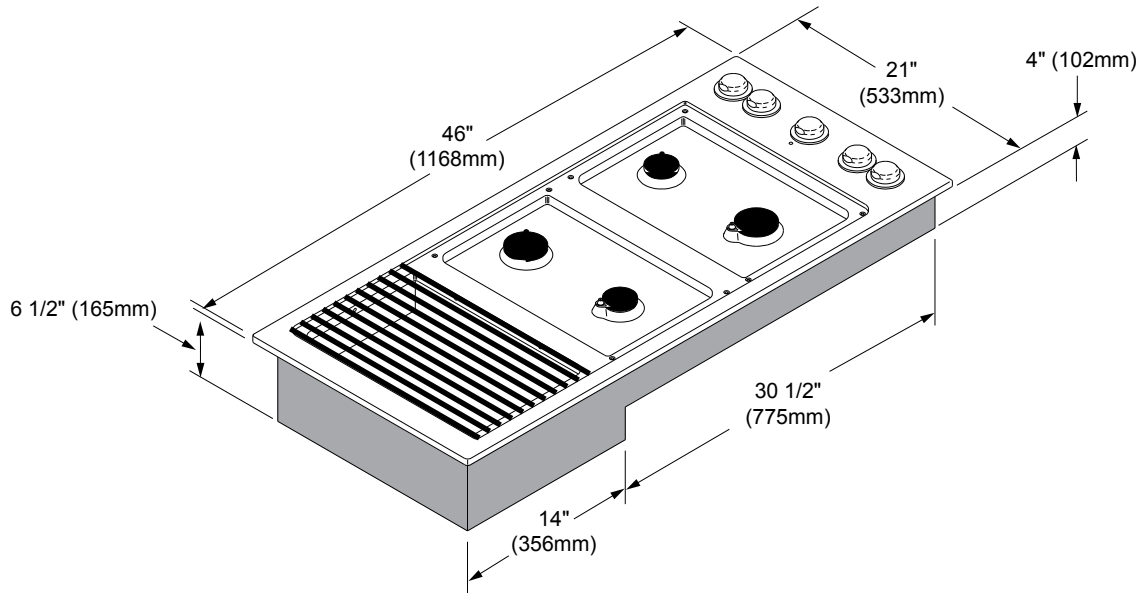
dacor
The life of the kitchen™

091605

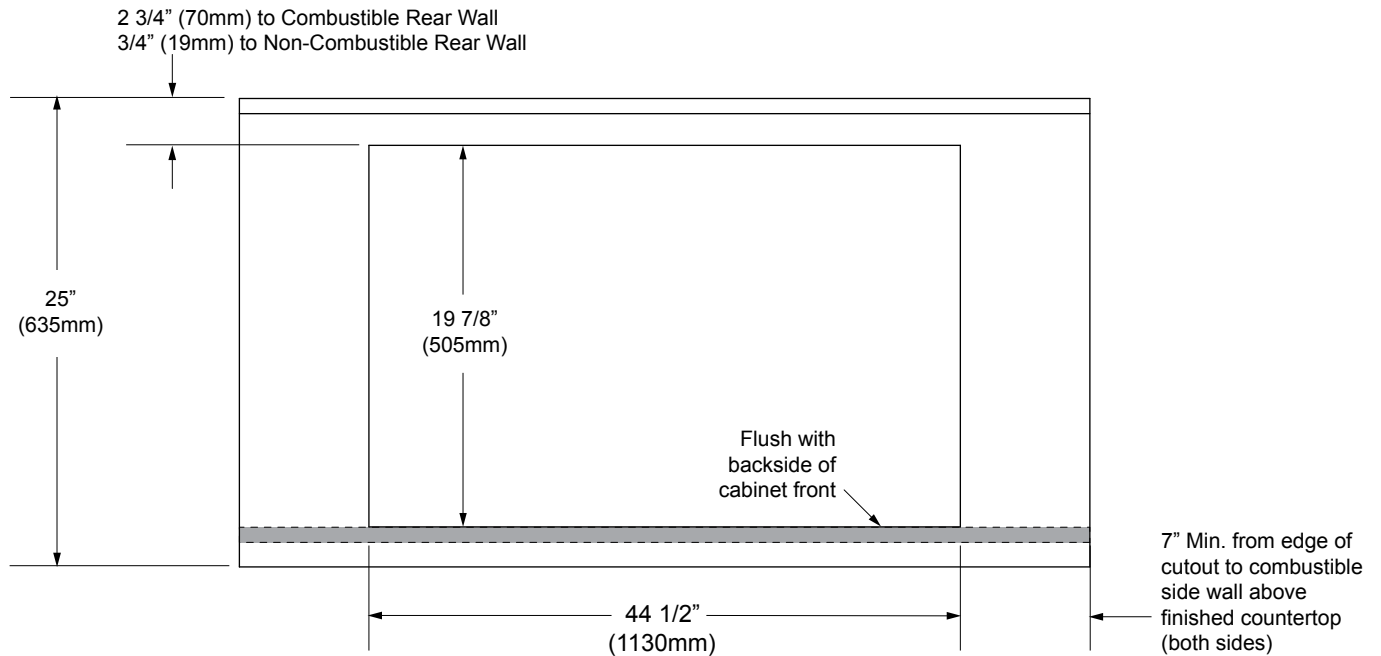
46" Wide, Preference™ Gas Cooktop

1/2

PLANNING GUIDE



OVERALL DIMENSIONS



TOP VIEW COUNTERTOP CUTOUT

SGM464GG

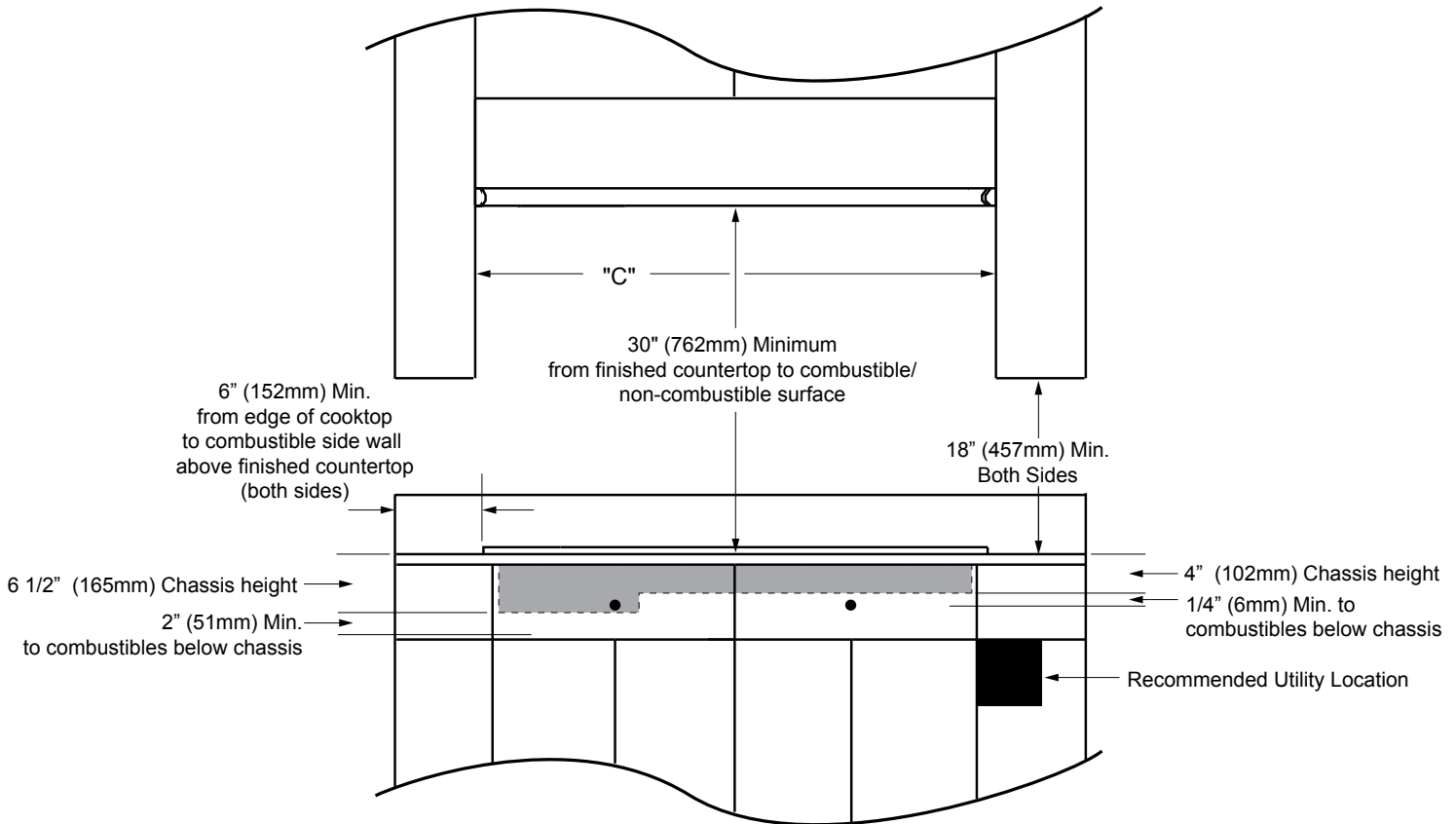
dacor
The life of the kitchen™

062805

46" Wide, Preference™ Gas Cooktop

2/2

PLANNING GUIDE



UPPER CABINET DIMENSIONS
(Upper Cabinets 13" (330mm) Maximum Depth)

| Model No. | "A" Minimum Hood Width | "A" Recommended Hood Width |
|-----------|------------------------|----------------------------|
| SGM464GG | 46" (1166mm) | 54" (1372mm) |

| Model No. | Dedicated Circuit Required | Total Connected Load | Approximate Shipping Weight | Gas Supply Requirements |
|-----------|-----------------------------|----------------------|-----------------------------|--|
| SGM464GG | 120VAC, 60Hz, 15A (Breaker) | 0.03kW (0.25A) | 96 lbs. | 1/2" (13mm) Regulator - Natural Gas Standard |

 **NOTES:**

1. **Factory installed liquid propane (LP) special ordered.**
2. **Cooktop is supplied with a 48" (1219mm) power cord, with a three prong grounded plug.**
3. **Utilities are located in the right rear corner of the cooktop.**
4. **The SGM464GG cooktop is only approved for installation with Dacor ERV/PRV Downdraft Ventilation. Dacor recommends a 54" (1372mm) wide hood with a minimum 1100 CFM blower.**
5. **The SGM464GG cooktop is not approved for installation above a wall oven.**
6. **See the Combination Installation (CI) Section if installing with a downdraft, or warming oven.**