



Installation Instructions

Renaissance[®] Gas Range

Models: RNRP36GS, RNRP48GS

THIS APPLIANCE HAS BEEN TESTED IN ACCORDANCE WITH THE LATEST EDITIONS OF ANSI Z21.1, UL858 AND UL60730-1, STANDARDS FOR HOUSEHOLD APPLIANCES.

Table of Contents

Important Safety Instructions	1	Gas Connection	9
Planning the Installation	3	Final Installation	10
Electrical Requirements.....	3	Installing the Burner Knobs	11
Gas Supply Requirements.....	3	Cooktop Assembly	12
Product Dimensions.....	4	Verifying Proper Operation	13
Cabinet Layout.....	5	Removing the Range for Service.....	13
Installation Instructions	6	Reinstalling the Range After Service.....	13
Preparing for Installation.....	6	Installation Checklist.....	13

IMPORTANT:

- **Installer:** In the interest of safety and to minimize problems, read these installation instructions completely and carefully before you begin the installation process. Leave these installation instructions with the customer.
- **Customer:** Keep these installation instructions for future reference and the local building inspector's use.

Customer Service Information

If you have questions or problems with installation, contact your Dacor dealer or the Dacor Customer Service Team. For repairs to Dacor appliances under warranty call the Dacor Distinctive Service line. Whenever you call, have the model and serial number of the appliance ready. The model and serial number label is located inside the grate, inside the door.

Dacor Customer Service Team

Phone: (800) 793-0093 ex. 2813 (U.S.A. and Canada)

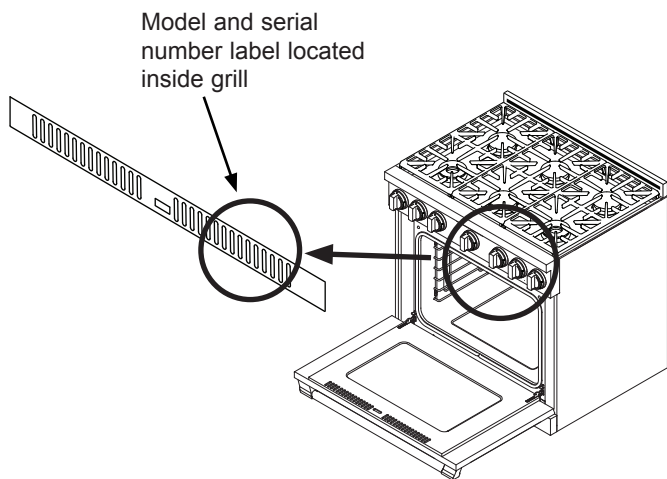
Monday — Friday 6:00 A.M. to 5:00 P.M. Pacific Time

Web site: www.dacor.com

Dacor Distinctive Service (for repairs under warranty only)

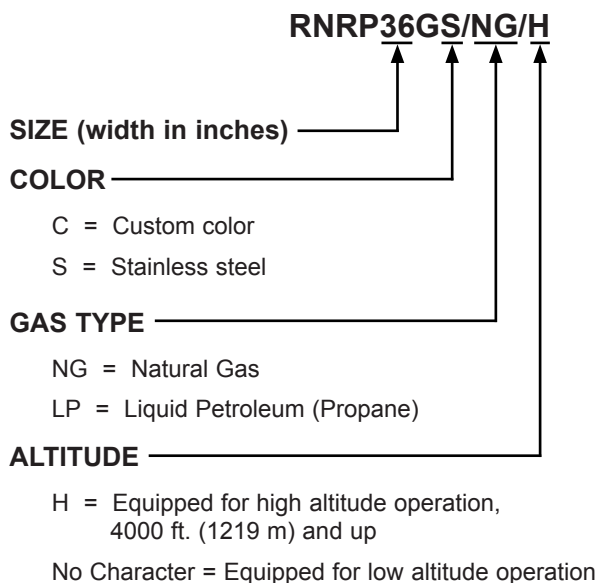
Phone: (800) 793-0093 ex. 2822 (U.S.A. and Canada)

Monday — Friday 6:00 A.M. to 5:00 P.M. Pacific Time



Model and Serial Number Location

Model Identification



All specifications subject to change without notice.
No liability is assumed by Dacor® for changes to specifications.

Important Safety Instructions

Important Information About Safety Instructions

The **Important Safety Instructions** and warnings in this manual are not meant to cover all possible problems and conditions that can occur. Use common sense and caution when installing, maintaining or operating this or any other appliance.

Always contact the Dacor Customer Service Team about problems and conditions that you do not understand.

Safety Symbols and Labels

DANGER

Immediate hazards that **WILL** result in severe personal injury or death.

WARNING

Hazards or unsafe practices that **COULD** result in severe personal injury or death.

CAUTION

Hazards or unsafe practices that **COULD** result in minor personal injury or property damage.

WARNING

If the information in this manual is not followed exactly, a fire or explosion may result causing property damage, personal injury or death.

- **Do not store or use gasoline or other flammable vapors and liquids in the vicinity of this or any other appliance.**
- **WHAT TO DO IF YOU SMELL GAS**
 - **Do not try to light any appliance.**
 - **Do not use any phone in your building.**
 - **Immediately call your gas supplier from a neighbor's phone. Follow the gas supplier's instructions.**
 - **If you cannot reach your gas supplier, call the fire department.**
- **Installation and service must be performed by a qualified installer, service agency or the gas supplier.**

WARNING

WARNING – NEVER use this appliance as a space heater to heat or warm the room. Doing so may result in carbon monoxide poisoning and overheating of the appliance.

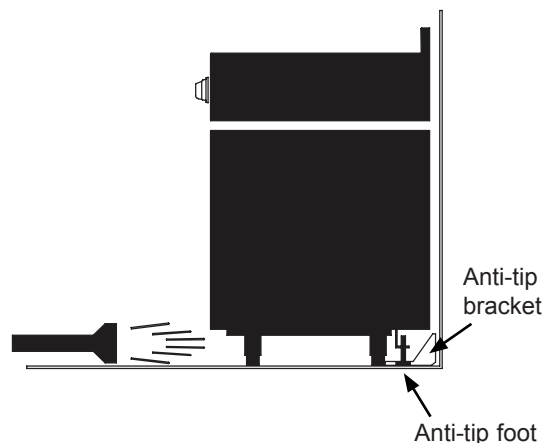
WARNING

NEVER cover any slots, holes or passages on the inside or outside of the range or cover an entire rack with materials such as aluminum foil. Doing so blocks air flow through the oven and may cause carbon monoxide poisoning. Aluminum foil linings may also trap heat, causing a fire hazard.

WARNING

Tip-over hazard:

- A child or adult can tip the range and be killed.
- Attach the anti-tip bracket to the floor as directed in these installation instructions.
- Engage the anti-tip bracket by sliding the anti-tip foot on the range into it according to these installation instructions. Using a flashlight, be sure that the anti-tip bracket engages the range's anti-tip foot as shown below.
- After moving the range, be sure to re-engage the anti-tip foot into the anti-tip bracket as shown below.
- See the anti-tip bracket installation instructions in this guide for further details.
- Failure to follow these instructions can result in death or serious burns to children or adults.



CALIFORNIA PROPOSITION 65 WARNING

The burning of gas cooking fuel generates some by-products that are on the list of substances which are known by the State of California to cause cancer or reproductive harm. California law requires businesses to warn customers of potential exposure to such substances. To minimize exposure to these substances, always operate this unit according to the use and care manual, ensuring you provide good ventilation when cooking with gas.

READ AND SAVE THESE INSTRUCTIONS

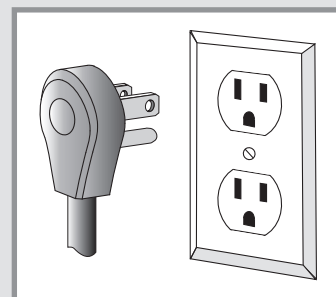
Important Safety Instructions

WARNING

- Read the accompanying use and care manual before operating this appliance.
- Keep packaging materials away from children. Plastic sheets and bags can cause suffocation.
- If you receive a damaged product, immediately contact your dealer or builder. Do not install or use a damaged appliance.
- This range must be properly installed and grounded by a qualified installer according to these installation instructions prior to use. The installer should show the customer the location of the gas shut off valve and the electrical outlet so that they know where and how to turn off the gas supply and power to the range.
- This appliance should not be installed with a ventilation system that blows air downward toward the range. This type of ventilation system may cause ignition and combustion problems with the gas cooking appliance, resulting in personal injury or unintended operation.
- Do not use this appliance in combination with a surface (countertop) ventilation system.
- This appliance is not designed for installation in a mobile home or recreational vehicle.
- Do not install, repair or replace any part of the range unless specifically recommended in the literature accompanying it. A qualified service technician should perform all other service.
- Do not connect this range to the gas supply without the supplied gas pressure regulator installed.
- Before performing any type of service or installation, make sure the gas supply and power to the range are turned off.
- NEVER block or cover any slots, holes or passages anywhere inside the oven or on the outside of the range or cover an oven rack with materials such as aluminum foil. Doing so blocks airflow through the oven and cooktop and may cause carbon monoxide poisoning or fire. See the **Getting to Know Your Range** section of the use and care manual for the location of the various air holes (slots).
- Only use the range for cooking tasks expected of a home appliance as outlined in the literature accompanying it. This range is not intended for commercial use.
- **DO NOT TOUCH THE SURFACES OF THE OVEN(S) OR COOKTOP DURING OR IMMEDIATELY AFTER USE.**
- To avoid the possibility of fire, never leave this appliance unattended when the cooktop is in use.
- Do not climb on any part of the appliance.
- Do not leave children or pets alone or unattended in the area around the range. Do not allow children to play with the controls, pull on the handle(s), or touch other parts of the range.
- Do not store items of interest to children on top of or above the range. Children could be burned or injured while climbing on the appliance.
- Do not attempt to use this appliance in the event of a power failure.

WARNING

- Clean the cooktop thoroughly before operating it for the first time.
- Keep flammable items, such as paper, cardboard, plastic and cloth away from the burners and other hot surfaces. Do not place such items in the oven(s). Do not allow pot holders to touch hot surfaces or gas burners.
- Do not wear loose or hanging apparel while using the range. Do not allow clothing to come into contact with the interior of the oven(s) or the cooktop and surrounding areas during and immediately after use.
- To avoid a fire hazard, do not hang flammable or heat sensitive objects over the range. If the range is near a window, do not use long curtains as window treatment. The curtains could blow over the cooktop and create a fire hazard.
- Do not use the oven(s) for storage.
- Do not touch the outside surfaces of the range during the self-clean cycle. They will be hot. Venting from the oven may cause the cooktop and backguard to become hot.
- Make sure that all the cooktop parts are dry before lighting a burner.
- Turn the knobs to the "OFF" position prior to removing them from the valve stems.
- The cooktop should never be operated without the knobs and trim rings in place.
- For your safety, do not use the oven to cook without the convection filter(s) installed. When the filter is not installed, the spinning fan blades at the back of the oven are exposed.
- Do not line the oven(s) with aluminum foil or other materials. These items can melt or burn up during self-cleaning and cause permanent damage to the appliance.
- Non-stick coatings, when heated, can be harmful to birds. Remove birds to a separate, well-ventilated room during cooking.
- **IMPORTANT** - This appliance is equipped with a three-prong grounding plug for your protection against possible electric shock hazards. Plug it only into a dedicated, grounded three-prong electrical outlet. It is the responsibility of the customer to make sure the proper type of outlet is installed. Do not under any circumstances:
 - ◇ Cut or remove the third (ground) prong from the power cord.
 - ◇ Use an adapter plug.
 - ◇ Use an extension cord.
 - ◇ Use a power cord that is frayed or damaged.
 - ◇ Connect to an electrical outlet with a ground fault interrupter (GFI).



Planning the Installation

WARNING

- **IMPORTANT:** Observe all governing codes and ordinances during planning and installation. Contact your local building department for further information.
- To prevent an electric shock hazard, the power supply must meet the specifications stated below. It is the owner's responsibility to make sure that the electrical service meets electrical requirements and that the electrical outlet has been properly installed by a licensed electrician.

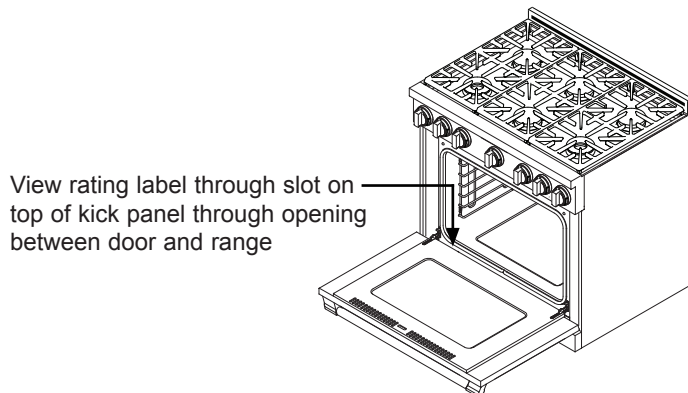
The appliance installation must be electrically grounded in accordance with local codes or, in the absence of local codes, with the National Electrical Code, ANSI/ NFPA 70:

Electrical Requirements

- The range is supplied with a factory installed, 6 foot long, power cord with a three-prong grounding plug. It is connected to the chassis at the rear of the range. It must be connected to a dedicated, grounded three-prong electrical outlet.
- The correct voltage, frequency and amperage must be supplied to the appliance from a separate, grounded, circuit that is protected by a properly sized circuit breaker or time delay fuse.

Model	Circuit Required	Total Connected Load*
RNRP36G	120 Vac, 60 Hz, 15 Amp.	120 Vac 60 Hz, 5.0 Amp.
RNRP48G	120 Vac, 60 Hz, 15 Amp.	120 Vac 60 Hz, 8.0 Amp.

*These specifications for reference only. Refer to the rating label for exact specifications (see below for location).



Specifications Label Location

Gas Supply Requirements

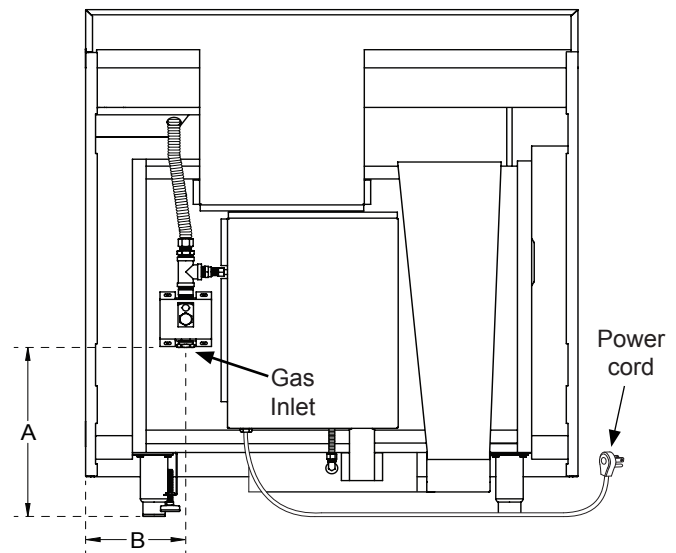
- The installation of this appliance must conform with local codes or, in the absence of local codes, with the National Fuel Gas Code, ANSI Z223.1/NFPA 54.
- Be certain that the appliance being installed is correct for the gas service provided (natural gas or LP gas). Also, if operating the range at an altitude above 4000 ft. (1219 m) make sure it is equipped for high altitude operation. Refer to the range rating label and the table on the inside cover to determine the correct model.
- See the table below for gas supply pressure requirements.
- The range comes from the factory with the regulator installed. Use only the installed regulator. The regulator inlet accommodates a 3/4" gas line. The range ships with a 1/2" to 3/4" adapter connected to the regulator.

GAS SUPPLY PRESSURE REQUIREMENTS*		
Gas Type	Minimum Manifold Pressure	Minimum Gas Supply Pressure**
Natural Gas	5" Water Column	6" Water Column
Liquid Propane (LP)	10" Water Column	11" Water Column

* The gas supply pressure for testing the regulator setting shall be at least 1 inch water column (249 Pa) above the specified manifold pressure.

** Maximum gas supply pressure for all models: 1/2 psi.

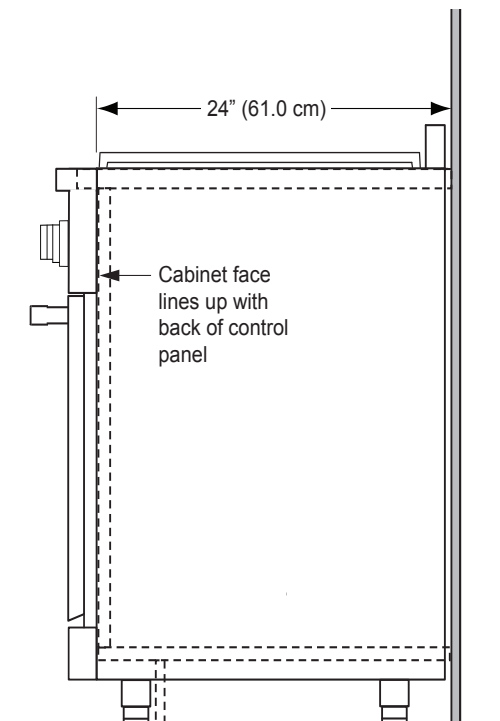
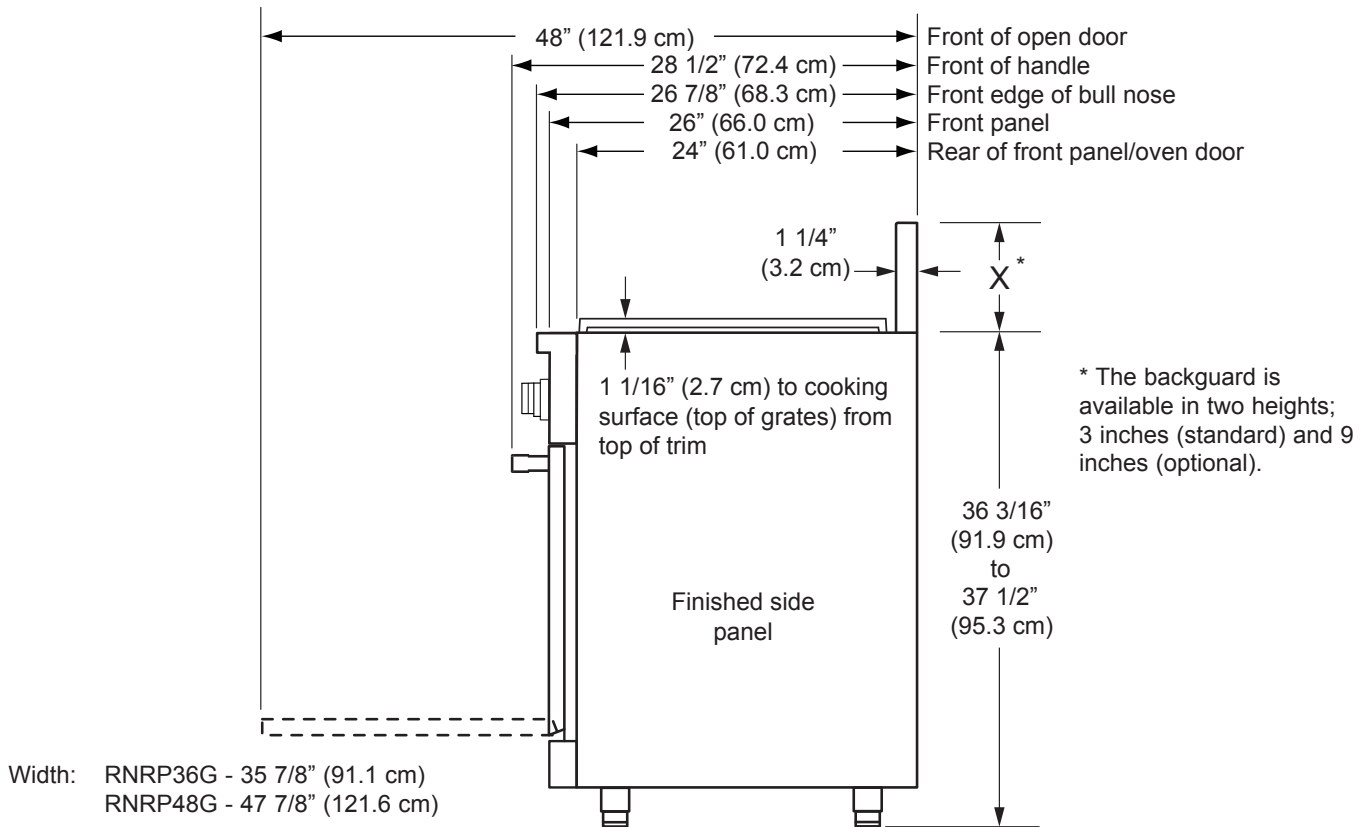
The ratings above are for reference only. Refer to the rating label for exact specifications (see below left for location).



GAS - ELECTRICAL ACCESS DIMENSIONS		
Model	A	B
RNRP36G	13 1/16" to 14 3/8" (33.2 to 36.5 cm)	7 5/16" (18.6 cm)
RNRP48G	13 1/16" to 14 3/8" (33.2 to 36.5 cm)	4 1/4" (10.8 cm)

Planning the Installation

Product Dimensions Product tolerances: $\pm 1/16"$ (± 1.6 mm)



**View of Range Installed
(Side View)**

Planning the Installation

Cabinet Layout

- All maximum and minimum dimensions and clearances shown in the diagrams below must be maintained for safe operation.
- Check the location where the range is to be installed. It should be placed away from drafts that may be caused by doors, windows and heating and air conditioning outlets.
- To reduce the risk of fire or personal injury from reaching over a hot appliance, avoid cabinet installations directly above the range. If cabinet storage is to be provided, the risk can be reduced by installing a range hood that projects horizontally a minimum of 5 inches beyond the bottom of the cabinets.
- The range may be installed flush to the rear wall. Dacor strongly recommends installing a non-combustible material on the rear wall above the range and up to the vent hood or installation of a backguard. It is not necessary to install non-combustible materials behind the range below the countertop height. Any openings in the wall behind the appliance or in the floor underneath it must be sealed.

CUTOUT DIMENSIONS			
Range Model	F	G	H
RNRP36G	42" (106.7 cm)* 36" (91.4 cm)**	36" (91.4 cm)**	33 1/2" (84.8 cm)
RNRP48G	54" (137.2 cm)* 48" (121.9 cm)**	48" (121.9 cm)**	43 1/2" (110.2 cm)

* Recommended ** Minimum

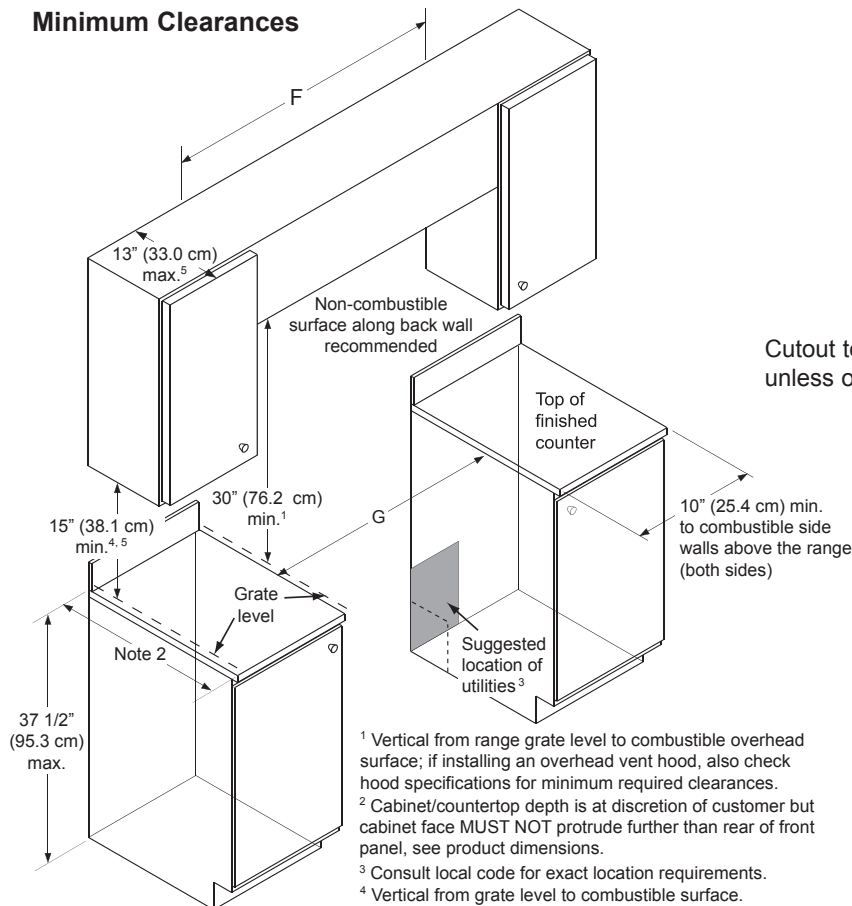
Gas and Electrical Service

- The shaded area shown below denotes the location of the gas inlet and the electrical outlet. This is the recommended location. For replacement purposes, the location of the existing utilities may be utilized provided they do not interfere with the sides or rear of the range. Check local building codes for permissible gas valve locations.
- An external manual shut-off valve must be installed between the gas inlet and the range for the purpose of turning on or shutting off gas to the appliance.

The installation must allow for the following:

- Access to the gas shut-off valve when the unit is installed.
- Access to the electrical outlet, when the range is in place.
- The gas supply piping and shut-off valve, and the electrical outlet must be located so they do not interfere with the range when it is installed.
- The electrical outlet and gas shut off valve must be located so that the range can be pulled out for service while the appliance remains connected.

Minimum Clearances



Cutout tolerances: +1/16" (+1.6 mm), -0 unless otherwise stated

¹ Vertical from range grate level to combustible overhead surface; if installing an overhead vent hood, also check hood specifications for minimum required clearances.
² Cabinet/countertop depth is at discretion of customer but cabinet face MUST NOT protrude further than rear of front panel, see product dimensions.
³ Consult local code for exact location requirements.
⁴ Vertical from grate level to combustible surface.
⁵ This specification does not apply for cabinets more than a horizontal distance of 10" (25.4 cm) from the edge of the range.

Installation Instructions

Preparing for Installation

WARNING

- If the gas or electric service provided does not meet the product specifications, do not proceed with the installation. Call the dealer, the gas supplier or a licensed electrician.
- Before installing the range, you must locate and secure the anti-tip bracket to the floor.

IMPORTANT: Within the Commonwealth of Massachusetts, this appliance must be installed by a licensed plumber or gas fitter.

Unpacking the Range

Unpack the parts box and verify that all required components have been provided. If any item is missing or damaged, please contact your dealer immediately. Do not install a damaged or incomplete appliance.

Parts List

- 3 Grates
- 8 Standard burner caps (4 brass, 4 porcelain)*
- 4 Standard burner rings
- 4 SimmerSear burner caps (2 brass, 2 porcelain)*
- 2 SimmerSear burner rings
- 2 SimmerSear burner heads
- 2 GlideRack™ oven racks
- 1 Standard rack
- 2 GlideRack™ 18" wide oven racks (RNRP48G only)
- 1 18" wide standard oven rack (RNRP48G only)
- Knobs (4 Standard cooktop, 2 cooktop MAX GRIDDLE, 1 oven for RNRP36G, 2 oven for RNRP48G)
- Anti-tip bracket with screws and anchors
- Griddle
- Wok ring
- Stainless steel cleaner
- Literature kit
- Broiler pan/grill

*The range is supplied with two different types of burner caps (brass and porcelain) to suit the customer's preference. Please note that the brass burner caps change color over time as the result of heat.

Installing a 9 Inch Backguard (Optional)

Install the optional 9 inch backguard before making the range gas and electrical connections. Install it according to the installation instructions included with the backguard kit.

Approved backguard kits:

Model	Description
APB36D9	9 inch high backguard for range model RNRP36G
APB48D9	9 inch high backguard for range model RNRP48G

Install the Anti-Tip Bracket and Foot

Locate the anti-tip bracket included in the parts box.

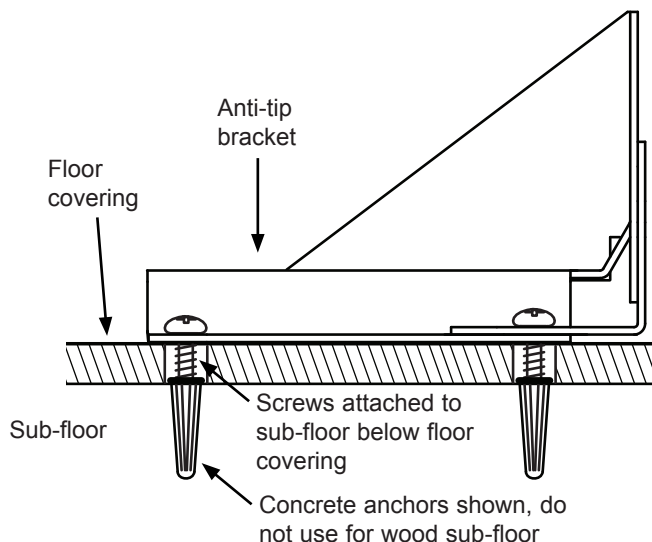
There are two ways to mount the anti-tip bracket:

- Floor mounting (preferred method)
- Wall mounting (alternate method). Use this method if floor mounting is not suitable. If the front panel of range (excluding bull nose) is further than 27" (68.6 cm) from the back wall or if the flooring is too thick (see **Installing the Anti-Tip Bracket on the Wall**), the wall mounting method may not be used and the floor mounting method must be suitable.

Installing the Anti-Tip Bracket on the Floor

WARNING

To perform its intended function, the anti-tip bracket must be attached as instructed to the concrete slab or wood sub-floor below any floor coverings (including cement board) on top. Do not attach the anti-tip bracket directly to floor coverings such as ceramic/asphalt tile or linoleum.



Four (4) plastic anchors are provided along with three sizes (4 each) of #8 or #12 Phillips head screws for attaching the anti-tip bracket to the floor. Use both the anchors and four (4) of the screws when attaching the bracket to a concrete sub-floor. Do not use the provided anchors when attaching to a wood sub-floor.

Installation Instructions

Installing the Anti-Tip Bracket on the Floor (cont.)

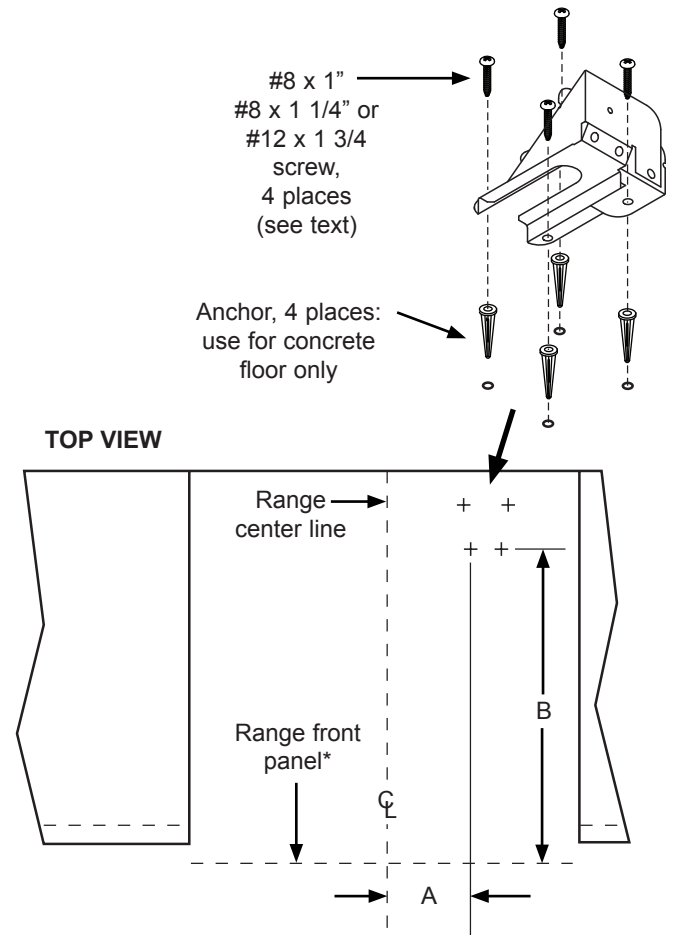
1. Determine the location of the range center line and front panel for the range's final position based on the **Product Dimensions** on page 5 and the actual cabinet/cutout dimensions used for the installation.
2. Determine the required position of the anti-tip bracket, based on the diagram below. Mark the four (4) mounting hole locations on the floor with a pencil.
3. Determine the screw size required. The minimum full thread depth (portion of screw threaded into wood/slab) for wood is 3/8" (1 cm) and 5/8" (1.6 cm) for concrete. See **SCREW SIZE TABLE** to select the correct screw size.

Attaching the bracket to a concrete floor:

- Drill four (4) 3/8" diameter countersink holes through any existing floor covering down to the concrete slab below.
- Drill the 4 holes for the anchors 1 1/4" (3.2 cm) deep into the concrete slab using a 3/16" masonry bit. This hole length is longer than the anchor, but is required for proper installation. Clear the holes of dust and any other material. Tap each anchor into the hole until the anchor top is flush with the top of the concrete slab. Position the anti-tip bracket holes over the anchor holes. Insert the screws through the 4 holes in the base of the bracket and thread them into the anchors. Be sure the screw threads fully engage the anchor body. Tighten the screws into place.

Attaching the bracket to a wood floor:

- If there is ceramic, asphalt or other hard floor covering over the wood below, drill (4) countersink holes to allow access to the wood below for drilling pilot holes.
- Drill four (4) pilot holes into the wood floor using a drill bit (1/16" dia. for #8 screws, 1/8" dia. for #12 screws). Position the anti-tip bracket holes over the holes in the floor. Insert the screws into the wood and tighten into place.



ANTI-TIP BRACKET PLACEMENT		
Dimension	RNRP36G	RNRP48G
A	10 7/8" (27.6 cm)	1 1/2" (3.8 cm)
B	22 1/2" (57.2 cm)	22 1/2" (57.2 cm)

* Excludes bull nose (see page 4)

SCREW SIZE TABLE	
Sub-Floor Type/Floor Covering Thickness	Screw Size
Concrete or wood sub-floor, no floor covering over top	#8 x 1 *
Concrete or wood sub-floor, floor covering up to 1/4" thick	#8 x 1 *
Concrete or wood sub-floor, floor covering over 1/4" and up to 1/2" thick	#8 x 1 1/4 *
Wood sub-floor, floor covering over 1/2" and up to 1 3/16" thick	#12 x 1 3/4 *
Concrete under floor covering over 1/2" thick	Must be purchased separately **
Wood sub-floor, floor covering over 1 3/16" thick	Must be purchased separately **

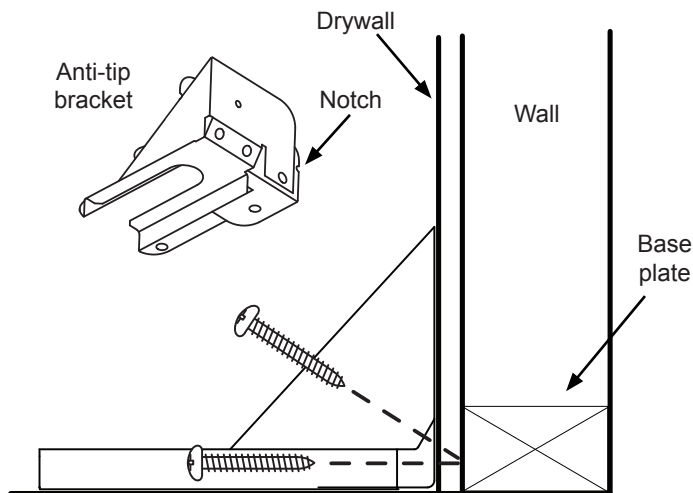
* Included with range

** Determine required depth based on information in step 3 and purchase from local hardware store.

Installation Instructions

Installing the Anti-Tip Bracket on the Wall

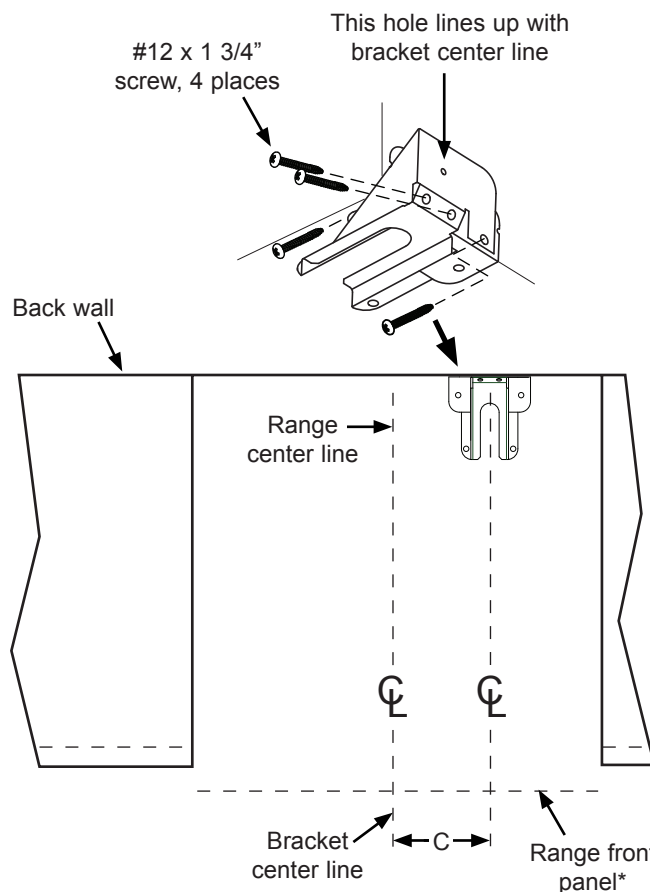
1. Determine the suitability of wall mounting the anti-tip bracket. To use the wall mount option, the range front panel (excluding the bull nose) must not be more than 27" (68.6 cm) from the wall and the bracket screws must be able to thread into the base plate inside the wall behind. The notches on the sides of the bracket indicated the minimum required height of the base plate inside the wall and that any floor covering is not too thick for proper screw thread engagement.



To determine if the base plate is high enough:

- ◇ Determine the location of the range center line and front panel when the range is in its final position based on the product dimensions on page 5 and the actual cabinet/cutout dimensions used for the installation.
- ◇ Determine and mark the required position of the anti-tip bracket, based on the diagram above. Push the bracket up against the wall in the mounting location.
- ◇ Using a pencil, make a dot next to the notches on both sides of the bracket. Determine if the base plate is as high at the notches by drilling test holes into the wall at both dots with a 1/16" drill bit. Drill just deep enough to see if the bit contacts the base plate. If the bit contacts the base plate the location will support wall installation of the anti-tip bracket. If you do not contact the base plate, the wall mounting method may not be used and the floor mounting method must be suitable, or the wall must be modified so that the base plate is above the notches.

2. To install the bracket, place it against the wall in the mounting location. Using a drill with a 1/8" diameter drill bit, drill four (4) 1 5/8" deep pilot holes perpendicular to the screw seating surfaces shown below. Attach the bracket to the wall as shown with the four (4) included #12 x 1 3/4 screws.



Top View - Location of Wall Mounted Anti-Tip Bracket

ANTI-TIP BRACKET PLACEMENT		
Dimension	RNRP36G	RNRP48G
C	11 7/8" (30.2 cm)	2 1/2" (6.4 cm)

* Excludes bull nose (see page 4)

Installation Instructions

Removing the Oven Door

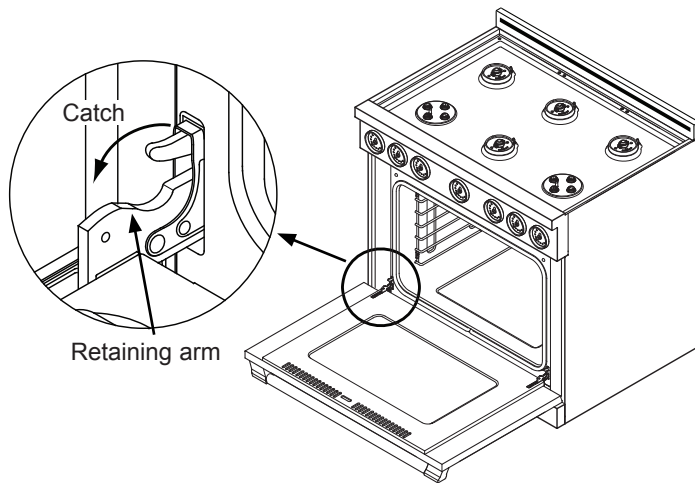
WARNING

- Do not attempt to disengage the hinge catches with the door(s) removed from the range. The hinge springs could release causing personal injury.
- Do not lift or carry the oven door(s) by the handle.

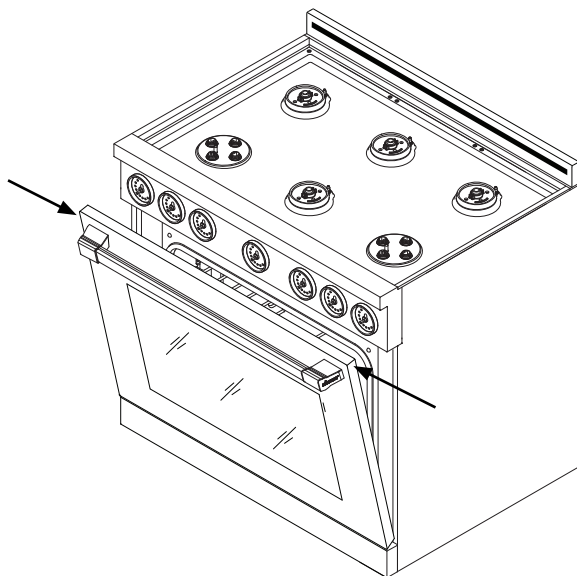
NOTE: When installing a backguard, always install it before sliding the range into place. See page 6.

To make the range easier to move, remove the door(s) to reduce weight.

1. Open the door to its fully opened position.
2. Use a pair of needle nose pliers and a flat blade screwdriver to rotate the catch over the retaining arm on each hinge.



3. Lift the oven door to about a 15° angle from the vertical position.
4. Hold the door with both hands just below the handle and pull it away from the oven while continuing to lift.



Door Gripping Points

Gas Connection

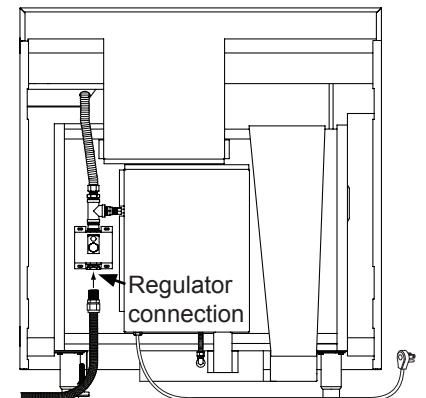
WARNING

- Make sure the gas supply valve is off and that the power cord to the range is disconnected prior to connecting the gas line.
- Do not apply excessive pressure when tightening gas connections and fittings.
- Do not use Teflon tape or plumber's putty on gas flex line connections.
- For LP installations, the LP gas tank must have its own high pressure regulator. This is in addition to the pressure regulator provided with the range.
- The maximum gas supply pressure to the regulator must never exceed 1/2 pound per square inch (psi) or 3.5 kPa.
- The range and shut-off valve must be disconnected from the gas supply piping during any pressure testing exceeding 1/2 psi (3.5 kPa).
- The range must be isolated from the gas supply piping by closing the shut-off valve during any pressure testing at or below 1/2 psi (3.5 kPa).
- Check all gas lines for leaks as instructed to avoid a fire or explosion hazard. Do not use a flame to check for leaks.

NOTE: The gas pressure regulator is pre-set at the factory for the type of gas intended for use with the appliance. To verify that the appliance is compatible with the type of gas available, check the range rating label (see inside cover for location). Ranges intended for use with LP gas will have "LP" as a part of the model number. Consult your dealer if the range is not compatible with the type of gas supplied.

Before sliding the range into the cabinet:

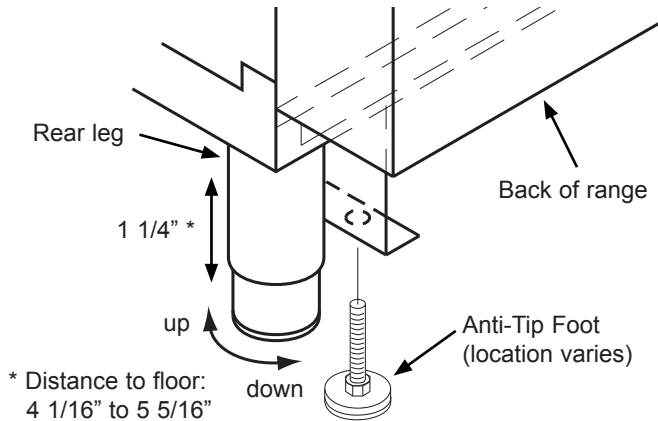
1. Make sure the gas supply valve is in the off position and that power to the range is off.
2. Connect a flexible gas supply line to the gas shut-off valve previously installed on the stub out. The gas line needs to be long enough to allow the range to be pulled out for service.
3. Slide the gas line up through the access holes in the chassis and up to the regulator. Move the wires around inside the access holes to prevent them from catching on the gas line as you push it up.
4. Connect the gas line to the regulator.
5. Turn all cooktop control valves to the "OFF" position. Turn on the gas supply.
6. Check all lines and connections for leaks using a soap and water solution.
7. After verifying that there are no gas leaks, turn off the gas supply valve connected to the range to the off position.



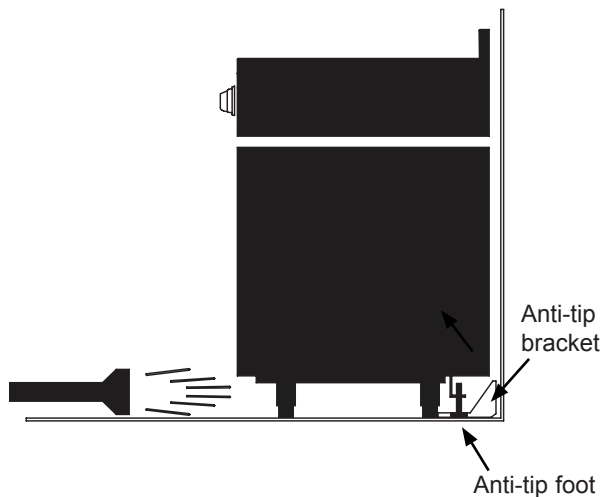
Installation Instructions

Final Installation

1. Peel the protective plastic coating off of the range, including the door.
2. Measure from the floor to the countertop. Adjust the leveling legs as required to position the trim around the cooktop even with or above the countertop.
3. Locate the anti-tip foot on the back of the range and lower (turn) it until it is $1/16"$ (2 mm) off the floor.



4. Carefully slide the range into position into the cutout. The anti-tip foot should engage the anti-tip bracket. Using a flashlight look underneath the range and verify that the bracket covers the anti-tip foot.



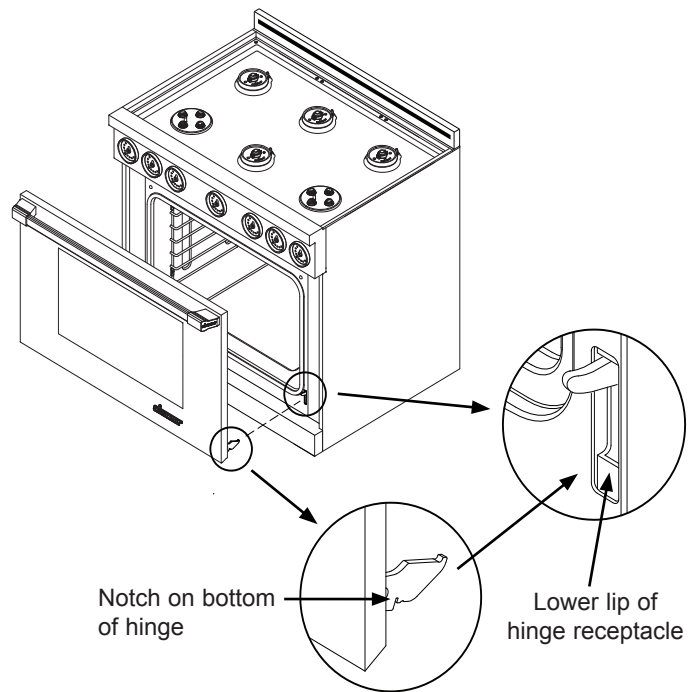
5. Use a level to make sure that the range does not tilt front to back or side to side. Re-adjust the legs to level and change the height if necessary.

Re-installing the Oven Door(s)

⚠ WARNING

To avoid personal injury or damage to the door from it falling off its hinges:

- Make sure that the notch on the bottom of each hinge rests on top of the lower lip of each hinge receptacle before attempting to open the oven door.
 - Rotate the hinge locks toward the front of the range immediately after installation of the door.
1. Grasp the oven door on opposite sides and hold it at a 15° angle from the front of the oven. Slide the hinges into the hinge openings, resting the bottom of the hinge arms on the hinge receptacles. Continue to hold the door at a 15° angle with one hand while pushing in on each of the bottom corners of the door. Push until the notch on the bottom of each hinge slips over the lower lip of each hinge receptacle.
 2. Lower the door to the fully opened position.
 3. Rotate both hinge locks toward the oven.
 4. Slowly and carefully open and close the door completely to ensure that it is properly installed.
 5. Remove any packaging from inside the oven(s).



Door Installation

Installation Instructions

Installing the Burner Knobs

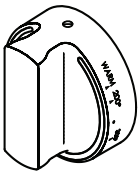
WARNING

Installing the range knobs in the wrong position may result in damage to the griddle included with the range. The knobs for the center burners are marked with the maximum griddle settings.

NOTE: When installing the knobs, align the “D” shaped opening on the back of the knob with the end of the valve shaft. Carefully push the knob on until it stops.

There are three (3) different types of knobs supplied with the range. The oven knob(s), has/have the word **BROIL** on them. The knobs for the middle burners have the words “**MAX GRIDDLE**” on them.

1. Put the oven knob(s) **A** on the oven valve shaft(s) as shown.



WARM 200° . 300° . 400° . 500° BROIL CLEAN

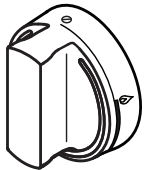
Oven Knobs **A**

2. Put the knobs with the words “**MAX GRIDDLE**” on them **B** onto the center burner valve shafts as shown.

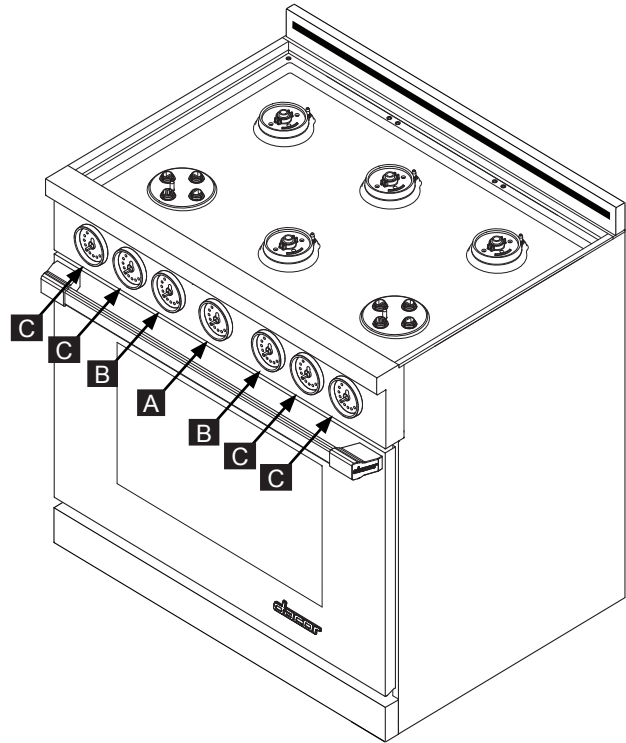


Icons on Center Burner Knobs **B**

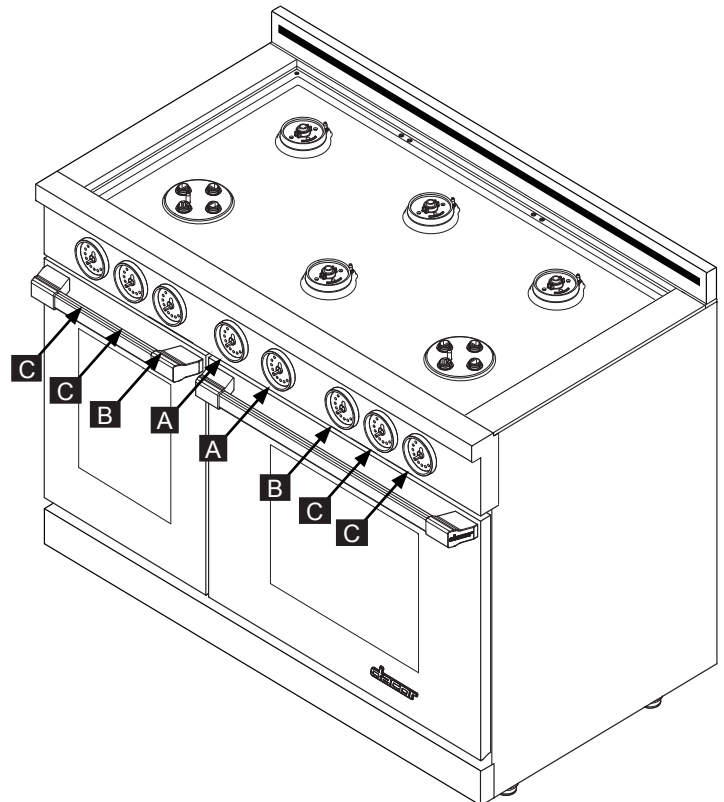
3. Put the remaining knobs **C** on the outer valve shafts as shown.



Icons on Outer Burner Knobs **C**



RNRP36G Knob Placement



RNRP48G Knob Placement

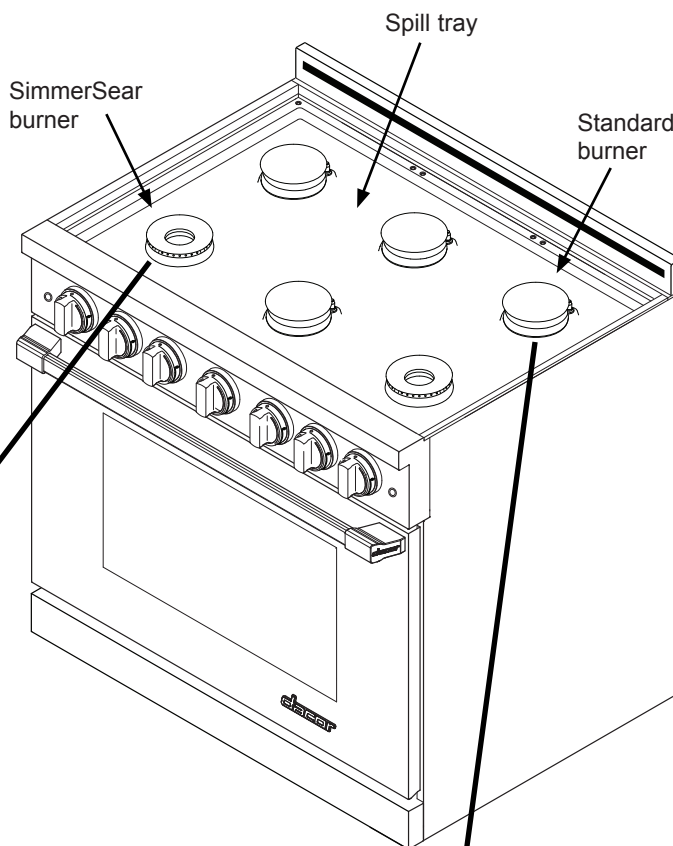
Installation Instructions

Cooktop Assembly

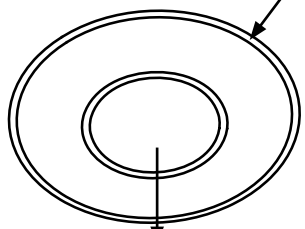
WARNING

Never attempt to operate the range's cooktop with any of the burner rings, burner caps or grates removed.

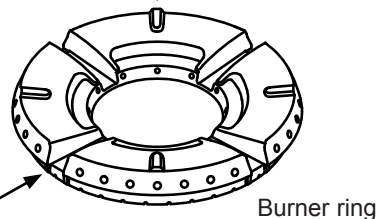
- Remove the burner rings, burner caps and grates from their shipping packages.
- Install the burners as shown. Either type (color) of the supplied burner caps may be used. When installing the burner components, twist each piece back and forth slightly until it drops completely into place. The burners will not operate properly unless all of the burner pieces are properly seated.
- Gently set the grates on top of the spill tray. Put the legs of each grate inside the corresponding dimples.



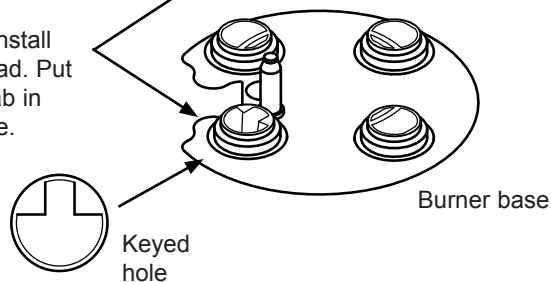
STEP 3: Install burner cap. Ridge on cap must surround top of ring.



STEP 2: Install burner ring. Line up ring tabs with head slots.

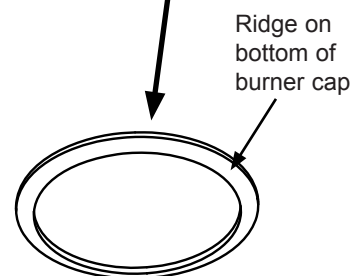


STEP 1: Install burner head. Put locating tab in keyed hole.

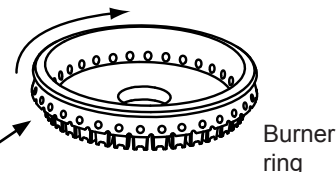


SimmerSear Burner Installation

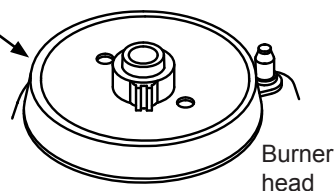
STEP 3: Install burner caps. Ridge on cap must surround top of ring.



STEP 2: Turn ring until it drops into place.



STEP 1: Put burner ring on top of head.



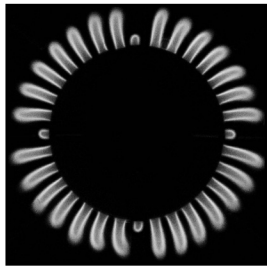
Standard Burner Installation

Installation Instructions

Verifying Proper Operation

Before operating the range, read the accompanying use and care manual completely. It contains Important safety, service and warranty information.

1. Before beginning the test procedure, ensure that all cooktop control valves are in the **OFF** position, and all burner rings, burner caps, and grates are properly positioned on the cooktop frame.
2. Turn on the gas supply at the shut-off valve.
3. Connect the power cord to the electrical outlet. When the range is first connected, the oven indicator light flashes on and off for about 10 seconds while the range's circuitry starts up. Wait for the light to stop flashing before going to step 4.
4. Test one of the burners by pushing the knob in and turning it counterclockwise to the **HIGH** position. It may take up to four seconds for ignition to occur, at which time the ignitor will stop sparking. If ignition does not occur within four seconds, turn off the knob, wait for at least five minutes to allow any gas to dissipate, then repeat the ignition test. After ignition, rotate the control knob counterclockwise from **HIGH** to **LOW** to adjust the flame height progressively. When the range is installed properly, the flame will be steady and quiet. It will also have a sharp, blue inner cone that will vary in length proportional to the burner size. Dacor's Smart Flame™ feature reduces the flame under the grate fingers to increase grate life. If the range is equipped for use with LP gas, the ends of the flame may be yellow at the tips, which is normal.



Normal Flame

5. Turn the control knob to the **OFF** position.
6. Repeat the ignition test for all remaining burners. After testing all the cooktop burners, turn them off.
7. Open the oven door(s). Test the oven light(s) by turning on the light switch(s) on the control panel.
8. Turn on the convection fan switch(s). You should hear the convection fan, located behind the screen at the back of the oven, come on.
9. With the oven door open, turn the oven control knob to the 400 degree position. Both the knob itself and the oven ON indicator light next to the knob should illuminate. Within 60 seconds you should hear the bake burner ignite below the oven floor. It should begin to give off heat.
10. Turn the oven control knob to the BROIL position. The bake burner should turn off. Both the oven control knob and the oven ON indicator light should be illuminated.
11. Within 60 seconds the IR burner on the ceiling of the oven should ignite and begin to give off heat.
12. Turn the oven knob to the "OFF" position. On model RNRP48G, test both ovens.



OFF Icon

If the range does not operate properly, follow these troubleshooting steps:

1. Verify that power and gas are supplied to the range.
2. Check the electrical connections and gas supply to ensure that the installation has been completed correctly.

3. Repeat the burner ignition test and/or oven test.
4. If the appliance still does not work, contact Dacor Distinctive Service at (800) 793-0093 ex. 2822. Do not attempt to repair the appliance yourself. Have the model and serial numbers available when you call. See inside cover for location.

Dacor is not responsible for the cost of correcting problems caused by a faulty installation.

Removing the Range for Service

1. Turn the gas supply valve to the off position.
2. Disconnect the power cord from the electrical outlet.
3. Pull the range out from the wall

Reinstalling the Range After Service

1. Push the range into operating position, making sure the anti-tip bracket is engaged (see page 10).
2. Connect the power cord to the electrical outlet.
3. Turn the gas supply valve to the on position.

Installation Checklist

WARNING

- To ensure a safe and proper installation, the following checklist should be completed by the installer to ensure that no part of the installation has been overlooked.
 - Proper installation is the responsibility of the homeowner. The importance of proper installation of your Dacor range cannot be overemphasized.
- Has the plastic coating been peeled off the outside of the range? Have all packaging materials been removed from inside the oven?
 - Are all leveling legs extended down to make contact with the floor? Is the unit level? See page 10.
 - Is the range secured in place with the provided anti-tip bracket and foot according to these instructions? See pages 6 and 10.
 - Has the gas supply inlet pressure been measured to ensure that it does not exceed the maximums stated in these instructions. See page 3.
 - Is the range connected to the gas supply according to these instructions and in accordance with all applicable codes? Did the installer check the gas supply for leaks?
 - Is the oven door properly installed according to these instructions? See page 10.
 - Have the burner knobs been installed in the proper locations? See page 11.
 - Are the burners assembled and grates properly installed according to these instructions? See page 12.
 - Has proper operation been verified? Has the warranty been activated on-line or the warranty card been filled out completely and mailed?

dacor[®]
The Life of the Kitchen.[®]

