

# RNRP30G, RNRP36G, RNRP48G



## Renaissance 30", 36" and 48" Gas Ranges

## PLANNING GUIDE

### Cabinet Layout

- All maximum and minimum dimensions and clearances shown in the diagrams below must be maintained for safe operation.
- The range should be placed away from drafts that may be caused by doors, windows and heating and air conditioning outlets.
- Avoid cabinet installations directly above the range. If cabinet storage is to be provided above the range, the risk can be reduced by installing a range hood that projects horizontally a minimum of 5 inches beyond the bottom of the cabinets.
- The range may be installed flush to the rear wall. Dacor strongly recommends installing a non-combustible material on the rear wall above the range and up to the vent hood or installation of a backguard.
- Any openings in the wall behind the appliance or in the floor underneath it must be sealed.

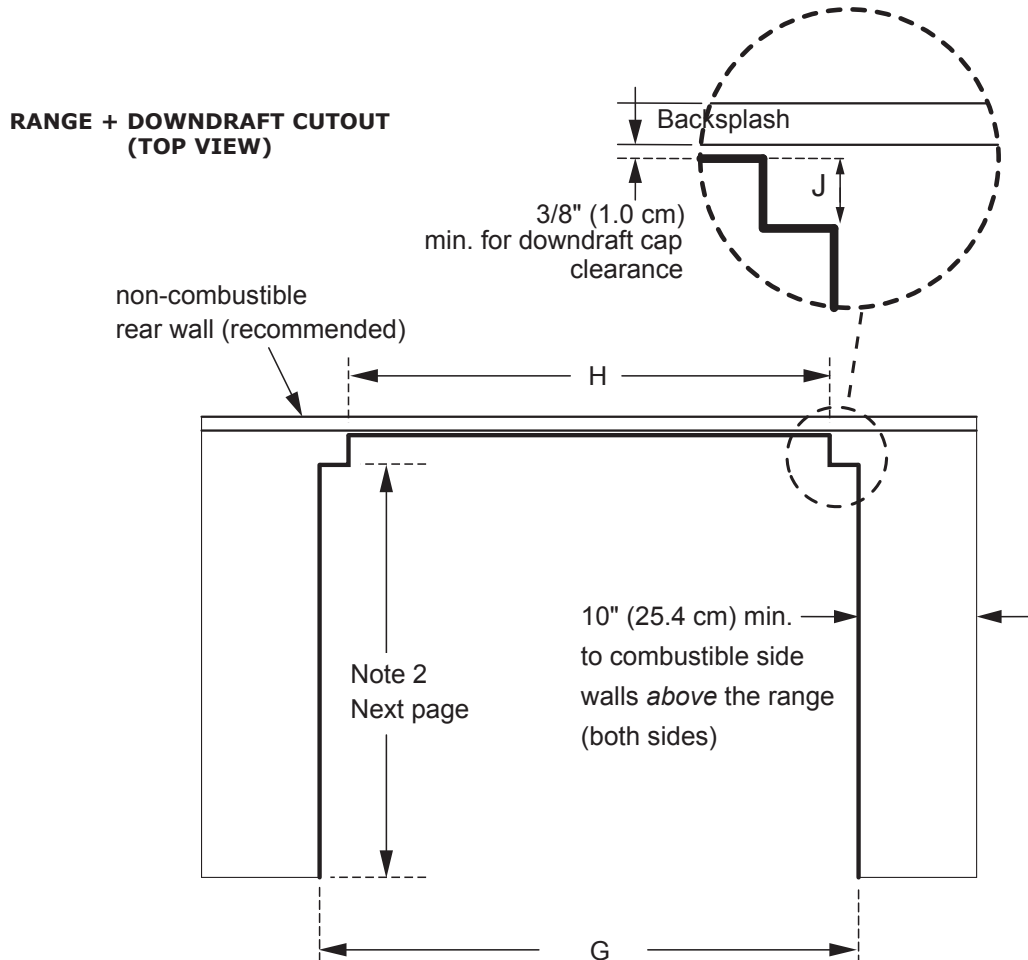
- The shaded area in the Recommended Cabinet Clearance Dimensions figure shows the recommended locations of the gas inlet and the electrical junction box. For replacement purposes, the location of the existing utilities may be used provided they do not interfere with the sides or rear of the range.
- The junction box and gas shut off valve must be located so that the range can be pulled out for service while the appliance remains connected.
- An external, manual shut-off valve must be installed between the gas inlet and the range for the purpose of turning on or shutting off gas to the appliance.

The installation must allow for the following:

- Access to the gas shut-off valve when the unit is installed.
- Access to the remote circuit breaker panel/fuse box, when the range is in place.
- The gas supply piping and shut-off valve, and the electrical junction box must be located so they do not interfere with the range when it is installed.

### DIMENSIONS: SEE TABLE ON FOLLOWING PAGE

Cutout tolerances: +1/16" 0" (1.6 mm)  
unless otherwise stated.



# RNRP30G, RNRP36G, RNRP48G



## Renaissance 30", 36" and 48" Gas Ranges

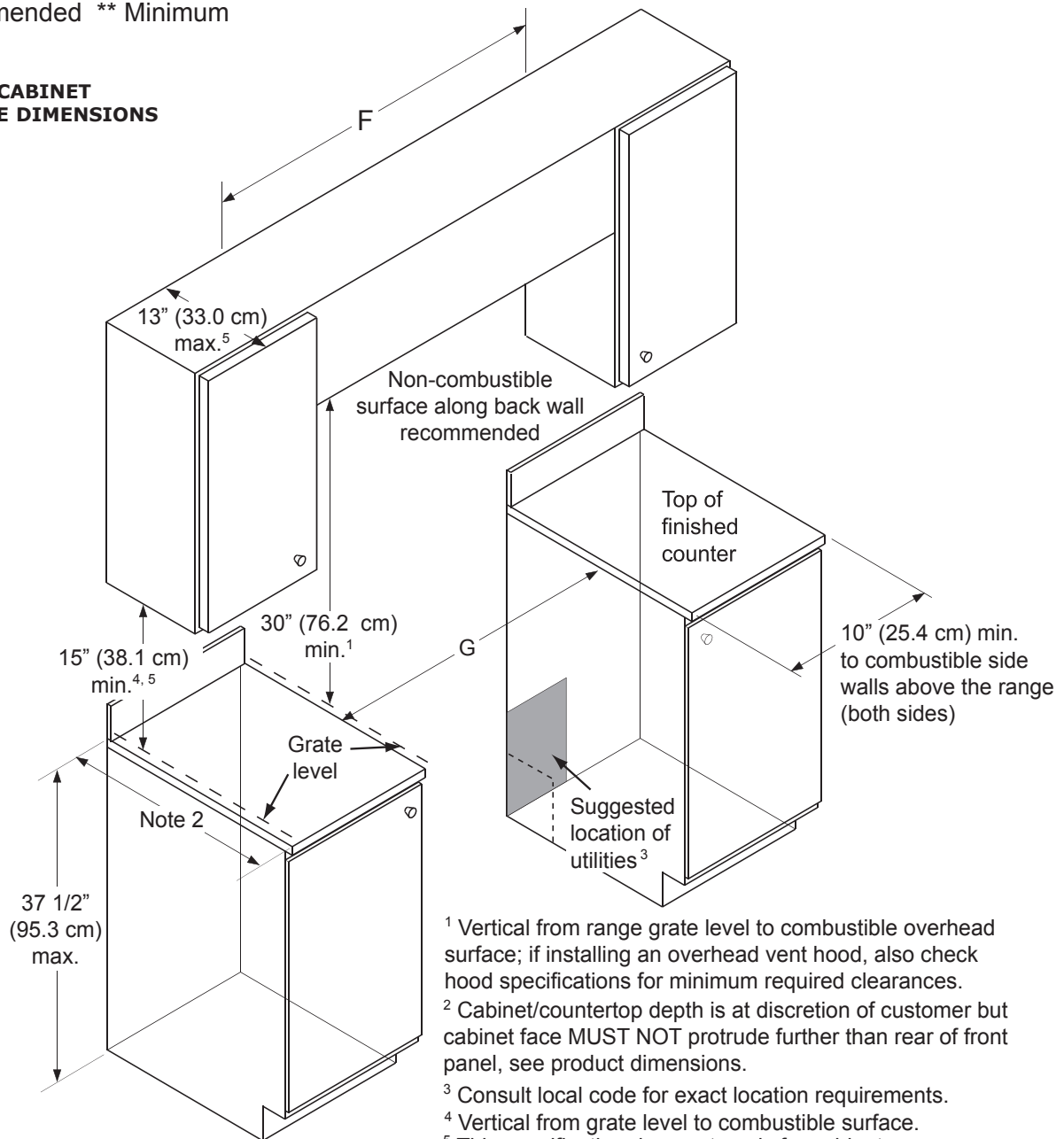
## PLANNING GUIDE

All tolerances +1/16" -0" (+1.6 mm) unless otherwise noted.

CUTOUT DIMENSIONS					
Range Model	F	G	H	I	J
RNRP30G	36" (91.4 cm) * 30" (76.2 cm) **	30" (76.2 cm) **	27 1/2"	30 1/2" (77.5 cm)	3 1/2" (8.9 cm)
RNRP36G	42" (106.7 cm) * 36" (91.4 cm) **	36" (91.4 cm) **	33 1/2" (84.8 cm)	30 7/8" (78.4 cm)	3" (7.6 cm)
RNRP48G	54" (137.2 cm) * 48" (121.9 cm) **	48" (121.9 cm) **	43 1/2" (110.2 cm)	29 7/8" (75.9 cm)	3" (7.6 cm)

\* Recommended \*\* Minimum

### MINIMUM CABINET CLEARANCE DIMENSIONS



<sup>1</sup> Vertical from range grate level to combustible overhead surface; if installing an overhead vent hood, also check hood specifications for minimum required clearances.

<sup>2</sup> Cabinet/countertop depth is at discretion of customer but cabinet face MUST NOT protrude further than rear of front panel, see product dimensions.

<sup>3</sup> Consult local code for exact location requirements.

<sup>4</sup> Vertical from grate level to combustible surface.

<sup>5</sup> This specification does not apply for cabinets more than a horizontal distance of 10" (25.4 cm) from the edge of the range.

# RNRP30G, RNRP36G, RNRP48G



## Renaissance 30", 36" and 48" Gas Ranges + ERV Downdrafts

## PLANNING GUIDE

### Product Dimensions

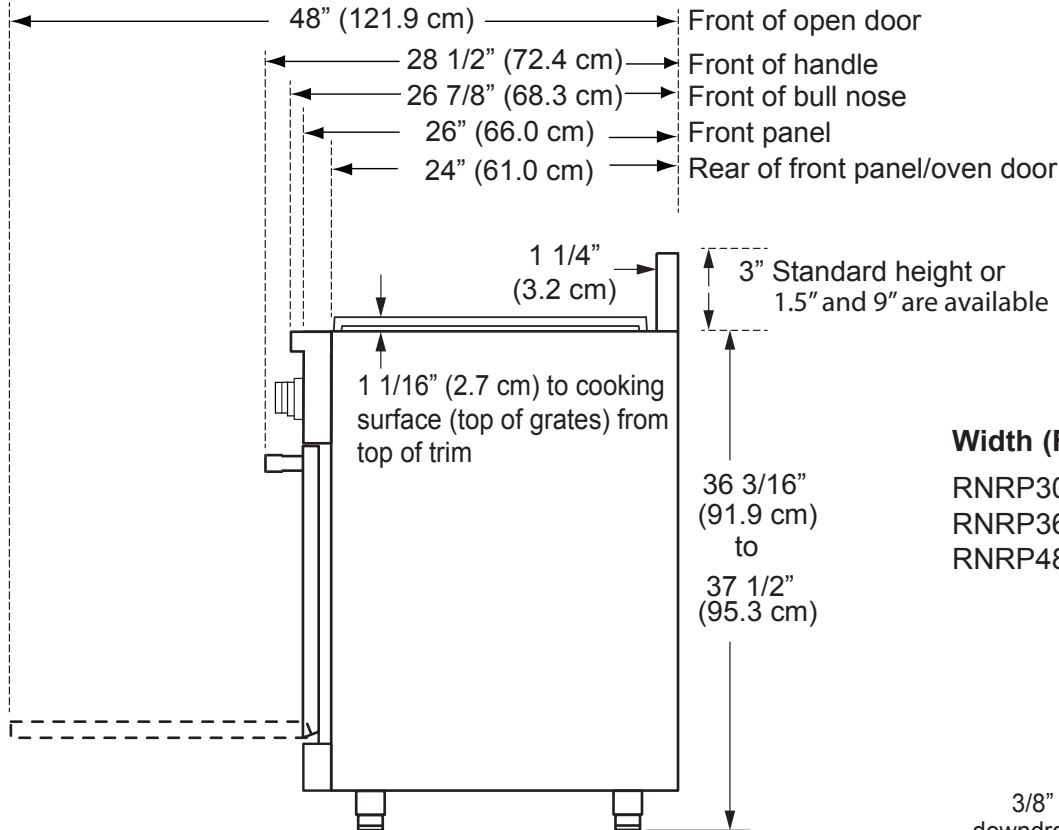
Product tolerances: +/- 1/16" (+/- 1.6 mm) unless otherwise stated

### Range Part Numbers

RNRP30G RNRP36G RNRP48G

### WARNING

- Observe all governing codes and ordinances during planning and installation. Contact your local building department for further information.
- This appliance must be installed in accordance with the accompanying installation instructions.



### Width (Front) Dimensions

RNRP30G	29 7/8" (75.9 cm)
RNRP36G	35 7/8" (91.1 cm)
RNRP48G	47 7/8" (121.6 cm)

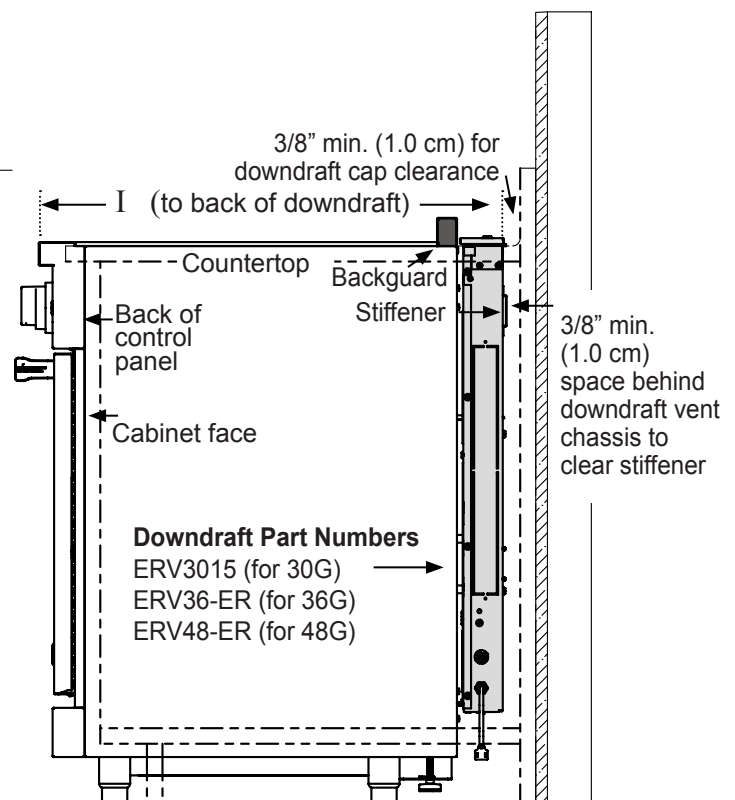
	RNRP30G	RNRP36G	RNRP48G
<b>Downdraft Model #</b>	ERV3015 plus Trim Kit # ATKERV-RP30	ERV36-ER	ERV48-ER
<b>1.5-inch Low Profile Backguard Accessory #</b>	APB30GLP	APB36GLP	APB48GLP

**IMPORTANT:** See the ERV downdraft installation instructions for duct and electrical requirements.

Use only the Dacor downdraft models specified in the table.

Trim kit accessory is required only on the 30-inch range + downdraft configuration.

RNRP ranges are shipped with a 3-inch backguard. A downdraft can be used; however, a 1.5-inch backguard is recommended.



# RNRP30G, RNRP36G, RNRP48G

Document # PG05-012

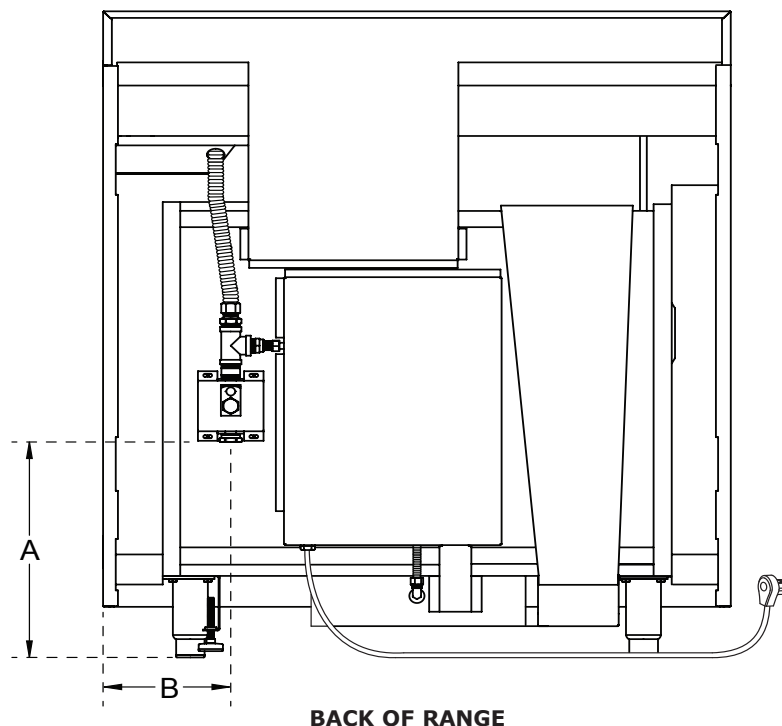
Revised 08/20/15 Page 4/4



## Renaissance 30", 36" and 48" Gas Ranges

## PLANNING GUIDE

### Electrical and Gas Requirements



Range Model	A	B
RNRP30G	13 1/16" to 14 3/8" (33.2 to 36.5 cm)	4 5/16" (12.16 cm)
RNRP36G	13 1/16" to 14 3/8" (33.2 to 36.5 cm)	7 5/16" (18.6 cm)
RNRP48G	13 1/16" to 14 3/8" (33.2 to 36.5 cm)	4 1/4" (10.8 cm)

GAS SUPPLY PRESSURE REQUIREMENTS			
Gas Type	Manifold Pressure* (WC)	Min. Gas Supply Pressure (WC)	Max. Input Pressure
Natural	5"	6"	1/2 psi
LP	10"	11"	1/2 psi

ELECTRICAL REQUIREMENTS	
For 30", 36" and 48" Ranges	
Electrical Circuit Required	Total Connected Load
120 Vac, 60 Hz, 15 Amp. Grounded, dedicated, 3-prong electrical outlet	5.0 Amps. @120 Vac, 60 Hz,

**IMPORTANT:** The information above is for reference only. If the above data does not agree with the product data label, use the data on the product data label on top of the kick plate below the door (see the installation instructions for location).

The range comes from the factory with the regulator installed. Use only the installed regulator. The regulator inlet accommodates a 3/4" gas line. The range ships with a 1/2" to 3/4" adapter connected to the regulator.