

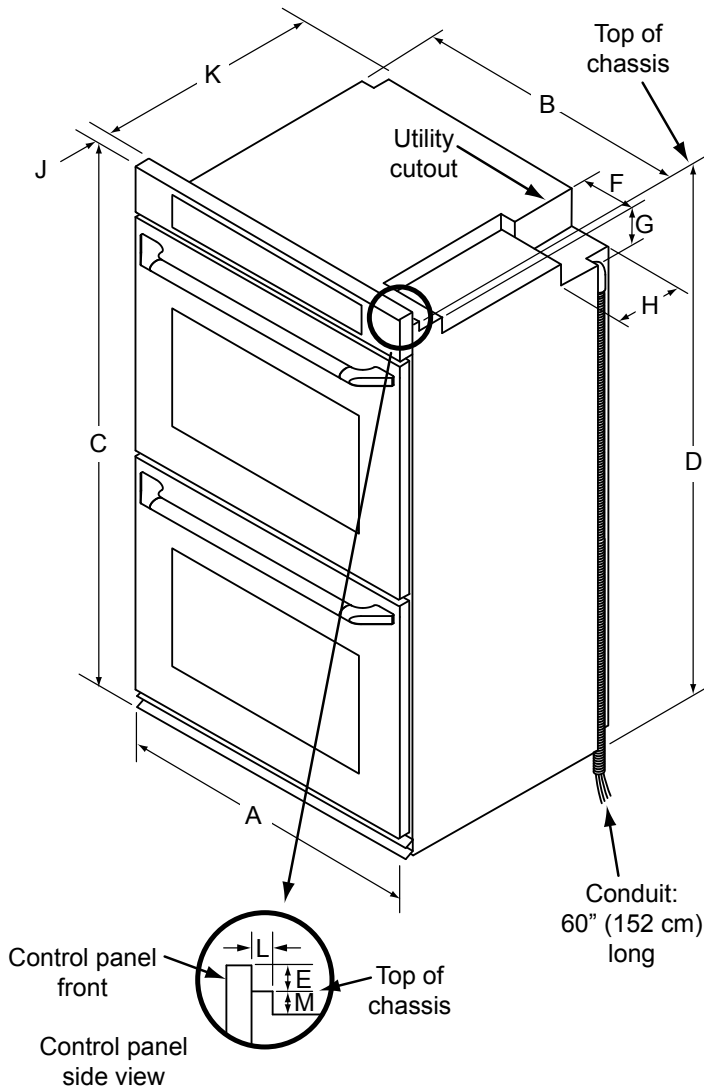
RNO, RNOV



Renaissance® 27" and 30" Wide Double Wall Ovens

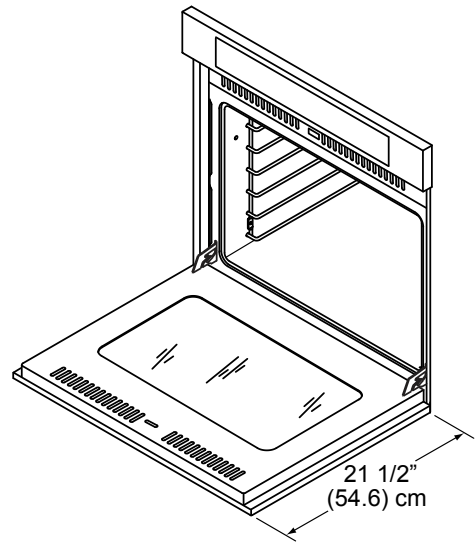
PLANNING GUIDE

Product tolerances: ±1/16" (±1.6 mm) unless otherwise stated



⚠ WARNING

- Observe all governing codes and ordinances during planning and installation. Contact your local building department for further information.
- This appliance must be installed in accordance with the accompanying installation instructions.



| ELECTRICAL SPECIFICATIONS | | |
|---------------------------|---------------------------------------|--------------------------------------|
| Model | Dedicated Circuit Requirements | Total Connected Load |
| RNO[V]227 | 240 Vac 60 Hz., 4-wire,*** 40 Amp. | 240 Vac 60 Hz, 39.4 Amp., 9.5 kW |
| RNO[V]230 | 240 Vac 60 Hz., 4-wire,*** 50 Amp. | 240 Vac 60 Hz, 48.6 Amp., 12.0 kW |

*** Two 120 Vac hot (L1 and L2), one neutral, one ground

The above specifications are for reference only. See the appliance data plate for exact specifications.

| Model | (A) Overall Width | (B) Chassis Width | (C) Overall Height | (D)* Chassis Height | (E) Control Panel Overlay |
|-----------|----------------------|----------------------|-----------------------|-----------------------|---------------------------|
| RNO[V]227 | 26 7/8" (68.3 cm) | 25 3/8" (64.5 cm) | 50 1/8" (127.3 cm) | 49 3/4" (126.4 cm) | 3/8" (1.0 cm) |
| RNO[V]230 | 29 7/8" (75.9 cm) | 28 3/8" (72.1 cm) | 50 1/8" (127.3 cm) | 49 3/4" (126.4 cm) | 3/8" (1.0 cm) |

* To top of chassis notch behind control panel

| (F) Utility Cutout Width | (G) Utility Cutout Height | (H) Utility Cutout Depth | (J) Control Panel Depth | (K) Chassis Depth | (L) Control Panel Notch Depth | (M) Notch Height |
|--------------------------|---------------------------|--------------------------|-------------------------|-------------------|-------------------------------|------------------|
| 6 1/2" (16.5 cm) | 5" (12.7 cm) | 7 7/8" (20.0 cm) | 3/4" (1.9 cm) | 24" (61.0 cm) | 1/2" (1.3 cm) | 3/4" (1.9 cm) |

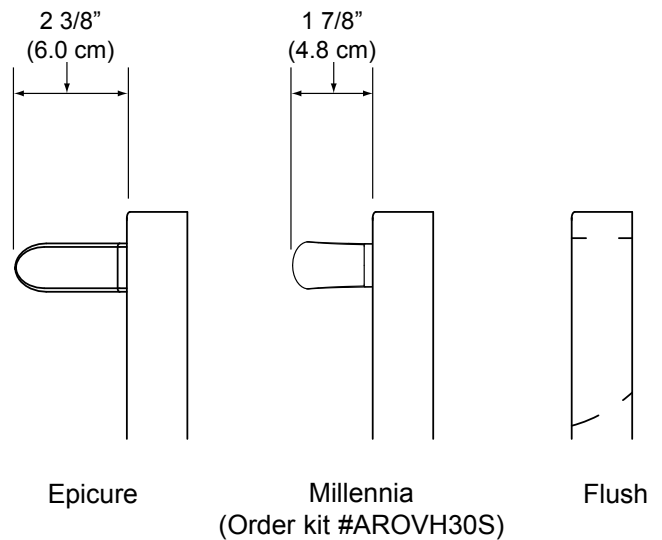
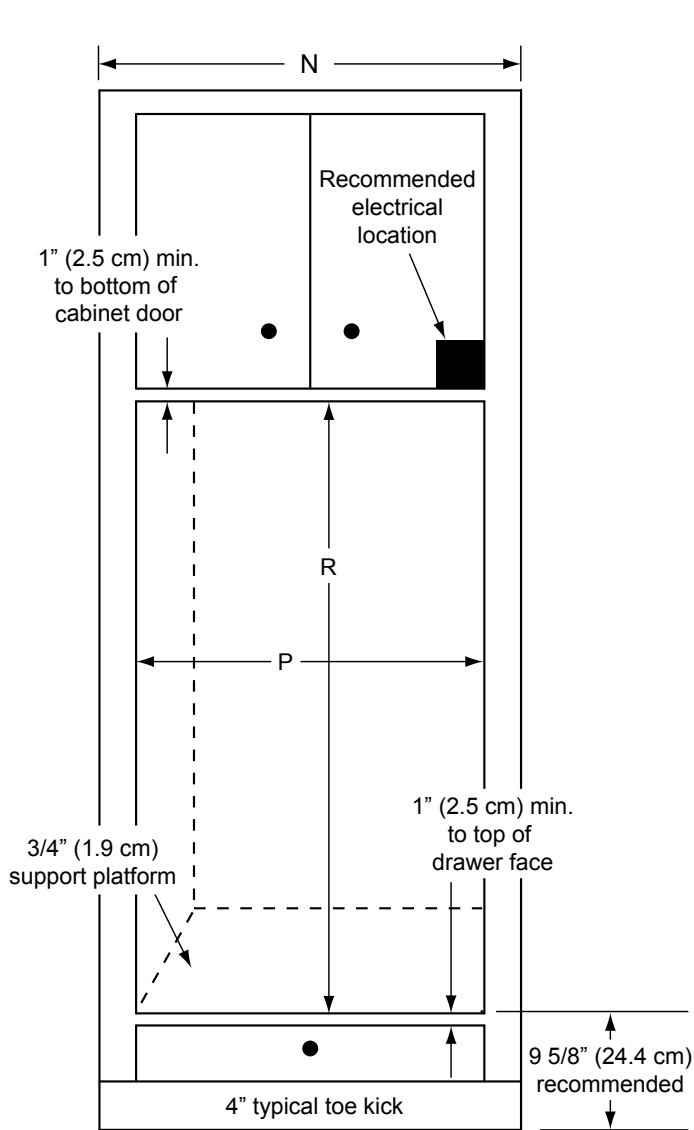


RNO, RNOV



Renaissance 27" and 30" Wide Double Wall Ovens

PLANNING GUIDE



Handle Dimensions

DOUBLE WALL OVEN - CUTOUT DIMENSIONS

| Model | (N) Minimum Cabinet Width | (P) Cut Out Width | (R) Minimum Cutout Height |
|-----------|---------------------------|----------------------------------------------------------------------|---------------------------|
| RNO[V]227 | 27" (68.6 cm) | 25 1/2" (64.8 cm) minimum (recommended) 26 1/8" (66.4 cm) maximum | 49 7/8" (126.7 cm) |
| RNO[V]230 | 30" (76.2 cm) | 28 1/2" (72.4 cm) minimum (recommended) 29 1/8" (74.0 cm) maximum | 49 7/8" (126.7 cm) |

Minimum interior cabinet depth: 24" (61.0 cm)