



## Installation Instructions

---

# Renaissance® Series Gas Cooktop

Models RNCT305G, RNCT365G

# Table of Contents

<b>Important Safety Instructions</b> .....	1	Downdraft Compatibility .....	6
Important Information About Safety Instructions .....	1	Verifying the Package Contents .....	8
General Safety Precautions .....	2	Installing the Cooktop.....	8
Electrical Requirements .....	3	Connecting the Gas Line.....	8
Gas Supply Requirements .....	3	Assembling the Burners .....	9
<b>Installation Specifications</b> .....	4	Verifying the Correct Setup .....	11
Product Dimensions .....	4	Installation Checklist.....	10
Cabinet and Countertop Layout .....	6	<b>Wiring Diagrams</b> .....	11

## Before You Begin...

### Important

**Installer:** In the interest of safety and to minimize problems, read this **Installation Instruction** manual completely and carefully before you begin the installation process.

- Leave this **Installation Instructions** with the consumer.
- Write the **Product Data Label** information inside the **Use and Care** manual for the consumer's future reference.

**Consumer:** Keep these **Installation Instructions** for future reference and for the local electrical inspector's use.

**Note:** Dacor® is not responsible for service required to correct a faulty installation.

## Customer Service Information

### If You Need Help...

If you have questions or problems with installation, contact your Dacor dealer or the Dacor Customer Service Team. For repairs to Dacor appliances under warranty call the Dacor Distinctive Service line. Whenever you call, have the model and serial number of the appliance ready. The model and serial number are printed on the product data label.

#### Dacor Customer Service

Phone: (800) 793-0093 ex. 2813 (U.S.A. and Canada)

Monday — Friday 6:00 A.M. to 5:00 P.M. Pacific Time

Website: [www.dacor.com](http://www.dacor.com)

#### Dacor Distinctive Service (repairs under warranty only)

Phone: (800) 793-0093, ex. 2822 (U.S.A. and Canada)

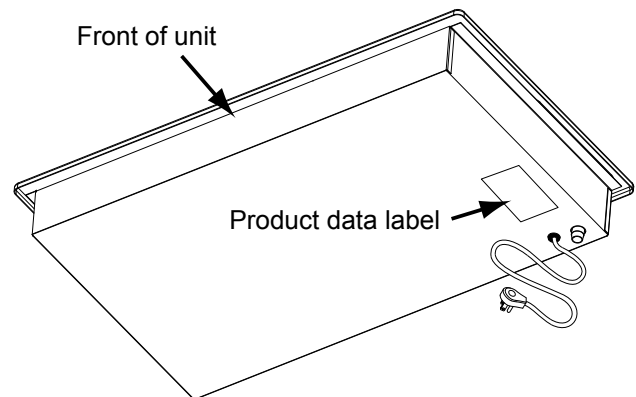
Monday — Friday 6:00 A.M. to 5:00 P.M. Pacific Time

### Product Data Label

The product data label is attached to the chassis, underneath the unit.

The label contains:

- the model number and serial number
- the electrical requirement and gas supply requirements



**Product Data Label Location**

All specifications are subject to change without notice. Dacor assumes no liability for changes to specifications.

© 2015 Dacor, all rights reserved.

# Important Safety Instructions

## Important Information About Safety Instructions

- The **Important Safety Instructions** and warnings in these instructions are not meant to cover all possible problems and conditions that can occur. Use common sense and caution when installing, maintaining or operating this or any other appliance.
- Always contact the Dacor Customer Service Team about problems and conditions that you don't understand. See **Customer Service Information**.

## Safety Symbols, Labels, and Alerts

These danger and warning alerts signal the reader to the risk of death or serious injury:

### **DANGER**

Immediate hazards that **WILL** result in severe personal injury or death.

### **WARNING**

Hazards or unsafe practices that **COULD** result in severe personal injury or death.

### **WARNING**

TO REDUCE THE RISK OF INJURY TO PERSONS IN THE EVENT OF A RANGE TOP GREASE FIRE:

- a. **SMOTHER FLAMES** with a close-fitting lid, cookie sheet or metal tray, then turn off the burner. **BE CAREFUL TO PREVENT BURNS.** If the flames do not go out immediately, **EVACUATE AND CALL THE FIRE DEPARTMENT.**
- b. **NEVER PICK UP A FLAMING PAN** - you may be burned.
- c. **DO NOT USE WATER**, including wet dish cloths or towels - a violent steam explosion may result.
- d. Use a fire extinguisher **ONLY** if:
  - ◇ You have a Class ABC extinguisher, and you already know how to operate it.
  - ◇ The fire is small and contained in the area where it started.
  - ◇ The fire department is being called.
  - ◇ You can fight the fire with your back to an exit.

### **DANGER**

**IMPORTANT:** If you smell gas:

- Do not use or light any appliance.
- Do not touch any electrical switch or use any electrical devices, including the telephone, in your building.
- From a neighbor's phone, immediately call the gas supplier. Follow the gas supplier's instructions.
- If you cannot contact the gas supplier, call the fire department.

### **DANGER**

**IMPORTANT:** Do not store or use combustible, flammable or explosive vapors and liquids (such as gasoline) on or in the vicinity of this or any other appliance. Also keep items that could explode, such as aerosol cans, away from the cooktop. Do not store flammable or explosive materials in adjacent cabinets or areas (including above and below the cooktop).

### **WARNING**

**WARNING: NEVER** use this appliance as a space heater to heat or warm the room. Doing so may result in carbon monoxide poisoning and overheating of the appliance.

### **WARNING**

**WARNING: NEVER** cover any slots, holes, or passages on the cooktop and cooktop chassis. Doing so blocks air flow through the cooktop and may cause carbon monoxide poisoning. Aluminum foil linings may also trap heat, causing a fire hazard. Keep all slots, holes, and passages clear of grease and grime.

### **CALIFORNIA PROPOSITION 65 WARNING**

The burning of gas cooking fuel generates some by-products that are on the list of substances which are known by the State of California to cause cancer or reproductive harm. California law requires businesses to warn customers of potential exposure to such substances. To minimize exposure to these substances, always operate this unit according to the Use and Care manual, ensuring you provide good ventilation when cooking with gas.

### **PROLONGED POWER FAILURE**

Do not attempt to use this appliance during a continuous power failure.

**READ AND SAVE THESE INSTRUCTIONS**

# Important Safety Instructions

## General Safety Precautions

To reduce the risk of fire, electric shock, or serious injury or death when using your appliance, follow basic safety precautions, including the following:

### **WARNING**

- Read the accompanying use and care manual completely before operating this appliance.
- Keep packaging materials away from children. Plastic sheets and bags can cause suffocation.
- If you receive a damaged product, immediately contact your dealer or builder. Do not install or use a damaged appliance.
- This cooktop must be properly installed and grounded by a qualified installer according to these installation instructions prior to use. The installer should show the customer the location of the gas shut off valve and the power cord so that they know where and how to turn off the gas supply and disconnect power to the cooktop.
- Do not install, repair or replace any part of the cooktop unless specifically recommended in the literature accompanying it. A qualified service technician should perform all other service.
- Before servicing or installing this cooktop, make sure that the gas supply is turned OFF at the gas supply valve and that the power plug is disconnected from the electrical outlet.
- Disconnect the power plug from the electrical outlet before cleaning. Clean this appliance only in the manner specified in the Use and Care Manual.
- Only use the cooktop for cooking tasks expected of a home appliance as outlined in the literature accompanying it. This cooktop is not intended for commercial or laboratory use.
- **DO NOT TOUCH THE SURFACES OF THE COOKTOP DURING OR IMMEDIATELY AFTER USE.**
- Do not operate this appliance if the power cord is damaged.
- Turn the knobs to the OFF position prior to removing them from the valve stems.
- Clean the cooktop thoroughly before operating it for the first time. Make sure that all the cooktop parts are dry before lighting a burner.
- To avoid a fire hazard, do not hang flammable or heat sensitive objects over the cooktop.
- Do not climb on any part of the appliance.

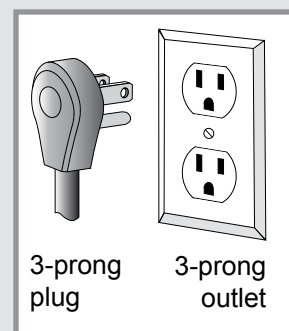
### **WARNING**

- Do not leave the cooktop unattended while in use to avoid the possibility of a fire.
- Do not leave children alone or unattended in the area around the cooktop. Do not allow children to play with the controls or touch other parts of the cooktop. Do not store items of interest to children on top of or above the cooktop. Children could be burned or injured while climbing on the appliance.
- Keep flammable items, such as paper, cardboard, plastic, and cloth away from the burners and other hot surfaces. Do not place such items on the cooktop. Do not allow pot holders to touch hot surfaces or gas burners.
- Do not wear loose or hanging apparel while using the cooktop. Do not allow clothing to come into contact with the cooktop and surrounding areas during and immediately after use.
- If the cooktop is near a window, do not use long curtains as window treatment. The curtains could blow over the cooktop and create a fire hazard.
- Do not use towels or bulky cloth as pot holders.
- Do not use the cooktop to heat sealed containers. The container and contents may explode, causing personal injury.
- Non-stick coatings, when heated, can be harmful to pet birds. Relocate pet birds to a separate, well-ventilated room when using the cooktop.

**IMPORTANT** - This appliance is equipped with a three-prong grounding plug for your protection against possible electric shock hazards. Plug it only into a dedicated, grounded three-prong electrical outlet. It is the responsibility of the customer to make sure the proper type of outlet is installed.

#### **Under any circumstances:**

- **DO NOT** cut or remove the third (ground) prong from the power cord.
- **DO NOT** use an adapter plug.
- **DO NOT** use an extension cord.
- **DO NOT** use a power cord that is frayed or damaged.
- **DO NOT** connect to an electrical outlet with a ground fault interrupter (GFI).



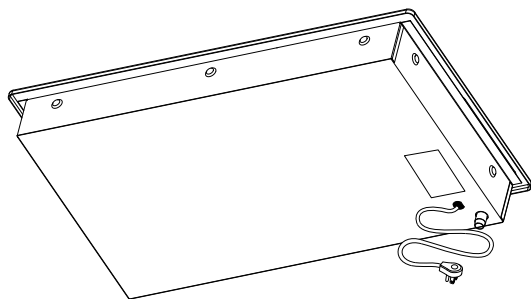
# Important Safety Instructions

## Electrical Requirements

### **WARNING**

To prevent an electric shock hazard, the power supply must meet the specifications stated below. It is the owner's responsibility to make sure that the electrical service meets electrical requirements and that the electrical outlet has been properly installed by a licensed electrician.

- The cooktop is supplied with a factory installed, 40-inch, three-prong, grounding electrical cord. It is connected to the chassis at the bottom right rear corner (see **Chassis Bottom Diagrams** below). It must be connected to a dedicated, grounded three-prong electrical outlet installed by a licensed electrician.
- The electrical installation, including minimum supply wire size and grounding, must be done in accordance with National Electric Code ANSI/NFPA 70\* and local codes and ordinances. A copy of this standard may be obtained from:  
National Fire Protection Association  
1 Batterymarch Park  
Quincy, MA 02269-9101
- The correct voltage, frequency, and amperage must be supplied to the electrical outlet according to the product data label located on the bottom of the chassis. See the **Gas and Electrical Requirements** table on this page for reference.
- Be certain to position the electrical outlet so that the power cord may be easily disconnected if the unit needs service.



**Chassis Bottom of RNCT305G  
RNCT365G**

## Gas Supply Requirements

- Be certain that the cooktop being installed is correct for the gas service being provided (Natural Gas or LP gas). Also, if using the cooktop at an altitude above 4000 ft. (1219 m) make sure it is equipped for high altitude ("H") operation.
- Units equipped for high altitude operation have an "H" at the end of the model number listed on the *product data label*.
- Units equipped for LP operation have "LP" in the model number listed on the product data label. See the **Product Data Label** section for label location.
- Check your local building codes for the proper method of installation. In the absence of local codes, this appliance should be installed in accordance with the National Fuel Gas Code ANSI Z223.1/NFPA 54.
- An external manual shut-off valve must be installed between the gas supply line and the cooktop for the purpose of turning on or shutting off gas to the appliance.
- The cooktop is shipped from the factory with a regulator in the carton. Use only the regulator provided. The regulator must be installed between the *gas inlet* on the cooktop and the *gas shut-off valve*.
- The regulator inlet accommodates a 3/4" gas line. The cooktop inlet itself is equipped with a 3/4" male NPT fitting.

See the **RNCT305G and RNCT365G** image on the left.

	<b>RNCT305G_NG RNCT365G_NG</b>	<b>RNCT305G_LP RNCT365G_LP</b>
Gas Type	Natural Gas	LP Gas
Manifold Pressure	5" Water column	10" Water column
Min. Gas Supply Pressure **	6" Water column	11" Water column
Max. Gas Supply Pressure	1/2 psi	1/2 psi
Total Connected Load	0.25 Amp. (30 Watts)	0.25 Amp. (30 Watts)
Circuit Requirement	120 Vac, 60 Hz, 15 Amp.	120 Vac, 60 Hz, 15 Amp.

### **Gas and Electrical Requirements\***

\* The electrical and gas data on this page is for reference only. If the above data does not agree with the product data label, *use the data on the product data label*.

\*\* The gas supply pressure for testing the regulator setting shall be at least 1-inch water column (249 Pa) above the specified manifold pressure.

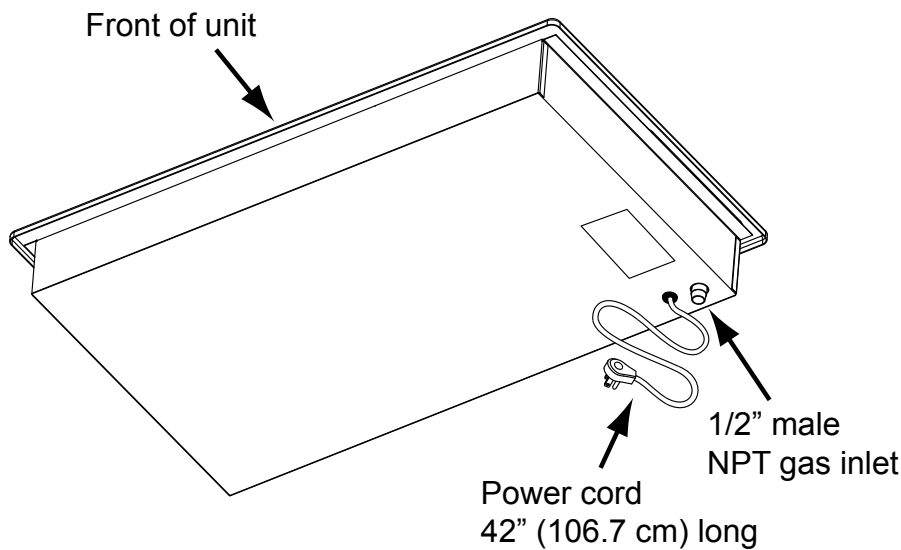
# Installation Specifications

## Product Dimensions

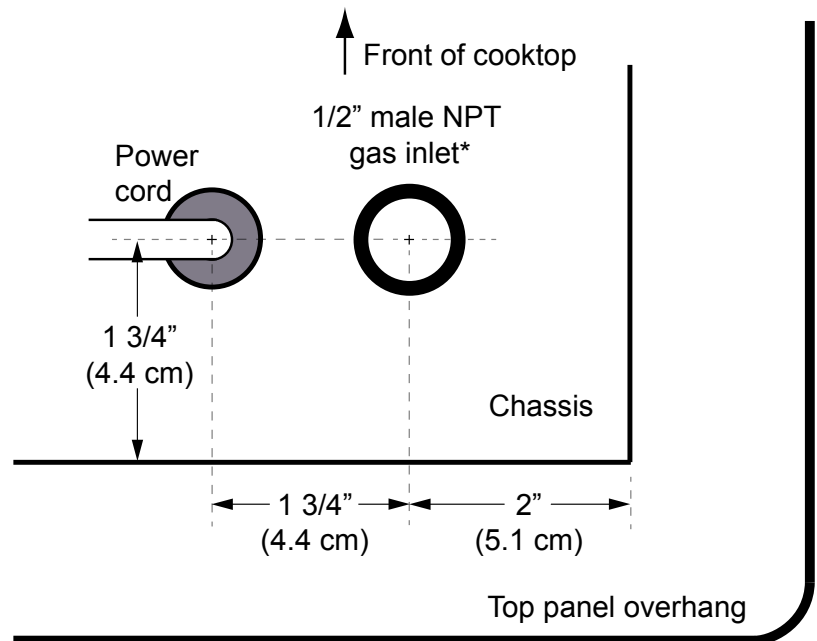
### **WARNING**

Observe all governing codes and ordinances during planning and installation. Contact your local building department for further information.

All tolerances:  $\pm 1/16"$  ( $\pm 1.6$  mm) unless otherwise noted.



### **RNCT305G and RNCT365G Utility Locations**



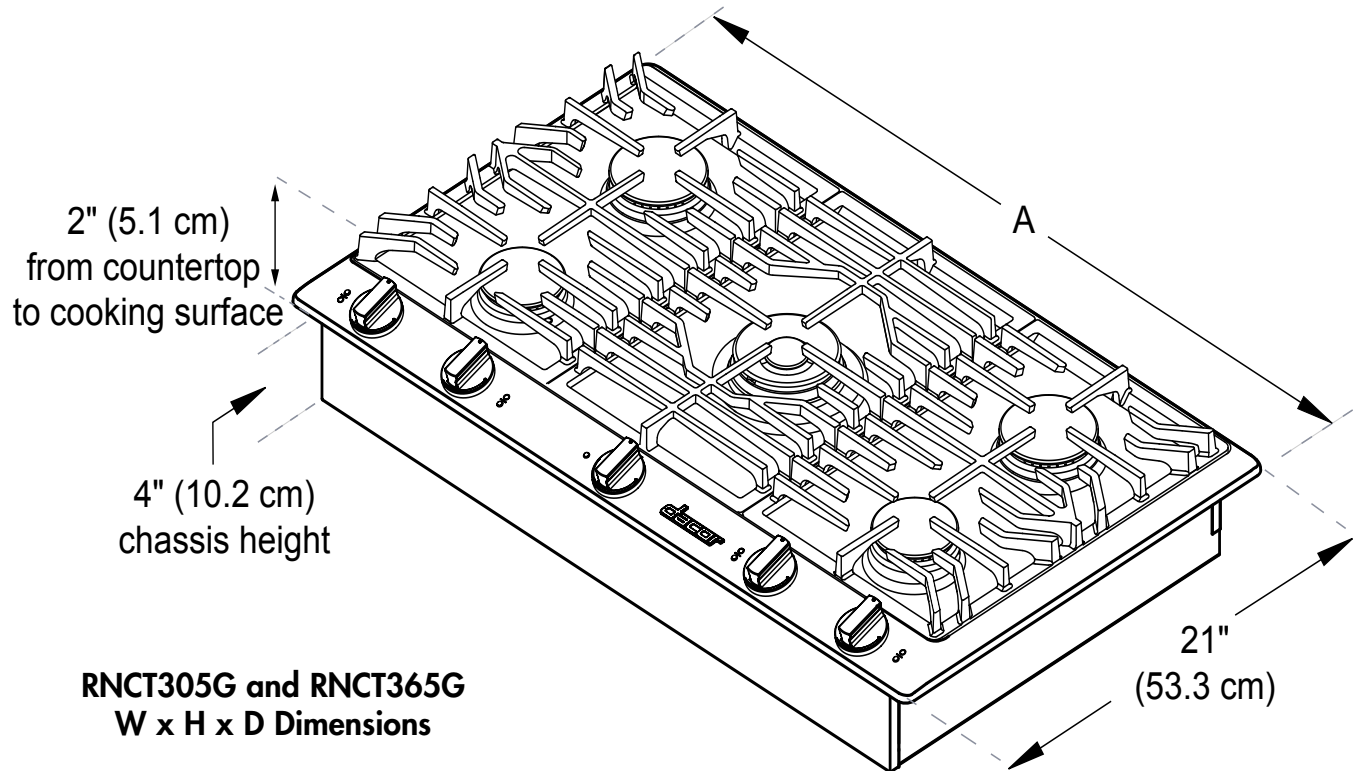
\*Gas inlet extends 1" (2.5 cm) from bottom

### **RNCT305G and RNCT365G Utility Dimensions**

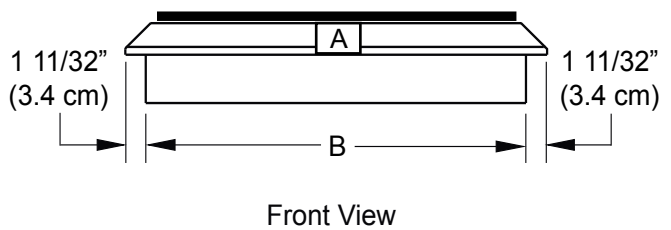
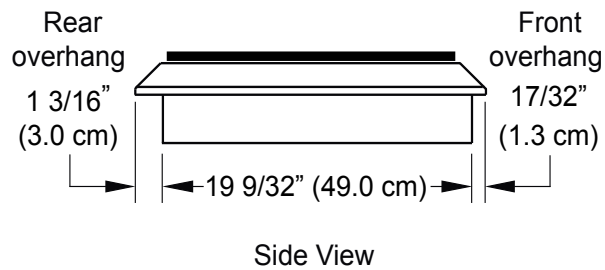
# Installation Specifications

## Product Dimensions

All tolerances  $\pm 1/16"$  ( $\pm 1.6$  mm)  
unless otherwise noted.



Model	A (width)	B (width)
RNCT305G	30" (76.2 cm)	27 5/16" (69.4 cm)
RNCT365G	36" (91.4 cm)	33 5/16" (84.6 cm)



## RNCT305G and RNCT365G Surface vs Chassis Overhang Dimensions

# Installation Specifications

## Cabinet and Countertop Layout

### **WARNING**

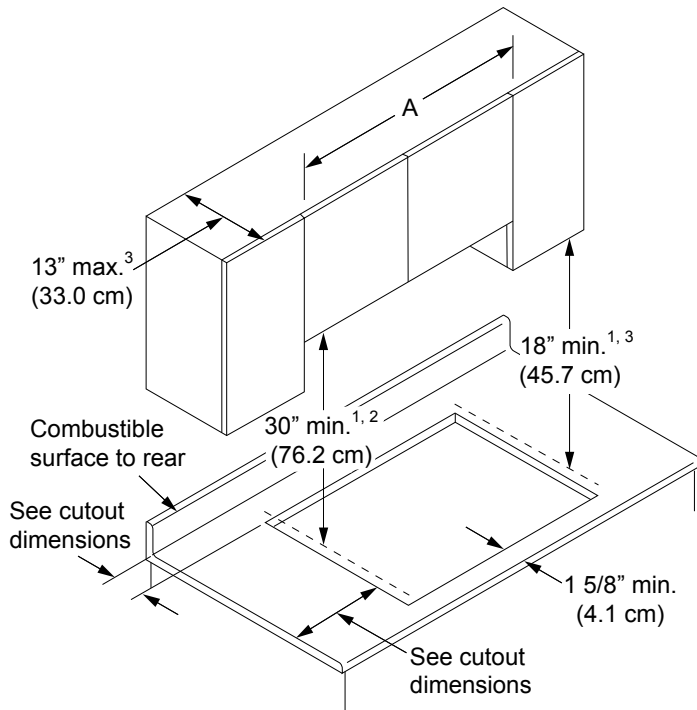
- To reduce the risk of personal injury caused by reaching over a hot appliance, avoid locating cabinet storage space directly above the cooktop.
- Failure to meet or exceed the maximum and minimum dimensions/clearances stated in these instructions may result in a fire hazard.
- Follow the countertop manufacturer's instructions regarding the minimum corner radius, use of heat reflective tape, reinforcement of corners, etc.

- Carefully check the location where the cooktop will be installed. For best performance, the cooktop should be placed away from drafts that may be caused by doors, windows, and heating and air conditioning vents.
- This appliance is to be used in conjunction with a suitable vent hood or approved Dacor downdraft vent.

### Minimum Required Clearances Around the Cooktop

Refer to the following illustrations, notes, and tables for clearance allowances.

All tolerances: +1/16" -0" unless otherwise noted.

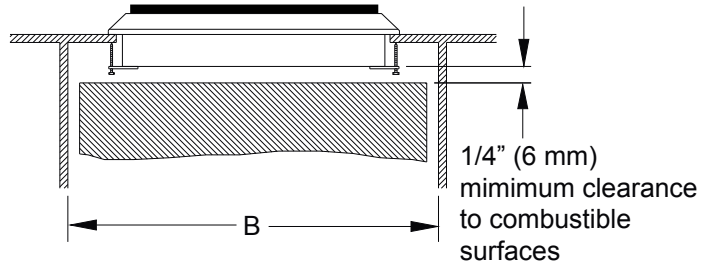


<sup>1</sup> Distance to combustible surfaces measured from cooking surface (top of cooktop grate).

<sup>2</sup> If installing with an overhead range hood, check the hood specifications for minimum required clearances.

<sup>3</sup> This specification does not apply for cabinets located greater than a horizontal distance of 5 1/2" (14.0 cm) from edge of cooktop. Allow 6 7/8" (17.5 cm) from cutout edge.

Model	(A) Minimum	(A) Recommended
RNCT305G	30" (76.2 cm)	36" (91.4 cm)
RNCT365G	36" (91.4 cm)	42" (106.7 cm)



\* Allows for clearance between hold down brackets

- Allow a minimum 1/4" (6 mm) clearance between the bottom of the cooktop chassis and all combustible surfaces, including the upper edge of a drawer installed below the cooktop.

Model	(B) Minimum
RNCT305G	29 1/4" (74.3 cm)
RNCT365G	35 1/4" (89.5 cm)

### Under Cabinet Clearances

- The gas supply piping, gas shut-off valve and the electrical outlet must be located so that they do not interfere with the cooktop when it is installed. If installing another appliance in the cabinet below, allow for the routing of gas and electrical service behind it.

### The installation must allow for the following:

- Access to the gas shut-off valve and regulator when the unit is installed.
- Access to the electrical outlet when the cooktop is in place. The 42" (106.7 cm) power cord must be able to reach the electrical outlet.
- Access to the underside of the cooktop for service and inspection purposes.
- Clearance inside the cabinet to allow for proper hold down bracket installation.

To allow access to the utilities and cooktop bottom, a fixed shelf should not be installed below the cooktop. See the following pages for countertop cutout dimensions.

### Downdraft Compatibility

If installing the cooktop with a downdraft, use only the approved Dacor downdraft model numbers below.

Cooktop Model	Approved Downdraft
RNCT305G	ERV3015
RNCT365G	ERV3615

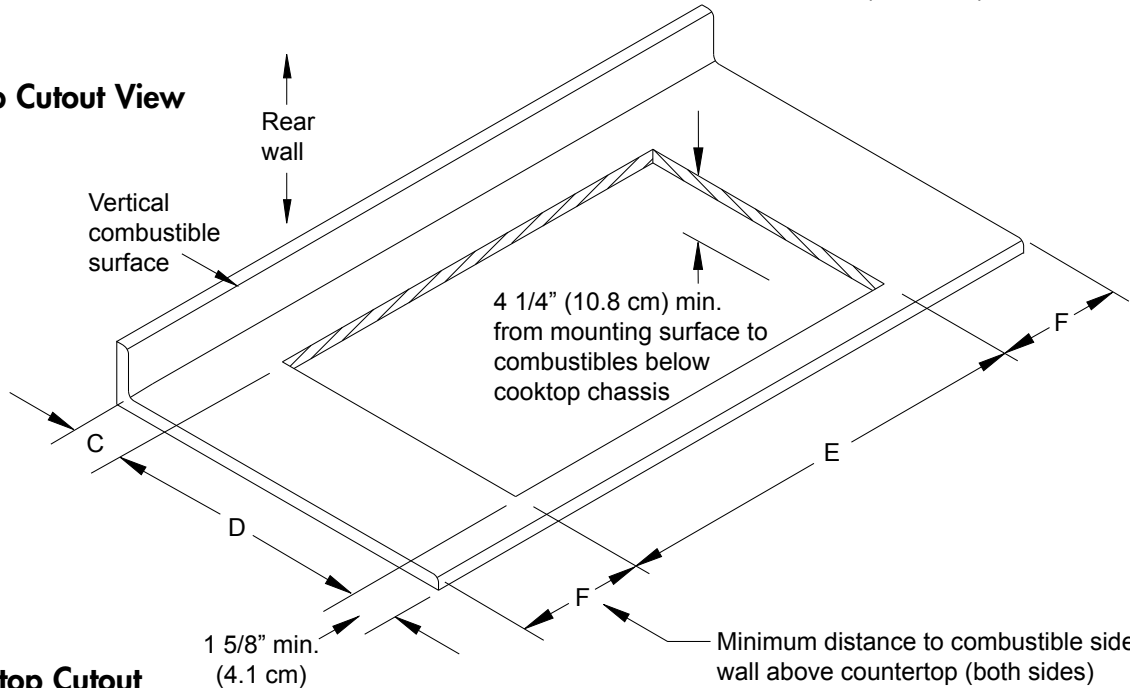


# Installation Specifications

## Cutout Dimensions

All tolerances +1/16" -0" (+1.6 mm) unless otherwise noted.

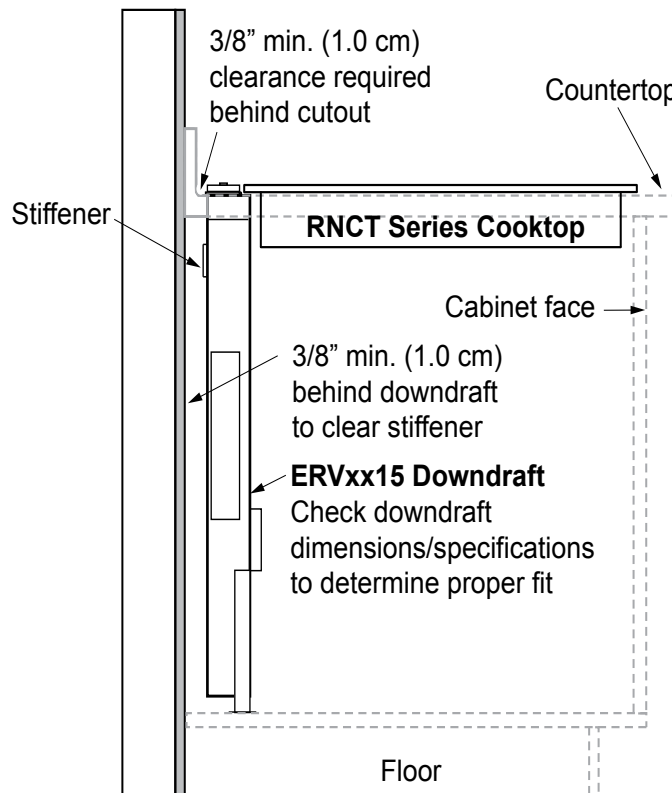
### Countertop Cutout View



### Countertop Cutout Dimensions

Configuration	(C) Minimum	(D)	(E)	(F) Minimum
RNCT305G with no downdraft	3 1/4" (8.3 cm)	19 5/8" (49.9 cm)	27 5/8" (70.2 cm)	6 7/8" (17.5 cm)
RNCT305G with ERV3015 downdraft	3/8" (1.0 cm)	22 3/4" (57.8 cm)	27 5/8" (70.2 cm)	
RNCT365G with no downdraft	3 1/4" (8.3 cm)	19 5/8" (49.9 cm)	33 5/8" (85.4 cm)	
RNCT365G with ERV3615 downdraft	3/8" (1.0 cm)	22 3/4" (57.8 cm)	33 5/8" (85.4 cm)	

### Cooktop with Downdraft: ERV Series



# Installation Instructions

## Verifying the Package Contents

- Hold-down brackets (2)
- Grates: (3)
- Burner sets: (5)
- Gas pressure regulator: (1)
- Stainless steel cleaner: (1)  
(stainless steel models only)

If any parts are missing, please refer to the Customer Service Information section on the inside cover.

## Installing the Cooktop

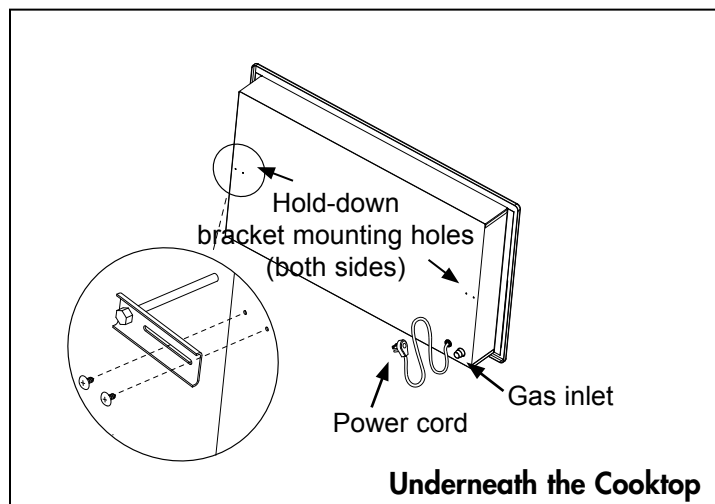
### WARNING

- Verify that the power supply meets the specifications on page 3 before proceeding.
- To prevent damage to the gas pressure regulator, install it only after the cooktop is mounted in its permanent position.

### IMPORTANT

- Do not over-tighten the hold-down bolts. Over tightening the hold down bolts may result in improper operation of the dual gas burners.
- Do not use a hardening compound or caulk to permanently seal the cooktop into place. The cooktop must be readily removable if service is required. Removal of sealant to service the unit will be performed at the customer's expense.

1. If the cooktop will be used with a downdraft, first install the downdraft according to the downdraft installation instructions.
2. Lower the cooktop into the cutout and center it.
3. Secure the cooktop to the countertop using the two (2) hold-down brackets as shown (included).



## Connecting the Gas Line

### WARNING

- Verify that the gas supply meets specifications before connection. See page 3.
- Do not install or use the cooktop without the included gas regulator installed.
- Ensure that the arrow on the regulator points in the direction of the gas flow, toward the cooktop.
- Do not apply excessive pressure when tightening gas connections and fittings.
- Do not use Teflon tape or plumber's putty on flexible gas line connections.
- Before use, test the gas lines for leaks as instructed. Do not use a flame to check for leaks.
- The maximum gas supply pressure to the regulator must never exceed 1/2 pounds per square inch (psi) or 3.5 kPa.
- The cooktop and shut-off valve must be disconnected from the gas supply piping system during any pressure testing exceeding 1/2 psi (3.5 kPa).
- The cooktop must be isolated from the gas supply piping system by closing the shut-off valve to the cooktop during any gas supply piping system pressure testing equal to or less than 1/2 psi (3.5 kPa).
- For LP gas installations, the LP gas tank must have its own high-pressure regulator in addition to the pressure regulator supplied with the cooktop.

Refer to the figure **Underneath the Cooktop** on the left while following these gas hookup instructions.

1. Attach the gas pressure regulator (included) to the gas inlet on the cooktop.
  - When working in tight space constraints, the regulator can be installed anywhere between the cooktop and gas supply/shut-off valve.
  - For best performance, attach the regulator as close as possible to the cooktop. This will minimize gas pressure loss.
2. Connect regulator to the gas supply/shut-off valve with a minimum 1/2" flexible gas line (not included).
3. Check for gas leaks:
  - ◇ Turn all cooktop control valves to OFF.
  - ◇ Make a soap and water solution or use a gas leak detector and check all lines and connections for gas leaks.
    - \* Make sure the gas supply/shut-off valve is ON.
  - ◇ Turn the gas supply/shut-off valve OFF.

# Installation Instructions

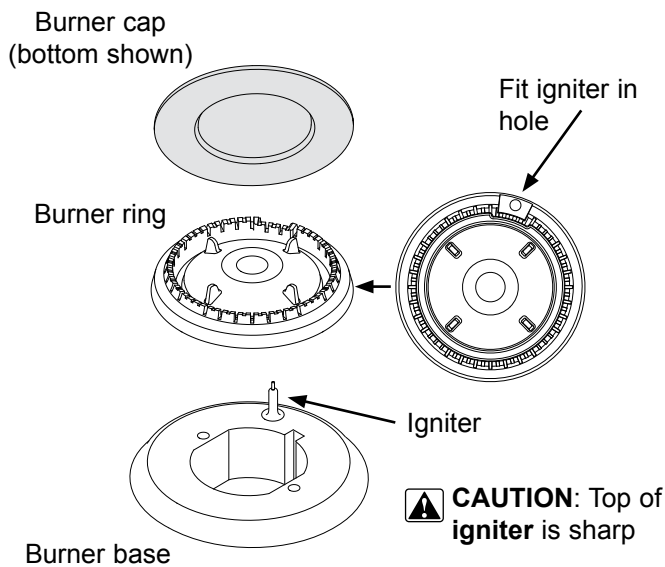
## Assembling the Burners

### WARNING

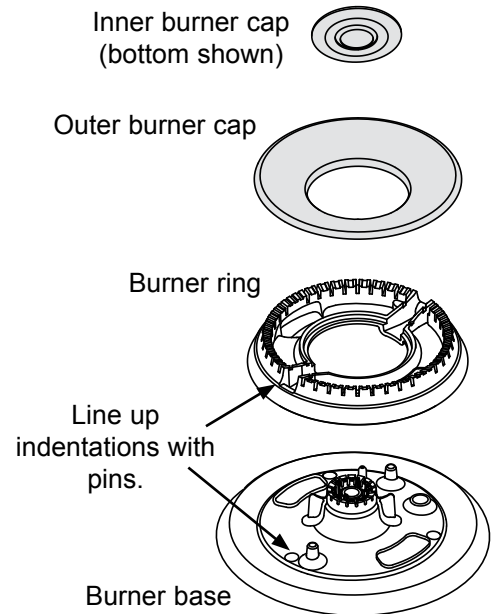
- Never attempt to operate the cooktop with any of the burner parts removed.
- Do not attempt to adjust the burner air mixture settings. All adjustments are preset at the factory.

1. Remove the burner heads, burner rings, burner caps, and grates from their shipping packages.
2. Assemble the burners as shown below. When assembling the burner components:
  - match the sizes of components together, i.e., the large burner cap with the large burner ring.
  - center and turn each piece back and forth until it drops completely into place.
  - *The burners will not properly function unless all of the burner pieces are correctly seated.*
3. Gently set the grates on top of the spill tray. Make sure that the feet are placed in the indentations located in the spill tray.

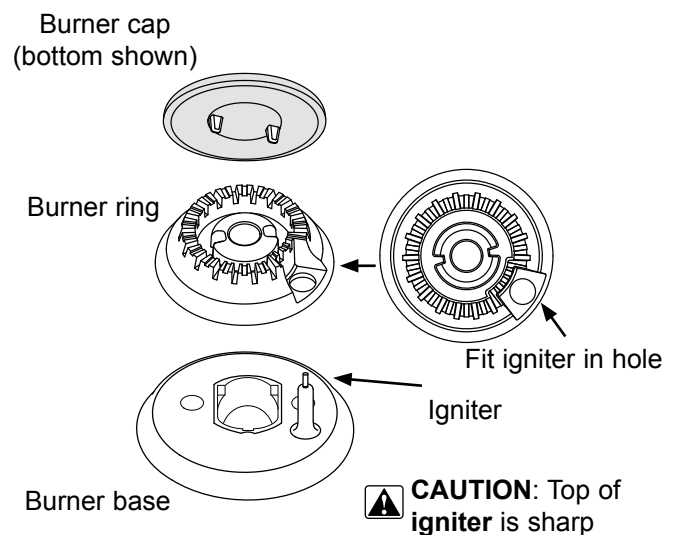
\* Model RNCT305G, has a different style of burner on the left, rear of the cooktop.



### Standard Burner Assembly



### SimmerSear™ Burner Assembly



### Standard Burner Assembly on the RNCT305G Left Rear Burner

The burner base is permanently attached to the unit and cannot be removed by the user.

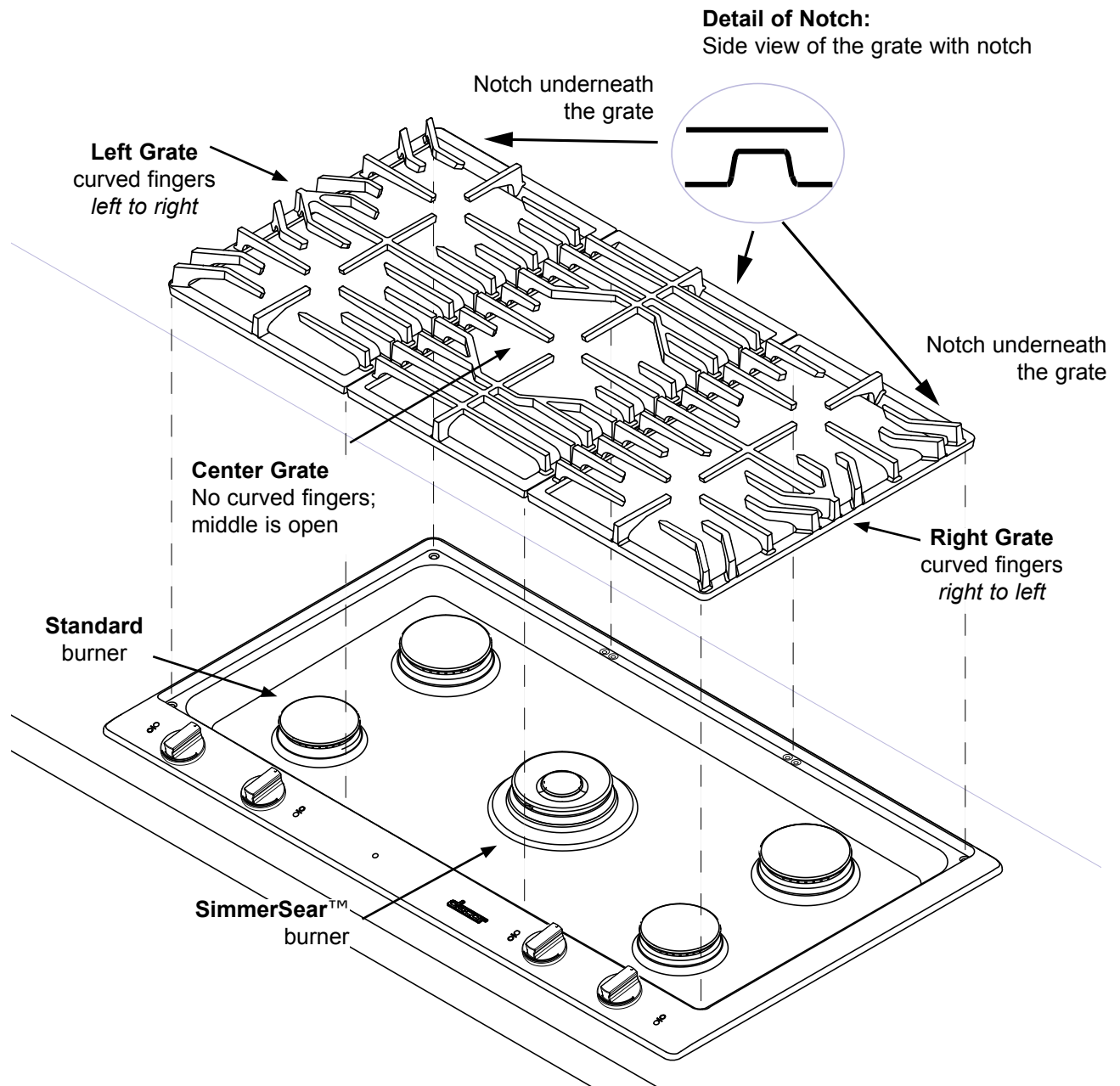
# Installation Instructions

## IMPORTANT:

Assemble the grates as instructed below. When installed correctly, the openings in the grates are centered over the burners.

1. Locate the notch on the bottom of each grate.
2. Use the notch on the bottom of each grate to determine where the grate is placed and orientated.
  - The notches underneath the grates fit in the back of the cooktop.
  - The notches on the left and right grates fit in the sides of the cooktop.
3. Gently lower the legs of the grates into their corresponding indentations on the cooktop.

**NOTE:** The burner and grate size vary with the model number.



**NOTE:** Burner and grate size vary with model

# Installation Instructions

## Verifying the Correct Setup

### **WARNING**

- Make sure that power to the electrical outlet is turned off at the circuit breaker panel or fuse box and that the gas is turned off at the gas supply valve before proceeding.
- The cooktop must be properly grounded at all times when electrical power is applied.

Prior to using the cooktop, read the accompanying **Use and Care Manual** carefully.

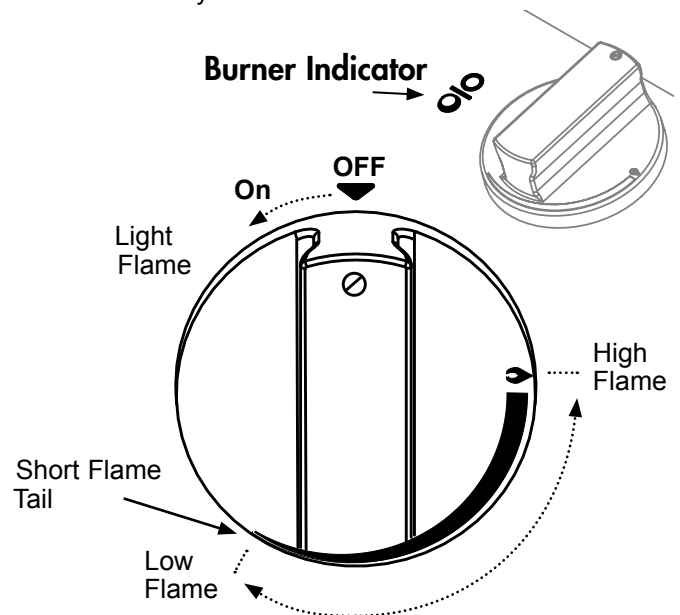
1. Make sure all the cooktop burner controls are in the **OFF** position.
2. Plug the power cord to an electrical outlet.
3. Turn the power ON to the electrical outlet at the circuit breaker or fuse box.
4. Press and turn ONE burner control knob slowly left to the **HIGH** position. Verify that the associated burner igniter *sparks*, and the burner indicator lights. Then return the knob to the **OFF** position. Repeat for all of the remaining control knobs.
5. Turn gas supply valve ON.
6. Perform this **IGNITION TEST** on all burners:
  - Press and turn the control knob slowly left to the **HIGH** position. Only the selected burner will spark. It may take up to four seconds for the burner to *ignite*, at which time the igniter will stop sparking. If ignition does not occur within four seconds, turn the knob OFF, wait for at least five minutes to allow any gas to dissipate, then repeat this step.
  - Once the burner lights, rotate the control knob from **HIGH** toward **LOW** to adjust the flame height. **SimmerSear™ burners:** turn the control knob to the simmer setting, and make sure the low-level flame can be adjusted. Make sure the burner indicator lights.
  - When the unit is installed correctly, the flame will burn steadily. It will have a sharp, blue inner cone that will vary in length proportional to the burner size. The flame will be reduced by the Smart Flame™ feature under the grate fingers to increase the life of the grate.



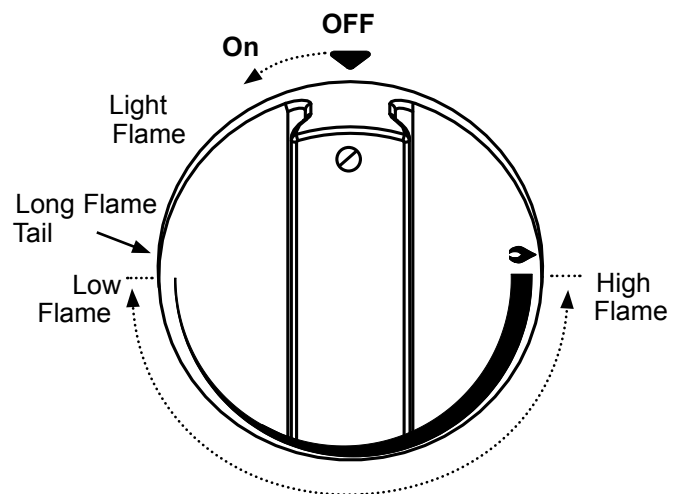
Correct Flame Appearance

**NOTE:** If the cooktop does not function correctly, follow these troubleshooting steps:

- Verify that power and gas are supplied to the cooktop.
- Check to make sure that the power cord is connected to an electrical outlet and that power is turned on at the circuit breaker, fuse box, or light switch.
- Check to make sure that all the burners are correctly assembled and seated.
- If the burner continues sparking after ignition, have a licensed electrician check the electrical outlet for correct grounding or reversed polarity.
- Repeat the IGNITION TEST (Step 6).
- If the appliance still does not work, contact Dacor Distinctive Service at (800) 793-0093, ex. 2822. Do not attempt to repair the appliance yourself. If you need service, be sure to have the model and serial number available when you call. Refer to the inside cover.



### Standard Burner Knob



### SimmerSear™ Burner Knob

# Installation Instructions

## Installation Checklist



### WARNING

To ensure a safe and proper installation, the following checklist should be completed by the installer to ensure that no part of the installation has been overlooked.

Proper installation is the responsibility of the homeowner. The importance of proper installation of your Dacor cooktop cannot be overemphasized.

- Is the electrical outlet for the cooktop grounded and located according to these instructions and in accordance with all applicable electrical codes? See page 3.
- Is the gas service for the cooktop located and installed according to these instructions and in accordance with all applicable codes? See page 3.
- Has the gas supply inlet pressure been measured to ensure that it does not exceed the maximums stated in these instructions? See page 3.
- Is the cooktop secured using the provided hold-down brackets? See page 8.
- Is the cooktop connected to the gas supply according to these instructions and in accordance with all applicable codes? Did the installer check the gas supply for leaks? See page 8.
- Are the burners and grates correctly assembled according to these instructions? See page 8-9.
- Has the correct setup been verified? See page 11.
- Has the warranty been activated on-line or the warranty card filled out completely and mailed?

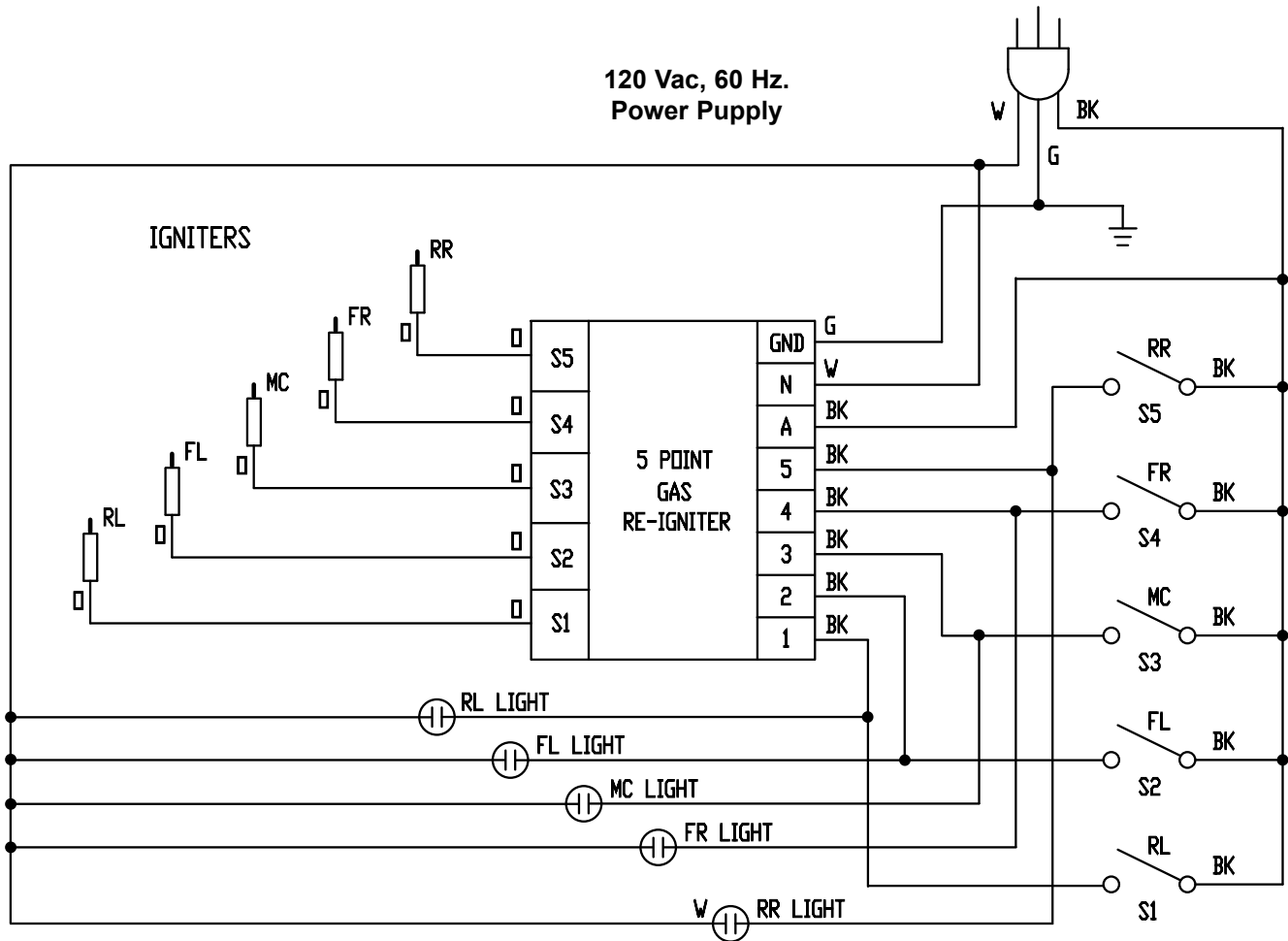
# Wiring Diagrams



## WARNING

Label all wires prior to disconnection when servicing controls. Miswiring can cause malfunction and dangerous operation.

Verify that the unit is working correctly after servicing.



Wiring Diagram: RNCT305G  
RNCT365G

***dacor***  
The Life of the Kitchen.®

