



# Installation Instructions

## Over The Range Convection Microwave Oven

PCOR30S

Part No. 107002 Rev. D

### Table of Contents

Before You Begin .....	1	Ventilation System (Preparing Oven for Installation)...	4
Mounting Space .....	1	Oven Installation.....	6
Wall Construction .....	1	Mounting Plate.....	6
Electrical Grounding Instructions .....	2	Mounting Oven to the Wall.....	6
Hood Exhaust Duct .....	2	Mounting Deflector.....	8
Tools Recommended for Installation.....	3	Check List for Installation .....	8
Installation Hardware .....	3		

# Before You Begin...

Please read all instructions thoroughly before installing the over the range microwave oven/hood system. Two people are recommended to install this product.

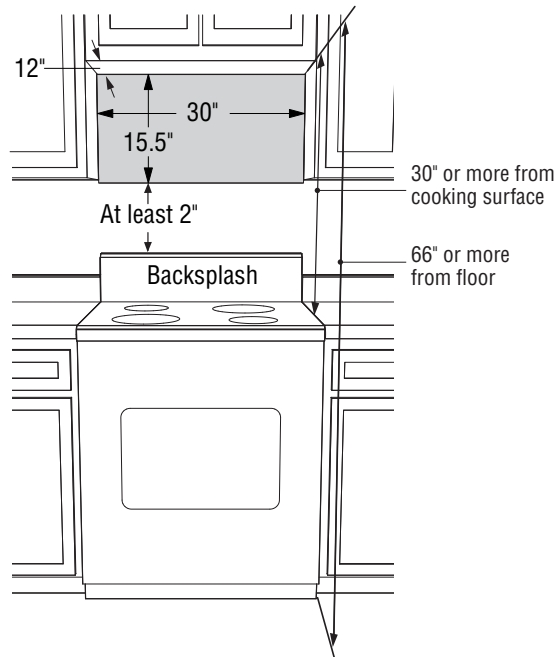
If a new electrical outlet is required, its installation should be completed by a qualified electrician before the over the range microwave oven/hood system is installed. See 3 ELECTRICAL GROUNDING INSTRUCTIONS on page 2.

## 1 MOUNTING SPACE

This microwave oven/hood requires a mounting space on a wall as shown in Figure 1. It is designed to be used with standard 12-inch wall cabinets.

Consult the installation instructions for the range or cooktop being installed for additional and/or superseding minimum distance requirements.

Figure 1



## 2 WALL CONSTRUCTION

This microwave oven/hood should be mounted against and supported by a flat vertical wall. The wall must be flat for proper installation. If the wall is not flat, use spacers to fill in the gaps. Wall construction should be a minimum of 2" x 4" wood studing and 3/8" or more thick dry wall or plaster/lath. The mounting surfaces must be capable of supporting a weight of 110 pounds—the oven and contents—AND the weight of all items which would normally be stored in the top cabinet above the unit.

The unit should be attached to a minimum of one 2" x 4" wall stud.

To find the location of the studs, one of the following methods may be used:

- A. Use a stud finder, a magnetic device which locates the nails in the stud.
- B. Use a hammer to tap lightly across the mounting surface to find a solid sound. This will indicate stud location.

The center of the stud can be located by probing the wall with a small nail to find the edges of the stud and then placing a mark halfway between the edges. The center of any adjacent studs will normally be 16" or 24" to either side of this mark.

### 3 ELECTRICAL GROUNDING INSTRUCTIONS

This appliance must be grounded. This oven is equipped with a cord having a grounding wire with a grounding plug. It must be plugged into a wall receptacle that is properly installed and grounded in accordance with the National Electrical Code and local codes and ordinances. In the event of an electrical short circuit, grounding reduces risk of electric shock by providing an escape wire for the electric current.

**⚠ WARNING** - Improper use of the grounding plug can result in a risk of electric shock.

#### Electrical Requirements

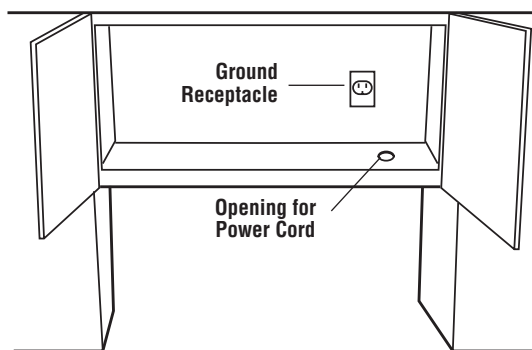
The oven is equipped with a 3-prong grounding plug. **DO NOT UNDER ANY CIRCUMSTANCES CUT OR REMOVE THE GROUNDING PIN FROM THE PLUG.**

The power supply cord and plug must be connected to a separate 120 Volt AC, 60 Hz, 15 Amp, or more branch circuit, single grounded receptacle. The receptacle should be located inside the cabinet directly above the microwave oven mounting location as shown in Figure 2.

#### NOTE:

1. If you have any questions about the grounding or electrical instructions, consult a qualified electrician or serviceperson.
2. Neither Dacor nor the dealer can accept any liability for damage to the oven or personal injury resulting from failure to observe the correct electrical connection procedures.

Figure 2



### 4 HOOD EXHAUST DUCT

When the hood is vented to the outside, a hood exhaust duct is required. All ductwork must be metal. Do not, under any circumstances, use plastic duct work. Check that all connections are made securely. Please read the following carefully:

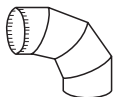


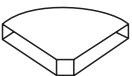
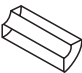

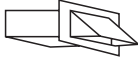

**Exhaust connection:** The hood exhaust has been designed to connect to a standard 3-1/4" X 10" rectangular duct. If round duct is required, a rectangular-to-round adaptor must be used.

**Rear exhaust:** If a rear or horizontal exhaust is to be used, care should be taken to align the exhaust with the space between the studs, or wall should be prepared at the time it is constructed by leaving enough space between wall studs to accommodate exhaust.

**Maximum duct length:** For satisfactory air movement, the total duct length of 3-1/4" X 10" rectangular or 6" diameter round duct should not exceed 140 feet.

Elbows, adapters, wall caps, roof caps, etc. present additional resistance to air flow and are equivalent to a section of straight duct which is longer than their actual physical size. When calculating the total length, add the equivalent lengths of all transitions and adapters plus the length of all straight duct sections. Figure 3 shows the approximate feet of equivalent length of some typical ductwork parts. Use the values in parentheses for calculating air flow resistance equivalent, which should total less than 140 feet.

Figure 3

 90° ELBOW (10 FT.)	 45° ELBOW (5 FT.)	 ADAPTOR (5 FT.)	 10" WIDE ELBOW (10 FT.)
 90° ELBOW (25 FT.)	 45° ELBOW (5 FT.)	 WALL CAP (40 FT.)	 ROOF CAP (24 FT.)

## 5 TOOLS RECOMMENDED FOR INSTALLATION

- Phillips screwdriver
- Electric drill
- 1/2", 5/8" and 3/32" drill bits
- 1-1/2" wood bit or metal hole cutter (if metal cabinet is used)
- Saw to cut exhaust opening (if needed)
- Protective drop cloth for product and range - you may also use carton for protection
- Scissors
- Pencil
- Tape measure
- Tape

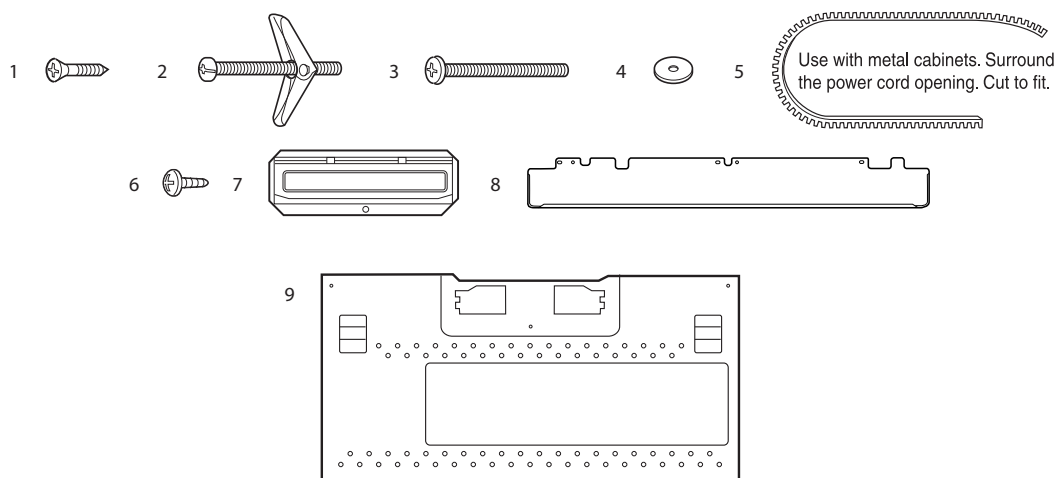
## 6 INSTALLATION HARDWARE

The installation hardware (items 1 - 8 ) packed with the oven should contain the following:

ITEM	NAME	QUANTITY
1	Wood Screw 5 x 30 mm	6
2	Toggle Bolt 3/16 inch	4
3	Top Cabinet Screw 5 x 60 mm	2
4	Flat Washer 30 mm diameter	2
5	Grommet	1
6	Tapping Screw 4 x 12 mm	4
7	Exhaust Damper Assembly	1
8	Deflector	1
9	Mounting Plate	1

**Figure 4**

Parts shown not to common scale.



The following items should also be included with the microwave-hood: grease filters (2), charcoal filter, turntable support, turntable (glass), Use & Care Manual, Dacor Convection Microwave Cookbook, Warranty card, turntable racks (2), wall template, top cabinet template

## 7 VENTILATION SYSTEM (PREPARING OVEN FOR INSTALLATION)

This microwave oven/hood is designed for adaptation to three types of hood ventilation systems. Select the type required for your installation.

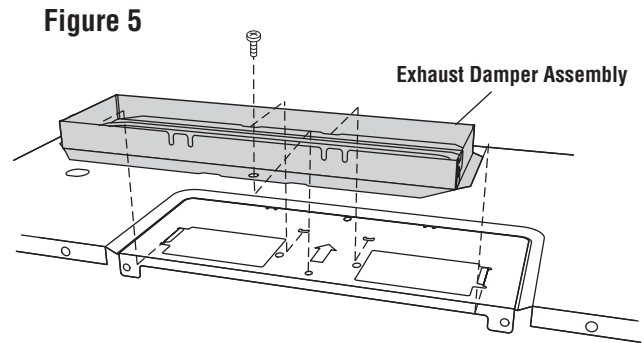
**Vertical Exhaust** — outside ventilation. Follow installation procedure (A).

**Horizontal Exhaust** — outside ventilation. Follow installation procedure (B).

**Recirculating** — non-vented, ductless. Follow installation procedure (C). Recirculating requires the use of the included charcoal filter.

### (A) VERTICAL EXHAUST: OUTSIDE VENTILATION

The unit is shipped assembled for vertical exhaust. Attach the exhaust damper assembly to the fan cover on the top of the outercase cabinet by sliding it into the slits in the same direction as the arrow mark. Using a tapping screw 4x12 from the installation hardware, tighten into place. See Fig 5.



### (B) HORIZONTAL EXHAUST: OUTSIDE VENTILATION

1. Remove and save 4 screws that hold fan cover in place. Remove fan cover bracket as shown in Fig 6.
2. Remove hood fan unit carefully and slip wires out of wire box. Rotate hood fan unit 90° so that exhaust ports are facing rear of oven unit. See Fig 7.

**⚠ CAUTION:** Do not pull or stretch hood fan wiring.

3. Replace hood fan unit into the oven unit. Be careful not to pinch the lead wire between the inner bracket and the hood fan unit. See Fig 8.
4. Put the lead wire into wire box.
5. Replace the fan cover bracket. Make sure the fan blades are visible through the rear openings in the oven before proceeding. Attach fan cover bracket to unit with 4 existing screws. See Fig 9. The hood fan unit is now rotated for horizontal exhaust operation.
6. Locate the mounting plate and attach the exhaust damper assembly to the back of the mounting plate by sliding it into the slits in the same direction as the arrow. See Fig 10. Using a tapping screw 4x12 from the installation hardware, tighten into place.

Figure 6

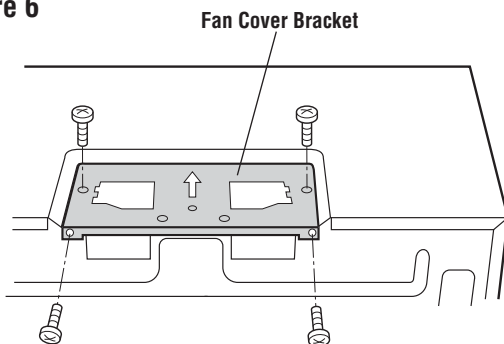
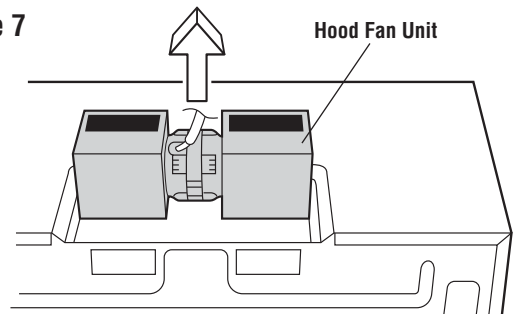
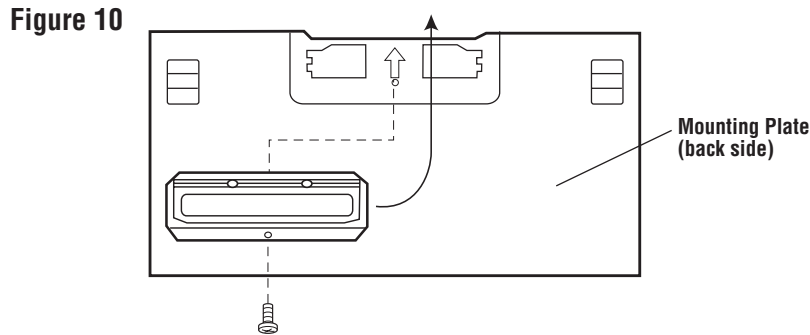
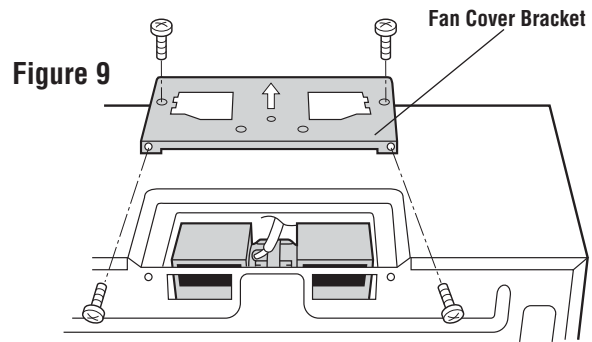
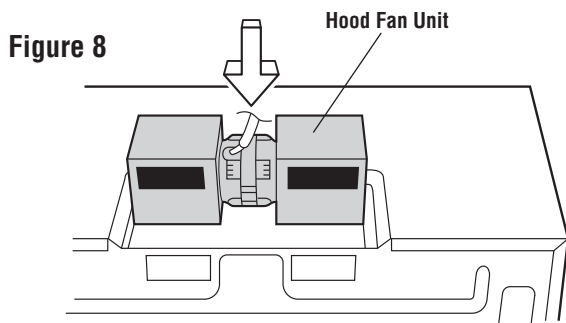


Figure 7





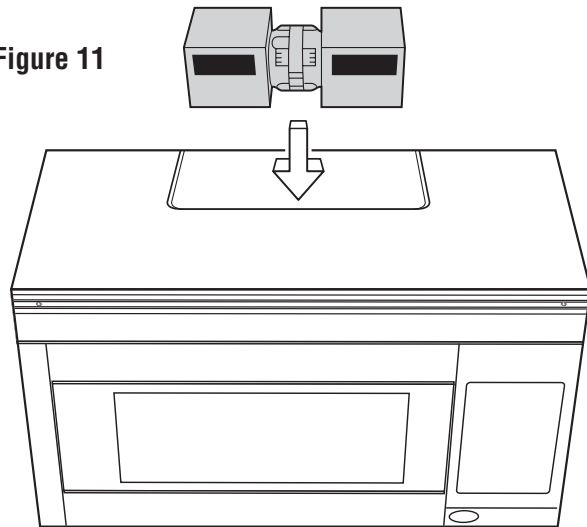
### (C) RECIRCULATING: Non-Vented, Ductless Operation

1. Remove and save 4 fan cover screws and fan cover bracket as shown in Fig. 6.
2. Remove hood fan unit. See Fig. 7.
3. Rotate hood fan unit/end-over-end, then rotate it 90° (1/4 turn) so that exhaust ports faces toward front of oven unit. The fan blades should be visible through the openings facing toward the front of the oven.
4. Replace hood fan unit into oven unit as shown in Fig. 11.
5. Put the lead wire into the box.
6. Replace the fan cover bracket. If the cover does not fit properly, the hood fan unit is improperly placed. Check steps 3 and 4 again.
7. Attach the fan cover bracket to the oven unit with 4 existing screws as shown in Fig. 9.

#### NOTE:

The exhaust damper assembly is not required for recirculating exhaust.

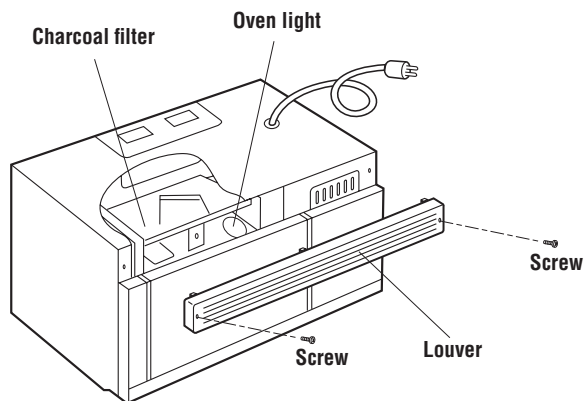
**Figure 11**



### CHARCOAL FILTER

Charcoal Filter is used for non-vented, recirculated installation. The filter should be changed every 6 to 12 months depending on use.

1. Disconnect power to the oven at the circuit breaker panel or by unplugging.
2. Remove 2 screws that secure louver.
3. Pull the louver away from the oven.
4. Slide charcoal filter into position on support tabs.
5. Push louver back into place and gently snap tabs into place by hand and replace the 2 screws to secure louver.



## 8 OVEN INSTALLATION

IMPORTANT: THIS OVEN CANNOT BE PROPERLY INSTALLED WITHOUT REFERRING TO THE MOUNTING INSTRUCTIONS FOUND ON WALL AND TOP CABINET TEMPLATES.

### MOUNTING PLATE

1. Separate 4 toggle bolts, packed in the installation hardware, from the toggle nuts.
2. Use wood screws to attach mounting plate to the stud or studs. Use toggle bolts to attach mounting plate through hole locations A, B, C and D on template UNLESS THOSE HOLES ARE LOCATED ON THE STUD. Insert one toggle bolts into A, B, C and D where appropriate and put the toggle nuts onto the toggle bolts. See Fig. 12.

Refer to instructions in wall template.

3. Position the mounting plate with the toggle bolts attached at the wall location and insert toggle nuts and bolts through the holes in the wall with the toggle nuts closed. See Fig. 13. Use included wood screws to attach the mounting plate to studs.

NOTE: Before insertion, be sure you leave a space more than the thickness of the wall between the mounting plate and the end of each of the toggle nuts (in the closed position). If you do not leave enough space, the toggle nut will not be able to open on the other side of the wall. **Also, once a toggle nut opens, it cannot be withdrawn from the hole; therefore make sure all of the toggles are in the correct position before insertion.**

4. Align the mounting plate carefully and hold in position while tightening toggle bolts. Pull toggle bolt toward you and turn clockwise to tighten. See Fig. 14.

Figure 12

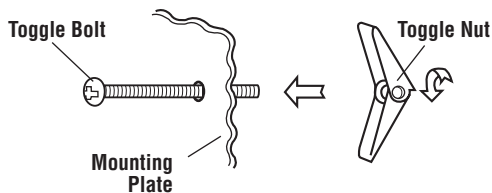


Figure 13

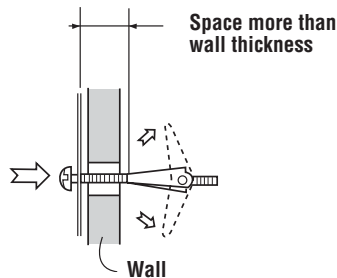
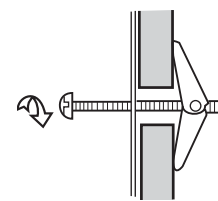


Figure 14



### MOUNTING OVEN TO THE WALL

Utilization of the carton may make installation easier.

1. Place carton upside down. See Fig. 15.
2. Using cutting line around the carton, cut into two pieces (A) and (B). See Fig. 16.

Figure 15

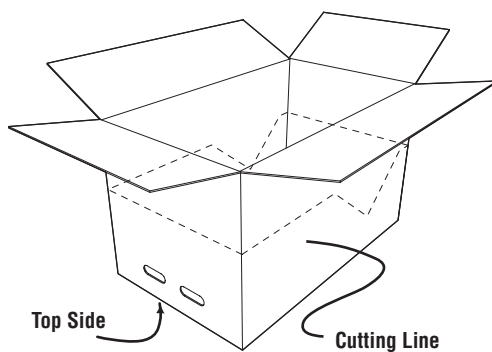
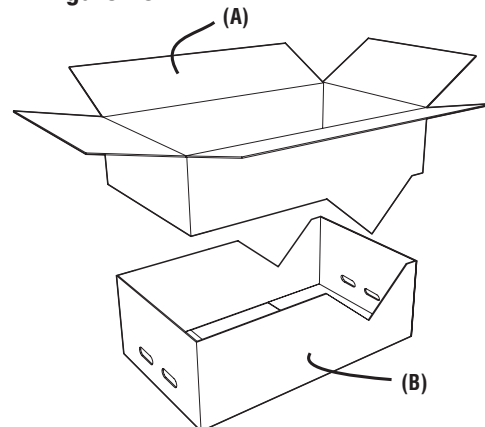
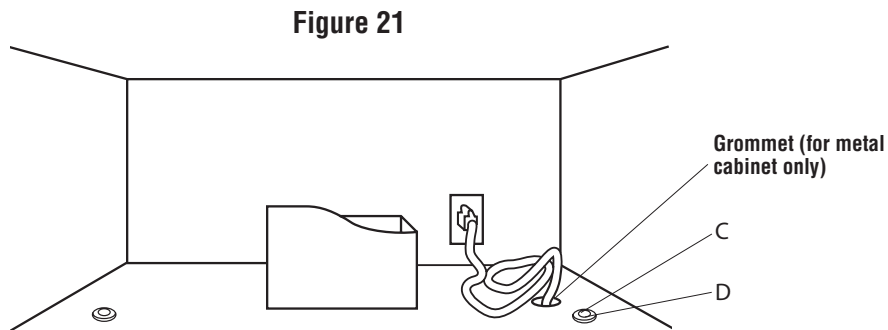
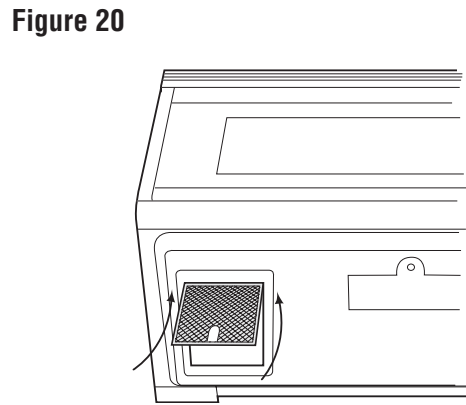
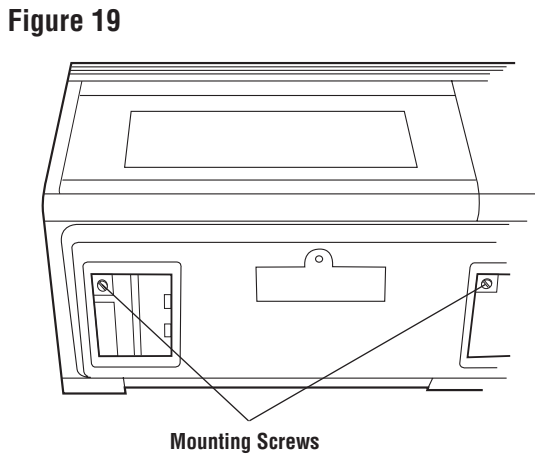
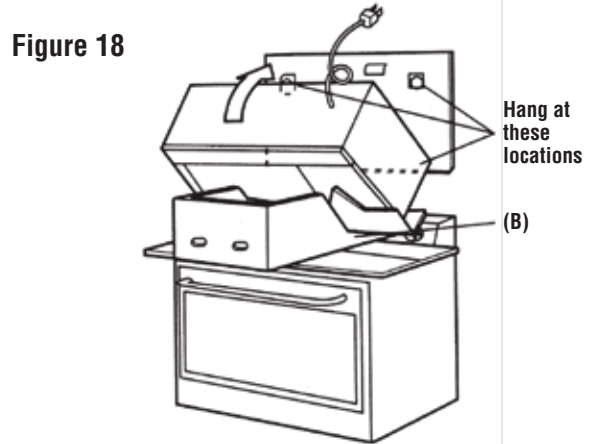
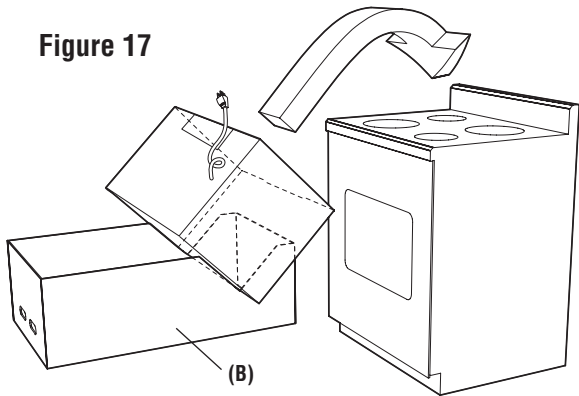


Figure 16



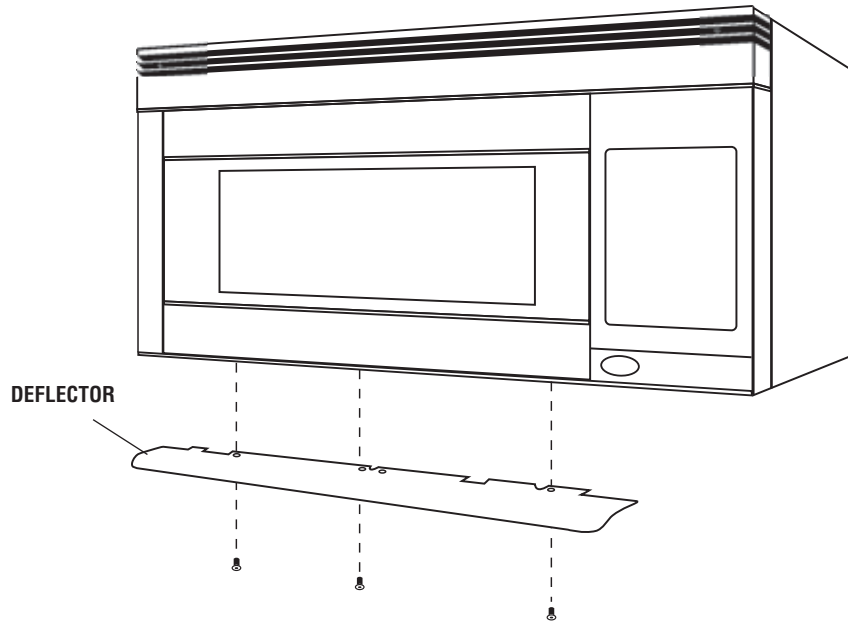
3. Place the oven and the carton portions together on the top of the range. See Fig. 17. Slide carton toward backsplash until it stops. Align the lower back edge of the oven with the mounting plate.
4. Thread the power supply cord through the hole made in the bottom of the top cabinet.
5. Hang the oven on the lower edge of the mounting plate. See Fig. 18. Take care that the power cord is able to clear the edge of the hole as the oven is rotated upward. (In the case of a non-recessed bottom in the top cabinet, the hole for the cord may need to be enlarged.) Remove the carton portions.
6. Tighten the two unit mounting screws located in the grease filter openings. See Fig. 19.
7. Install grease filters by fitting into the opening. Push back and up into place. See Fig. 20.
8. Use the two top cabinet screws (C) and two flat washers (D), supplied in the installation hardware, to attach the unit to the top cabinet. See Fig. 21.
9. Make a bundle of the power supply cord and place it inside the cabinet.





## MOUNTING DEFLECTOR

Secure the deflector with 3 tapping screws 4 x 12mm, packed in the installation hardware.



## CHECKLIST FOR INSTALLATION

---

1. Make sure the unit has been installed according to all of the installation instructions and the wall and top cabinet templates.
2. Plug in the power cord.
3. Keep the use and care manual.

# Notes

# Notes

***dacor***<sup>®</sup>

---