

EW, EWO, MW, MWO, PW, & PWO Warming Ovens

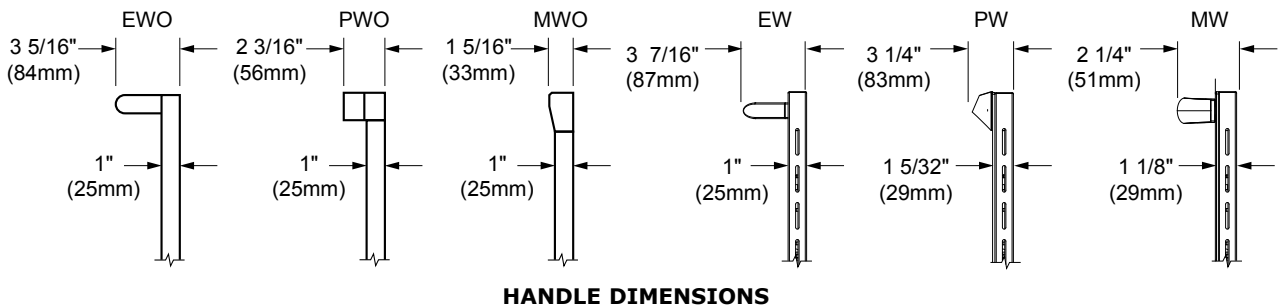
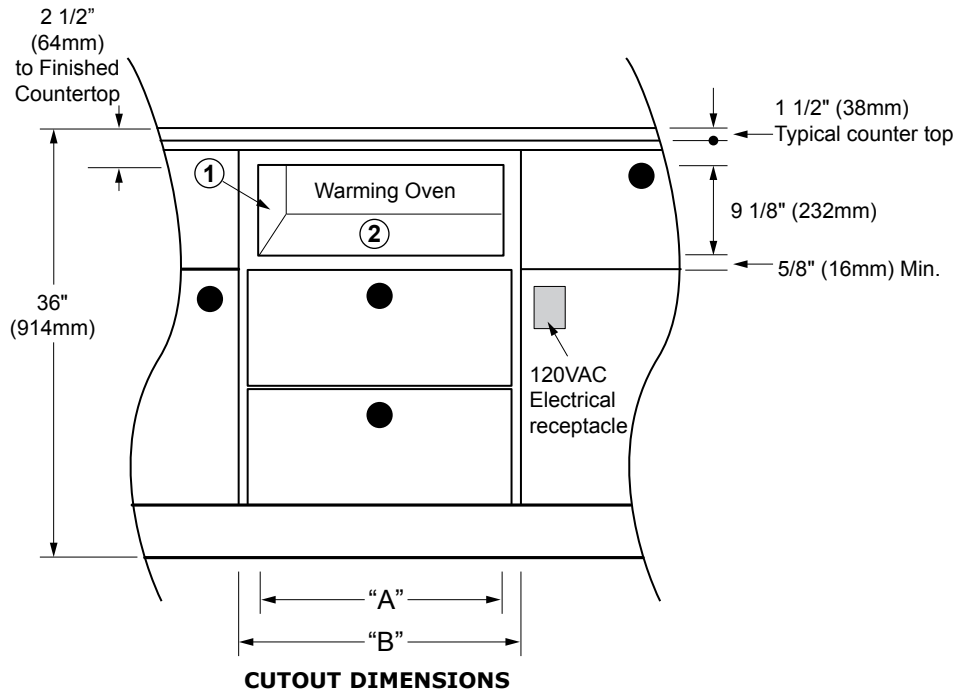


091605

24", 27", 30", 36" Wide,
Warming Ovens

1/2

**PLANNING
GUIDE**



NOTES:

1. 24" (610mm) minimum cabinet depth.
2. 3/4" (19mm) support platform (flush with cutout).
3. 1/8" (3mm) minimum clearance from appliance to adjacent cabinet doors/drawers.
4. See the Combination Installation (CI) Section if installing with a wall oven, microwave, or cooktop.
5. For stacked warming ovens, see CI.20.

Models	Dedicated Circuit Required	Total Connected Load	Approximate Shipping Weight
24"	120VAC, 60Hz, 15A (Breaker)	0.5kW (4A)	70 lbs.
27"			73 lbs.
30"			76 lbs.
36"		0.8kW (6.5A)	90 lbs.

Models	"A" Cabinet Cutout Width	"B" Min. Cabinet Width
24"	22 1/2" (572mm)	24 1/4" (616mm)
27"	25 1/2" (648mm)	27 1/4" (692mm)
30"		30 1/4" (768mm)
36"	34 3/8" (873mm)	36 1/4" (921mm)

EW, EWO, MW, MWO, PW, & PWO Warming Ovens

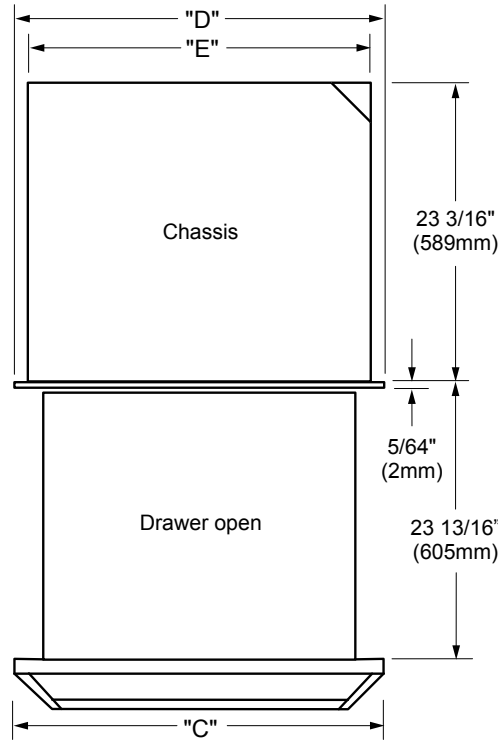
dacor
The life of the kitchen™

072905

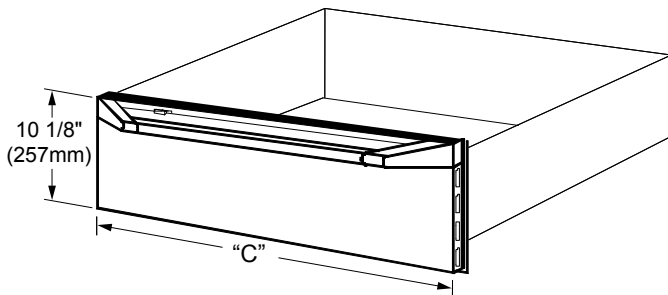
**24", 27", 30", 36" Wide,
Warming Ovens**

2/2

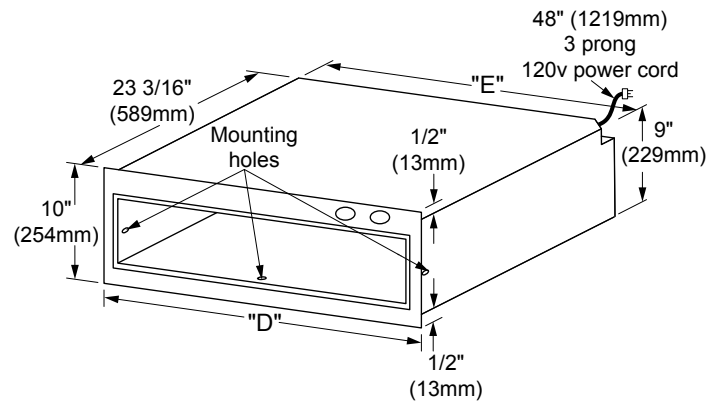
**PLANNING
GUIDE**



TOP VIEW



OVERALL DRAWER DIMENSIONS
(View with Drawer Removed)



OVERALL CHASSIS DIMENSIONS
(Chassis View Without Drawer)

Models	"C" Drawer Face Width	"D" Chassis Face Width	"E" Chassis Width	Oven Overlays
24"	23 15/16" (608mm)	23 5/8" (600mm)	22 3/16" (564mm)	3/4" (19mm) Each Side; 1/2" (13mm) Top; 1/2" (13mm) Bottom
27"	26 15/16" (684mm)	26 5/8" (676mm)	25 3/16" (640mm)	
30"	29 15/16" (760mm)	29 5/8" (752mm)		
36"	35 15/16" (913mm)	35 11/16" (906mm)	34 1/4" (870mm)	