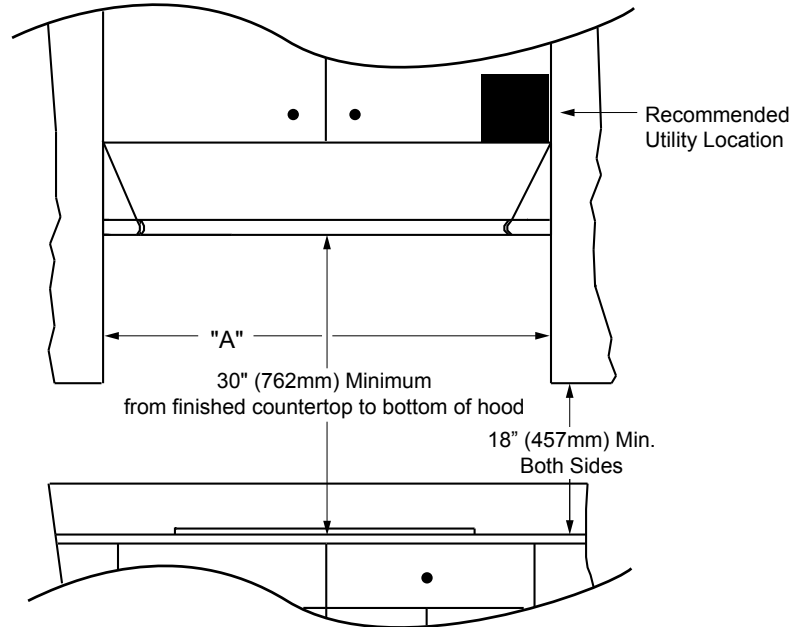
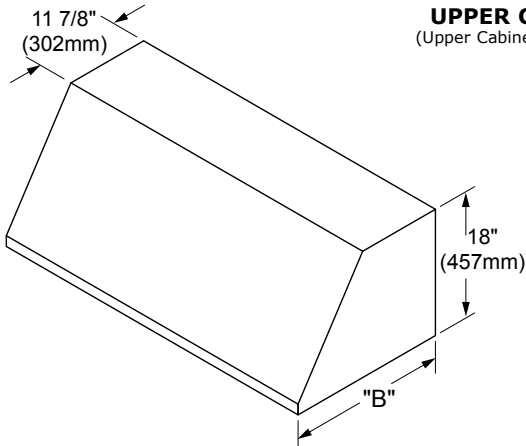


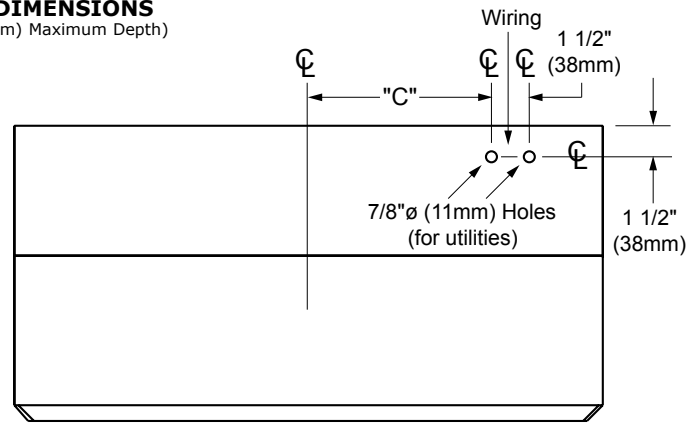
EHD & MHD Hoods



UPPER CABINET DIMENSIONS
(Upper Cabinets 13" (330mm) Maximum Depth)



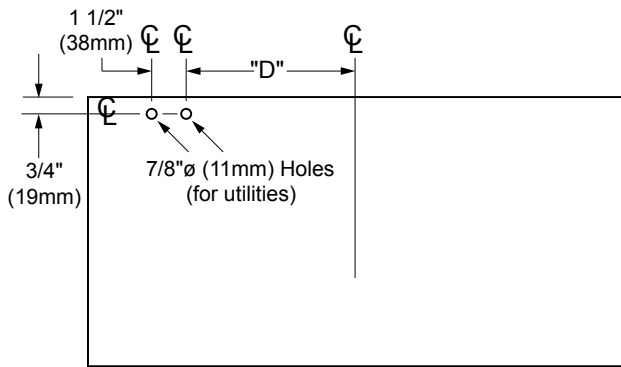
OVERALL DIMENSIONS



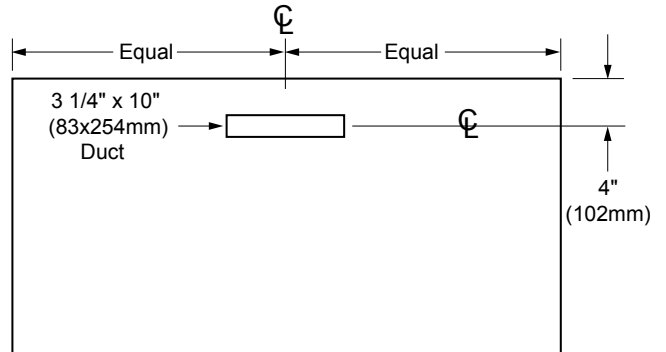
HOOD TOP VIEW ELECTRICAL LOCATION

Model No.	"A" Cutout Width	"B" Overall Depth	"C" Conduit Location	Dedicated Circuit Required	Total Connected Load	Approximate Shipping Weight
EHD3018	30" (762mm)	26 7/8" (683mm)	9" (229mm)	120VAC, 60Hz, 15A (Breaker)	1.4kW (12A)	98 lbs.
EHD3618	36" (915mm)		8" (203mm)			102 lbs.
EHD4218	42" (1067mm)		17" (432mm)			118 lbs.
EHD4818	48" (1219mm)		14 7/16" (367mm)			128 lbs.
EHD5418	54" (1372mm)		14 7/16" (367mm)			130 lbs.
EHDR3018	30" (762mm)		9" (229mm)			95 lbs.
EHDR3618	36" (915mm)		8" (203mm)			95 lbs.
EHDR4218	42" (1067mm)		17" (432mm)			101 lbs.
EHDR4818	48" (1219mm)		14 7/16" (367mm)			114 lbs.
EHDR5418	54" (1372mm)		14 7/16" (367mm)			123 lbs.
MHD3018	30" (762mm)		25 1/2" (648mm)			9" (229mm)
MHD3618	36" (915mm)	8" (203mm)		60 lbs.		
MHD4818	48" (1219mm)	14 7/16" (367mm)		103 lbs.		

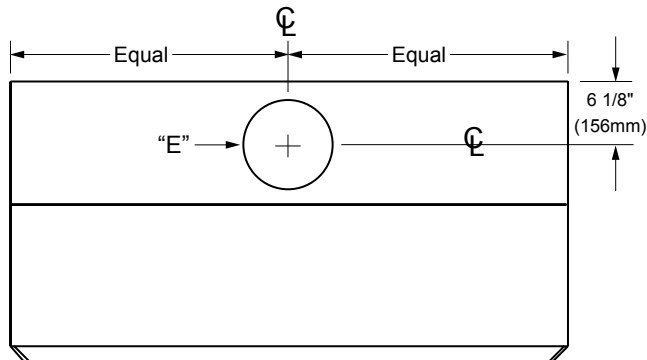
EHD & MHD Hoods



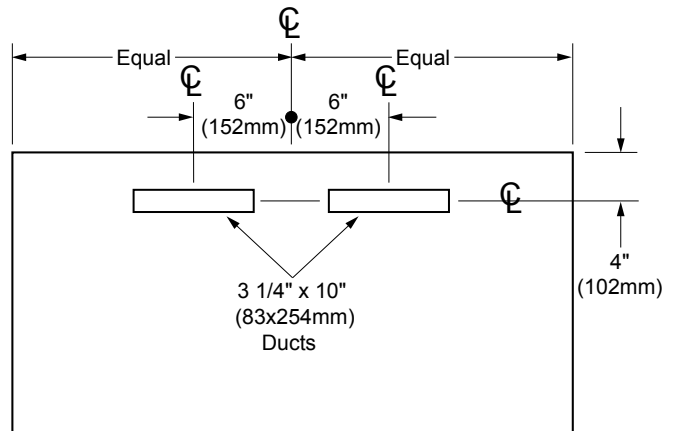
HOOD REAR VIEW OPTION ELECTRICAL LOCATION
(3018/3618 Models Only)



HOOD REAR VIEW HORIZONTAL EXHAUST DUCT LOCATION
(3018/3618 Models Only)



HOOD TOP VIEW EXHAUST LOCATION



HOOD REAR VIEW HORIZONTAL EXHAUST DUCT LOCATION
(4218/4818/5418 Models Only)

Model No.	"D" Conduit Location	"E" Duct Collar
EHD3018	9" (229mm)	8" (203mm)
EHD3618	8" (203mm)	
EHD4218	17" (432mm)	10" (254mm)
EHD4818	14 7/16" (367mm)	
EHD5418	14 7/16" (367mm)	
EHDR3018	9" (229mm)	8" (203mm)
EHDR3618	8" (203mm)	
EHDR4218	17" (432mm)	10" (254mm)
EHDR4818	14 7/16" (367mm)	
EHDR5418	14 7/16" (367mm)	
MHD3018	9" (229mm)	8" (203mm)
MHD3618	8" (203mm)	
MHD4818	14 7/16" (367mm)	10" (254mm)

NOTES:

- An Internal Blower is included with EHD/MHD models. Blower Ratings: 1200 CFM on EHD/MHD 54", 48" and 42", 600CFM on EHD/MHD 36" and 30"**

- Remote Blower is required for EHDR models.**