

ED24, ID24, MDH24, MDV24, PD24

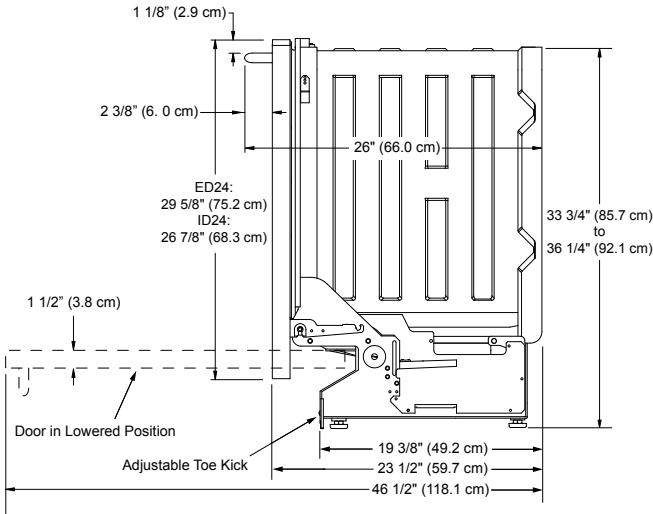


0628/07

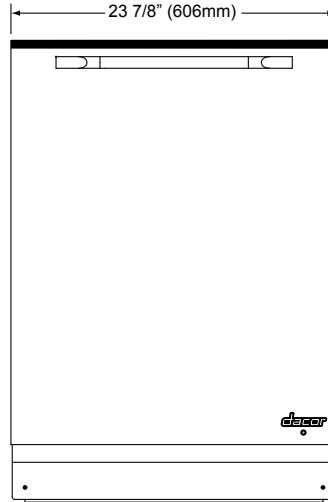
24" Wide Dishwashers

1/2

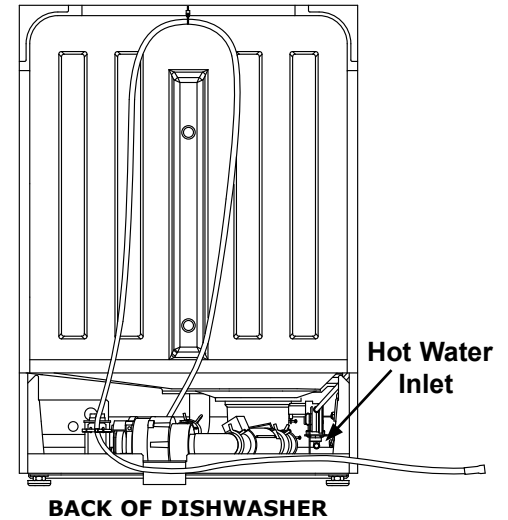
PLANNING GUIDE



OVERALL DIMENSIONS SIDE VIEW (ED Shown)

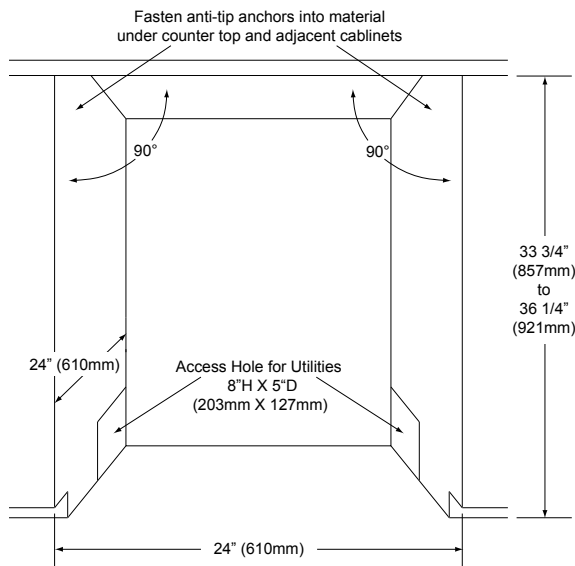


Tolerances: +1/16", -0, (+1.6mm, -0) unless otherwise stated
DIMENSIONS FRONT VIEW WITH DOOR CLOSED (ED Shown)

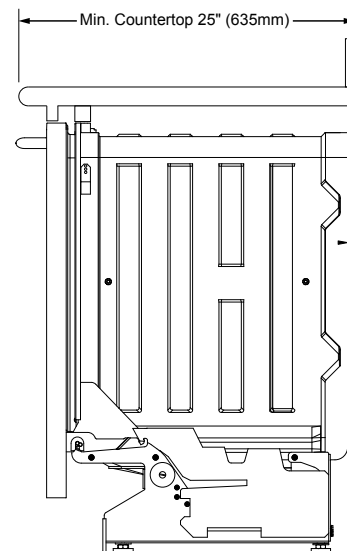


BACK OF DISHWASHER

Model No.	Dedicated Circuit Required	Water Pressure	Water Temperature
ED24, ID24, MDH24, MDV24, PD24	120VAC, 60Hz, 15A (Breaker)	20 to 120 psi (138 - 827 kPa)	120°F, minimum

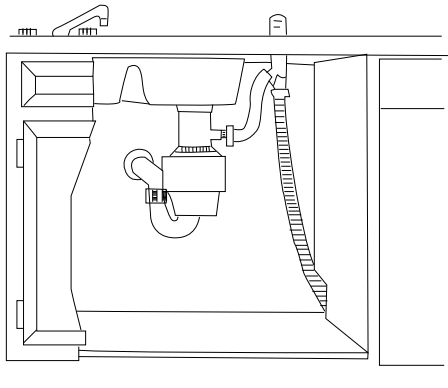


CUT-OUT FRONT VIEW

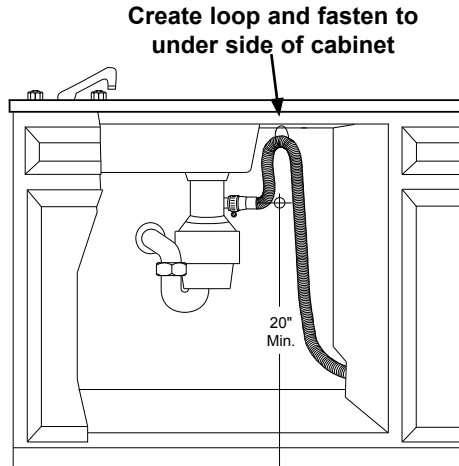


CABINET INSTALLATION SIDE VIEW

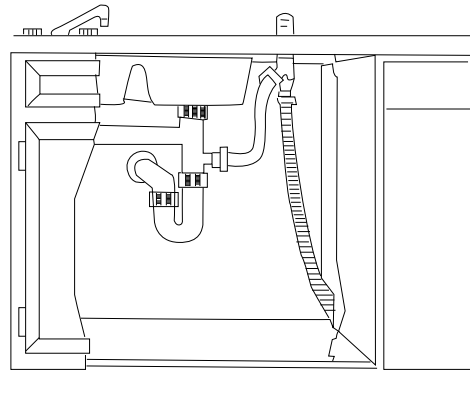
ED24, ID24, MDH24, MDV24, PD24



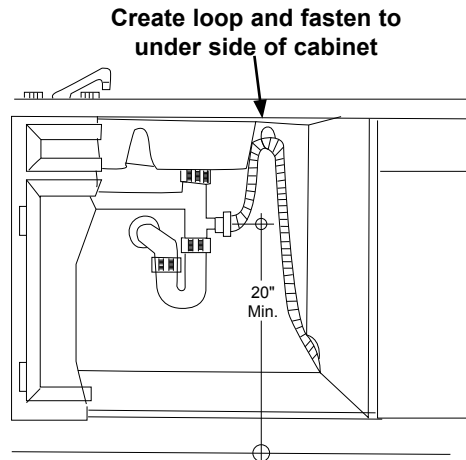
INSTALLATION WITH AIR GAP AND DISPOSAL



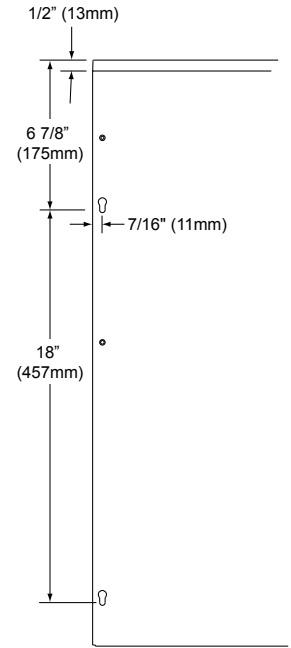
DISPOSAL INSTALLATION WITHOUT AIR GAP



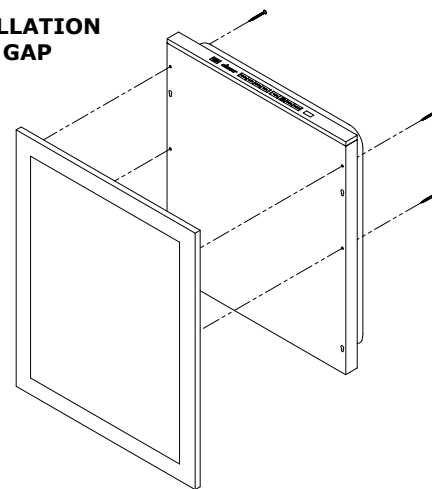
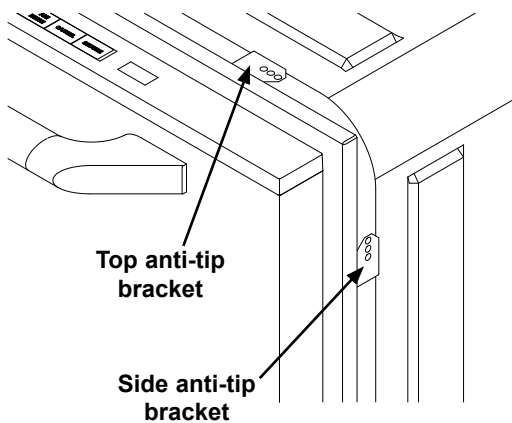
INSTALLATION WITH AIR GAP AND WASTE TEE



WASTE TEE INSTALLATION WITHOUT AIR GAP



CUSTOM PANEL HOLE ALIGNMENT (MODEL ID ONLY)



CUSTOM PANEL INSTALLATION (ID24 ONLY)

Model No.	Width	Maximum Height	Minimum Thickness	Maximum Thickness
ID24	23 7/8" (606mm)	30" (762mm)	5/8" (16mm)	3/4" (19mm)

CUSTOM PANEL OVERALL DIMENSIONS (ID MODEL ONLY)